

DCE33 Service Parts

The section contains the parts list for the DCE33. The DCE33 has been manufactured in either a White, Black or Stainless Steel finish.

A “D” series model was introduced in 2011 (as in DCE33A-1BD), it has a different timer and wiring diagram.

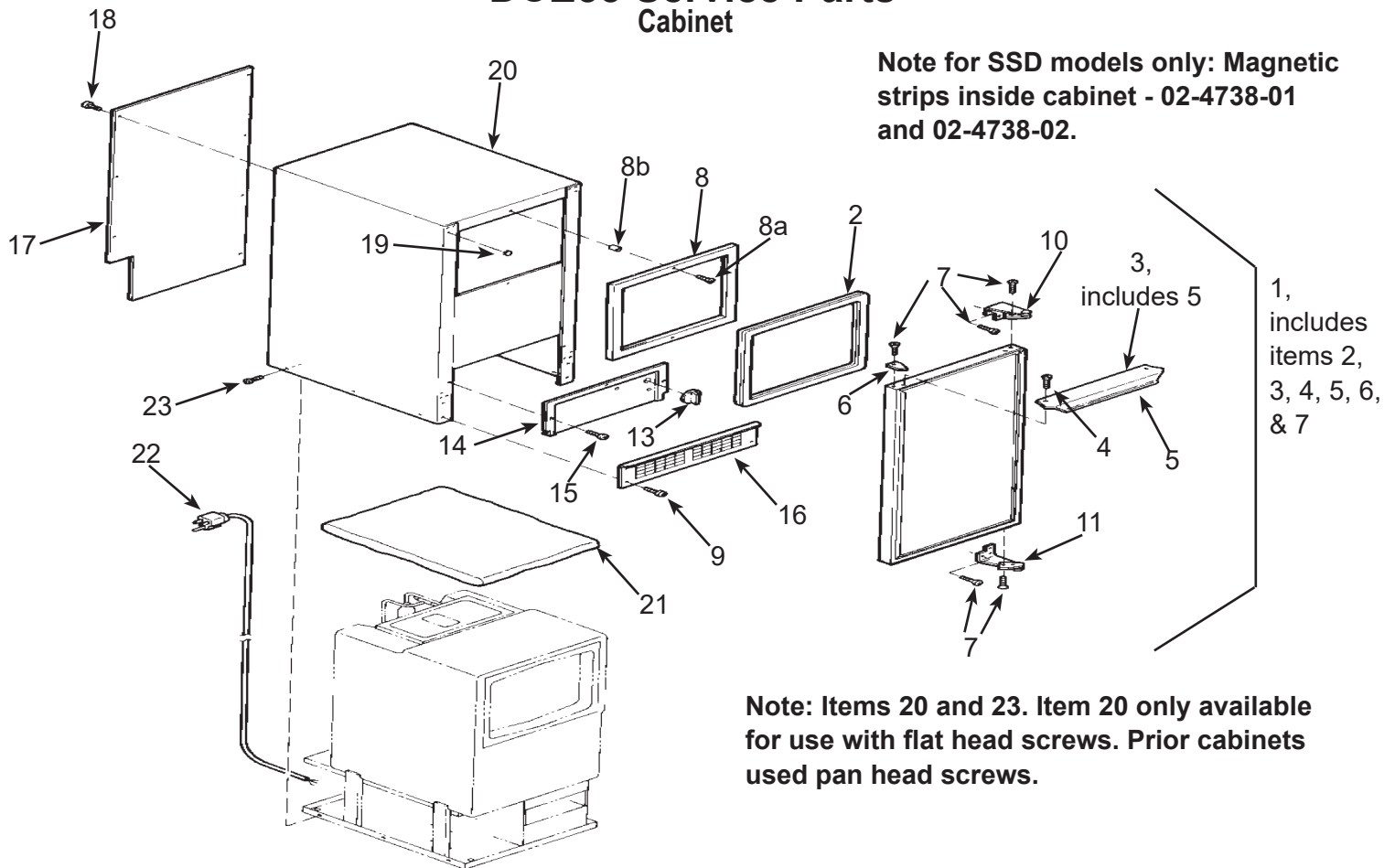
Please check the part description before ordering any part.

Contents

Cabinet	2
Pump, Evaporator, Storage Bin	3
Drain Pump Components	4
Condensing Unit	5
Reservoir	6
CONTROL BOX	7
CONTROL BOX	8
Compressor.	9
Kit Parts	10
Drain Pump Model Wiring Diagram - Prior to August 2000	11
Gravity Drain Model Wiring Diagram - Prior to August 2000	12
Drain Pump Model Wiring Diagram after August 2000 up to D series.	13
Gravity Drain Model Wiring Diagram after August 2000 up to D series	14
Wiring Diagram for DCE33A-1BD, DCE33PA-1BD, DCE33A-1SSD or DCE33PA-1SSD	15
Schematic Diagram DCE33A-1BD, DCE33PA-1BD, DCE33A-1SSD or DCE33PA-1SSD.	16

Parts lists and wiring diagrams are located in the center of the manual.

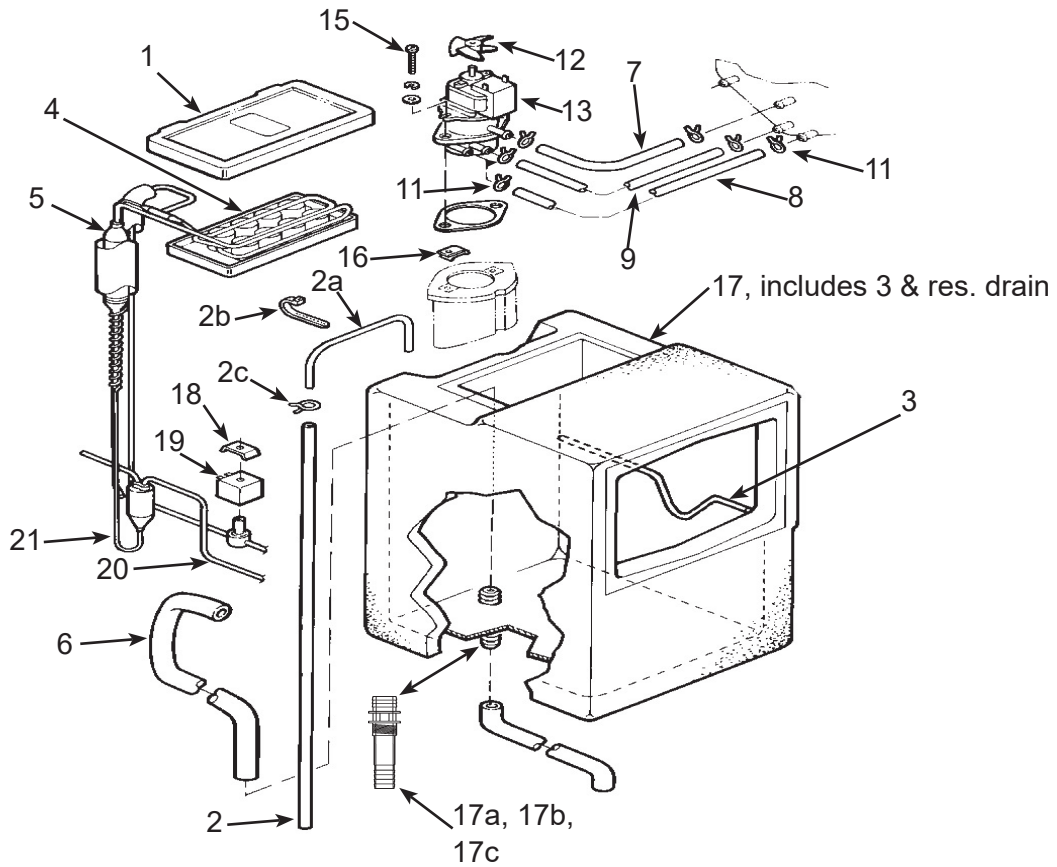
DCE33 Service Parts Cabinet



Item Number	Part Number	Description
1.	A32117-003	White Door Assembly
	A32117-010	Black door assembly
	A32117-011	Stainless door assembly
2.	13-0826-04	Gasket
3.	A29043-001	Alum. Door Handle (white)
	A29043-003	Alum. Door Handle, (black)
	15-0647-01	Alum. Handle, blank for SS
4.	03-1607-01	Head Screw (2)
5.	15-0730-01	Nameplate strip (white)
	15-0730-02	Nameplate strip (black)
6.	15-0648-01	Alum. Hinge Fill Plate, Rt.
	15-0648-02	Alum. Hinge Fill Plate, Lt.
7.	03-1418-24	Screw (10)
8.	13-0828-01	Gasket (white)
	13-0828-02	Gasket (grey)
8a	03-1419-08	Screw - not for ss
	03-1404-26	Screw for SS cabinets
8b	02-2701-01	Spacer
9.	03-1419-26	Screw, black
	03-1419-29	Screw, white
10.	15-0799-01	Hinge
11.	15-0799-02	Hinge
12.	02-3141-01	Knob, Bin Thermo
13.	A34877-002	Cont Box cover - white
	A34877-003	Cont Box cover - black
	A40162-001	Cont Box cover - SS
13a	17-3465-01	Bin level control label
14.	03-1404-07	Screw (6)
15.	02-2243-02	Kickplate - black
16.	A29102-001	Rear Panel
17.	03-1404-08	Screw (9)
18.	02-2481-01	Plug (6) (white)
	02-2481-02	Plug, black
	02-1874-11	Plug, nickel
19.	A38803-021	Cabinet (white)
	A38803-022	Cabinet (black)
		for flat head screws, use began w/sn 05111320015862
	A40159-001	Cabinet (stainless steel)
20.	A26787-001	Insulation (in Bag)
21.	12-2571-01	Power cord & wire harness
	12-1638-21	For D series
22.	03-1431-00	Screw, pan head
	03-1419-29	Flat head screw, white

DCE33 Service Parts

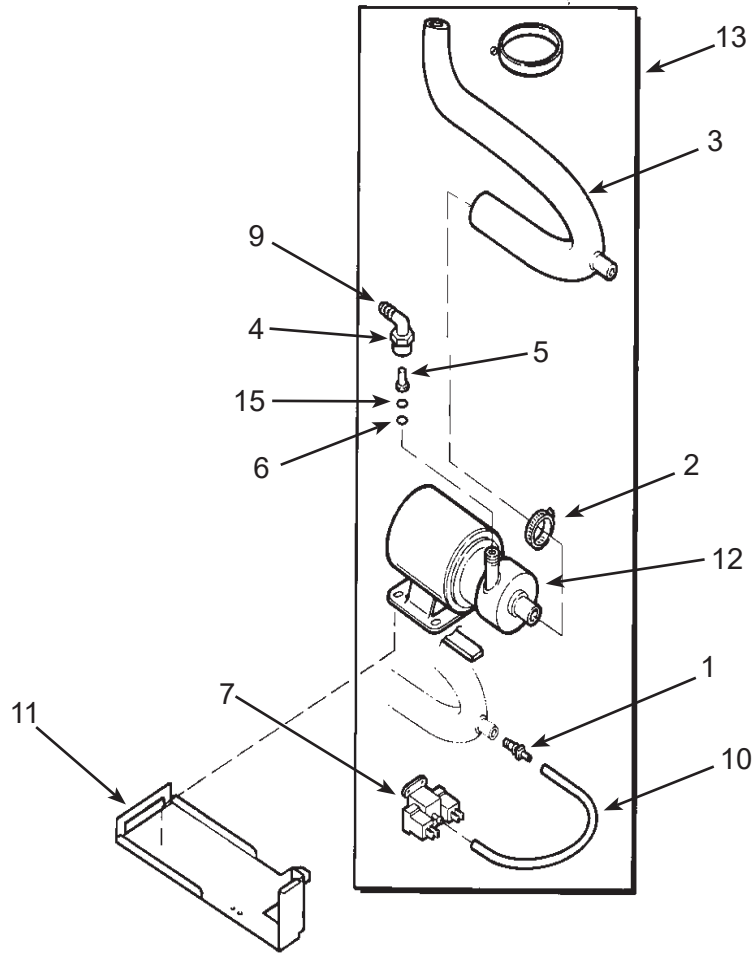
Pump, Evaporator, Storage Bin



Item Number	Part Number	Description		
1.	02-2274-01	Platen Cover	17.	A36930-020 Bin Assembly, includes reservoir drain hose & drain fittings
2.	13-0674-01	Tube, 37"	17a	02-3323-01 Drain fitting (foamed in bin)
2a	A27027-001	Copper inlet tube	17b	13-0617-13 O-Ring
2b	no number	Tube holder	17c	03-1394-05 Pal nut
2c	02-1727-01	Hose clamp	18.	12-2569-03 Clip, Hot Gas Valve
3.	A34816-001	Bin Thermostat bracket	19.	12-2569-02 Coil, Hot Gas Valve
4.	02-3489-20	Evaporator, does NOT include suction line and accumulator		replaces coils that have encapsulated wires
5.	A36699-020	Evaporator, Complete		11-0562-22 Coil, hot gas valve
6.	13-0899-01	Res. drain hose		replaces coils that have terminals
7.	13-0674-16	Tube, 5/8" Req. 4.25"	20.	11-0562-21 Hot Gas Valve kit
8.	13-0674-15	Tube, 1/2", Req 3.25"	21.	16-1219-02 Drier
9.	13-0674-15	Tube, 1/2", Req. 3-5/8"		
10.	02-1775-02	Clamp (2)	Not Shown	
11.	02-0534-02	Clamp (4)	22.	17-3854-01 Plastic Scoop
12.	02-1719-00	Fan Blade		08-0664-01 Metal Scoop
13.	A30625-001	Spray Pump	23.	02-4901-01 Evaporator Shield
14.	13-0687-00	Gasket		
15.	03-1719-01	Screw		
16.	no longer used	Speed Nut (2)		

DCE33 Service Parts

Drain Pump Components

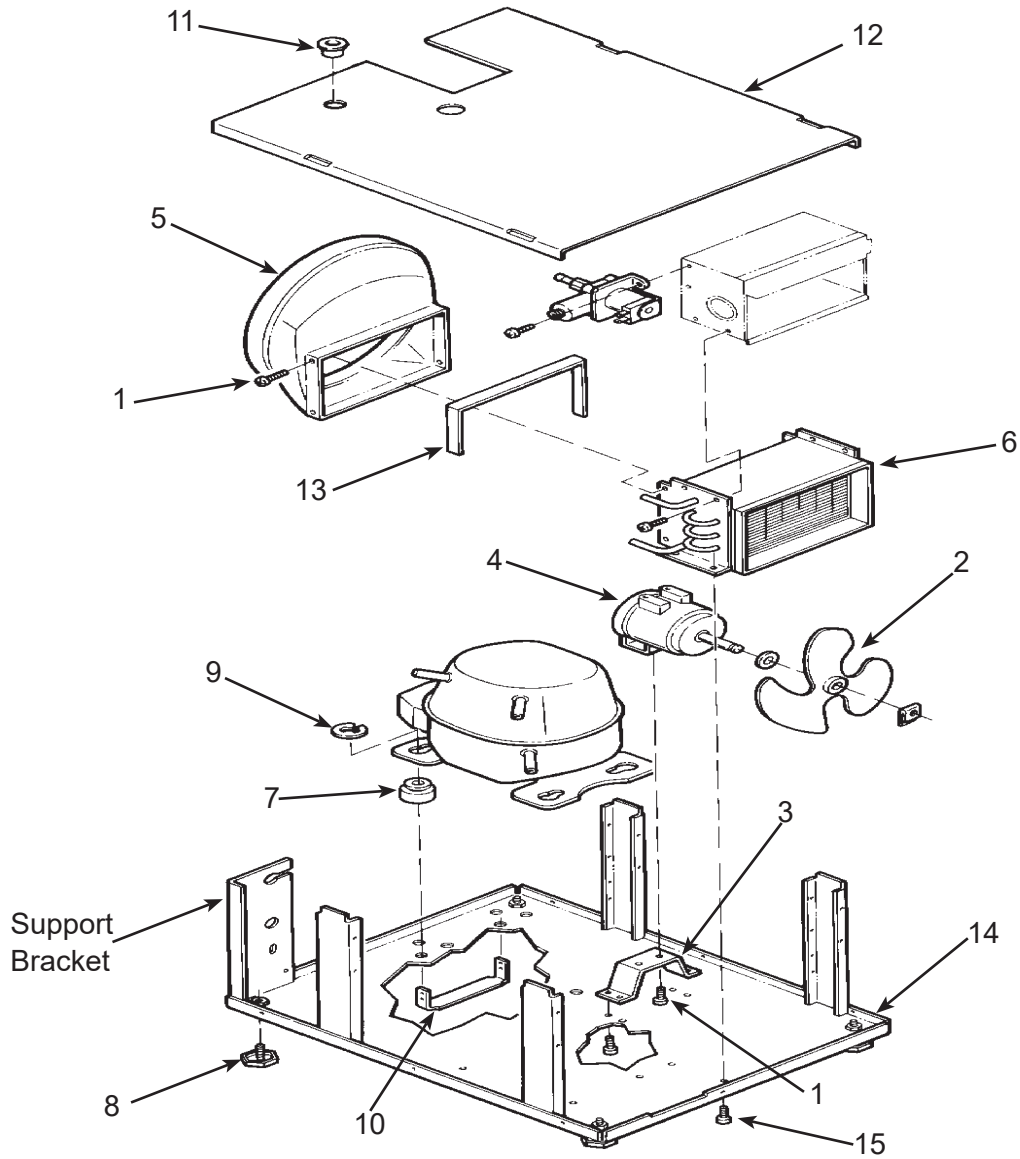


Item Number	Part Number	Description
1.	02-3406-01	Barbed connector .
2.	02-2814-11	Clamp
2a	12-2580-01	Harness
3.	02-3369-01	Inlet hose
4.	02-3522-01	Elbow
5.	02-3374-01	Check valve
6.	13-0617-08	O-ring
7.	11-0504-01	Pressure switch
8.	obsolete	Impeller & housing kit
9.	A37334-001	Discharge hose
10.	05-0591-01	Switch hose
11.	A36746-001	Mounting bracket
12.	12-2503-21*	Drain pump only; use to replace drain pumps or w/kit to convert.
13.	A36892-020*	Drain Pump Kit for early models, for all except DCE33A-1BD and DCE33A-1SSD
	A39885-001*	Drain pump kit, for current models, DCE33A-1BD or DCE33A-1SSD
14.	12-2580-01	Harness
15.	03-3904-01	Check valve spring

*The complete kit shouldn't be used for warranty purposes without an authorization number given from tech support.

DCE33 Service Parts

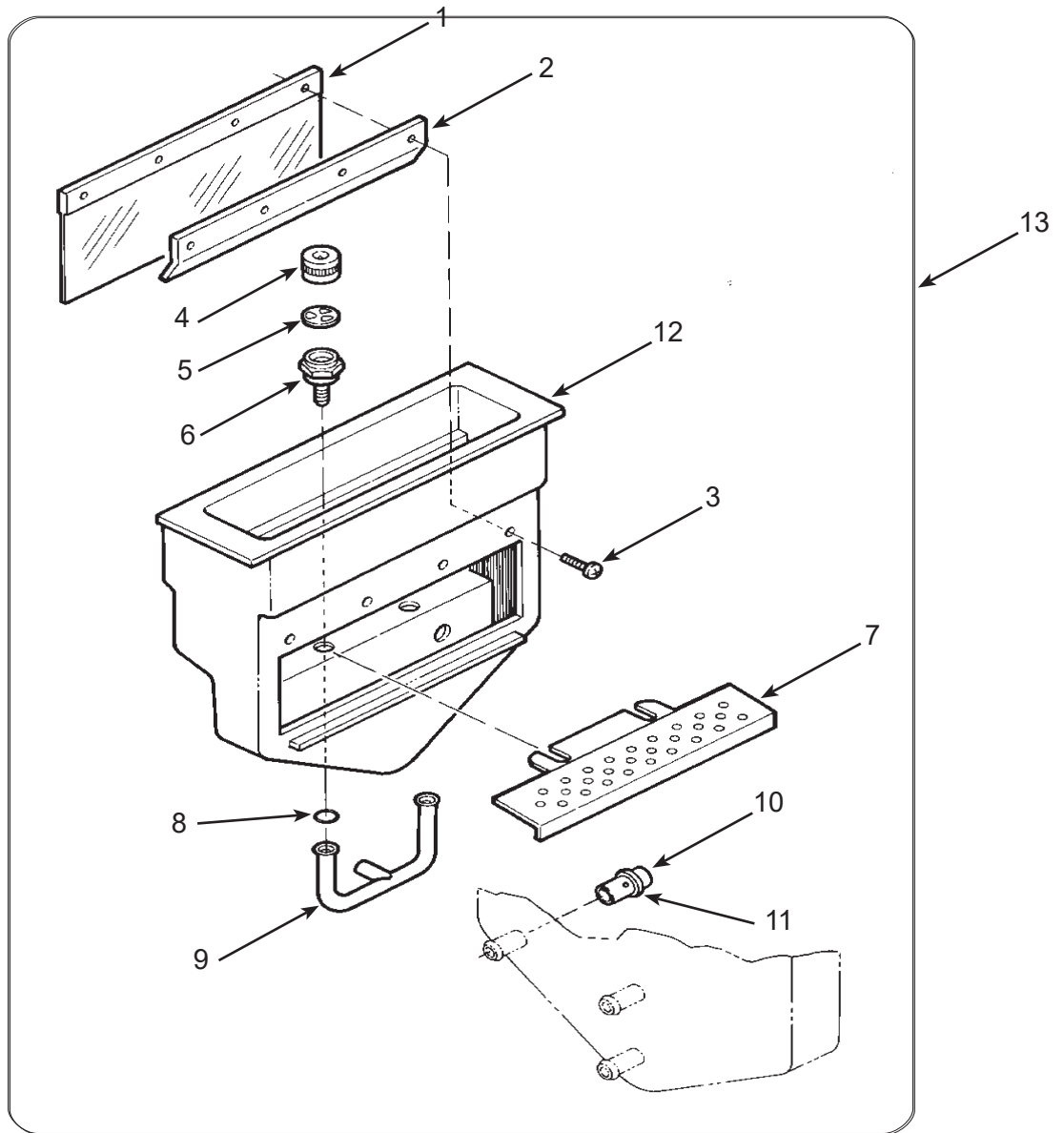
Condensing Unit



Item Number	Part Number	Description
1.	03-1404-08	Screw (4)
2.	18-3710-01	Fan Blade
3.	A28798-001	Fan Motor Bracket
4.	12-2396-21	Fan Motor
	18-8752-10	Blade pad
	18-8752-11	Blade nut
5.	02-2871-01	Fan Shroud
6.	18-3729-01	Condenser
7.	18-4700-28	Grommet
8.	03-1608-01	Leg Leveler
9.	03-1407-08	Washer
	03-3821-01	Clip
10.	A29015-001	Bracket
11.	12-1213-10	Bushing
12.	A37732-001	Upper base plate
13.	13-0609-00	Foam tape
14.	A28921-001	Lower base plate
	A38638-001	Lower base plate use began w/sn 05111320015862
		Support brackets part of item 12
	A40164-001	Base pan for -1SSD
15.	03-1531-01	Screw

DCE33 Service Parts

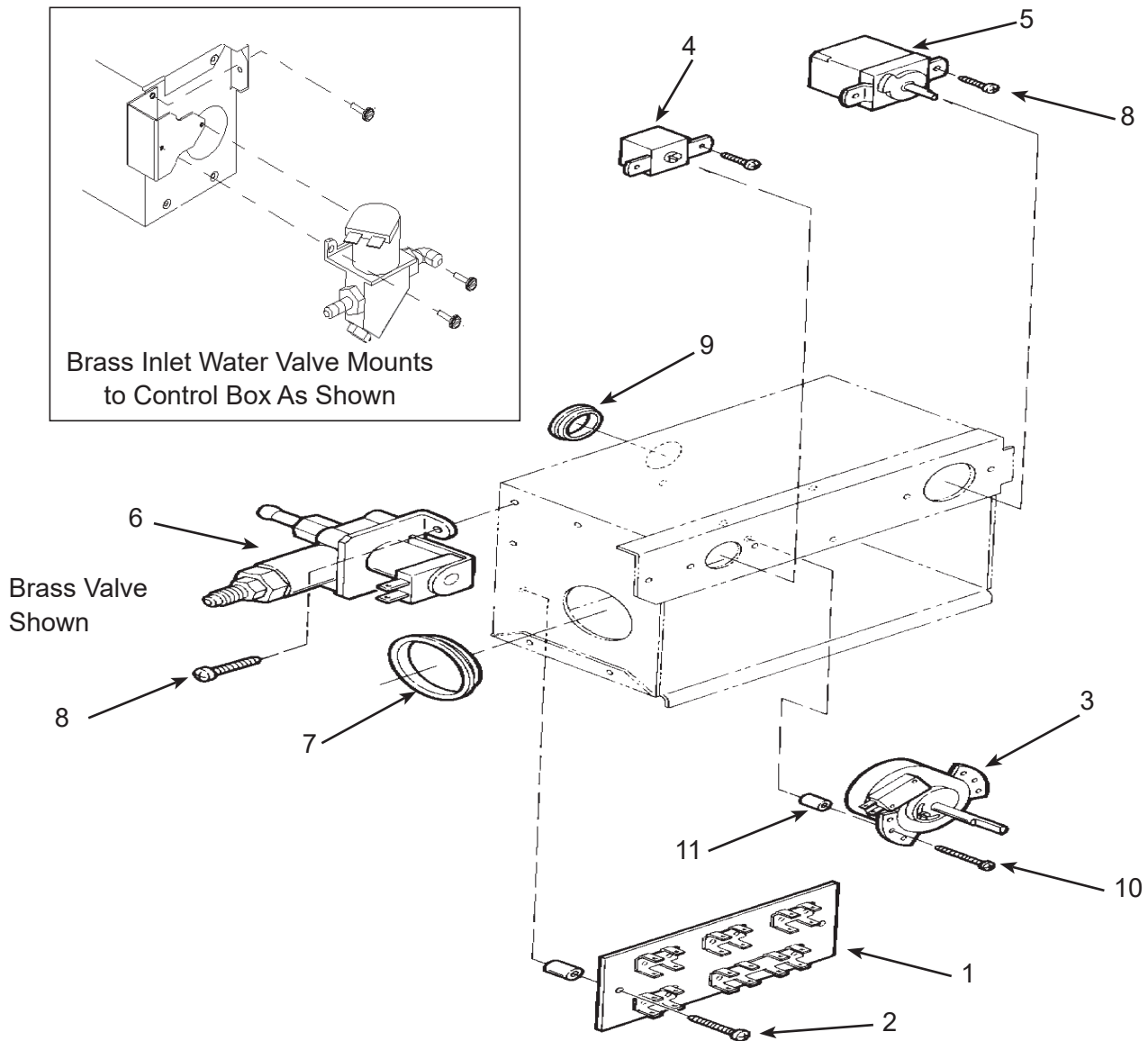
Reservoir



Item Number	Part Number	Description
1.	02-2479-21	Curtain
2.	A24155-001	Curtain stiffener
3.	03-1404-16	Screw
4.	02-1841-00	Nozzle
5.	A09543-000	Spinner
6.	02-1840-00	Jet Base
7.	A22518-000	Cube Chute
8.	13-0617-08	O-ring
9.	02-2704-01	Spray Bar Assembly
10.	05-0593-01	SS nipple
11.	13-0617-01	O-ring
12.	02-1923-01	Bin Insert
13.	A22532-001	Bin insert assy

DCE33 Service Parts

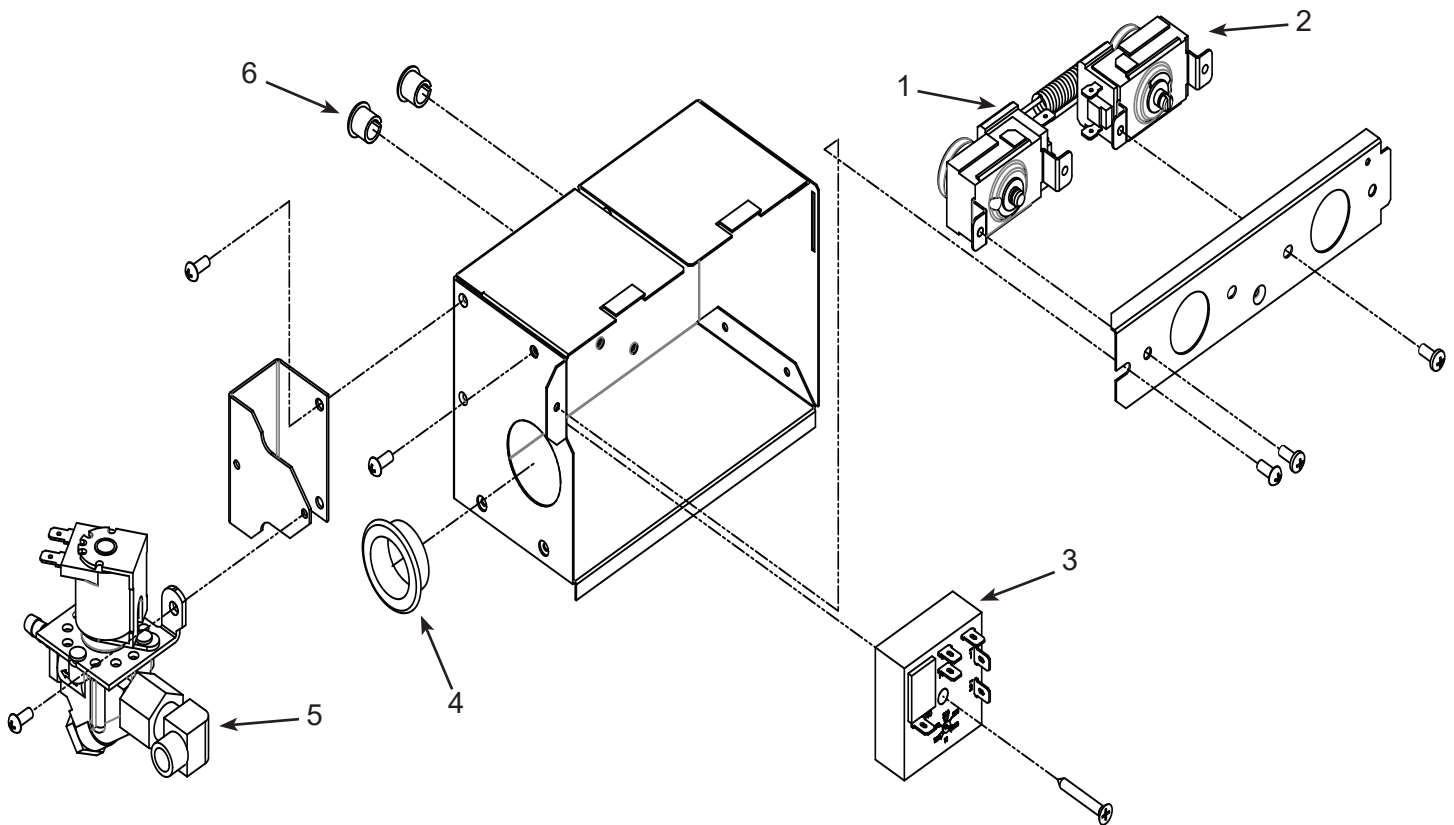
CONTROL BOX - all models except DCE33A-1BD, DCE33PA-1BD, DCE33A-1SSD or DCE33PA-1SSD



Item Number	Part Number	Description	Item Number	Part Number	Description
1.	A25981-001	Terminal Board	9.	12-1213-04	Snap bushing
2.	03-1638-01	Screw	10.	03-1638-02	Screw
3.	12-1980-21	Timer And Switch	11.	02-2242-06	Stand off
4.	11-0619-21	Cube Size Control	12.	02-2242-05	Stand off
5.	11-0616-21	Bin Level Control, incl 5a	Not Shown		
5a	02-4817-01	Knob for item 5 - Danfoss only	13.	A39918-001	Kit to retrofit electronic timer to prior model.
6.	12-2907-21	Inlet Water Valve Kit (includes new fittings)			
	12-2907-31	Coil only for brass valve			
	12-2410-31	Coil only for plastic valve			
7.	12-1213-12	Bushing			
8.	03-1403-17	Screw			

DCE33 Service Parts

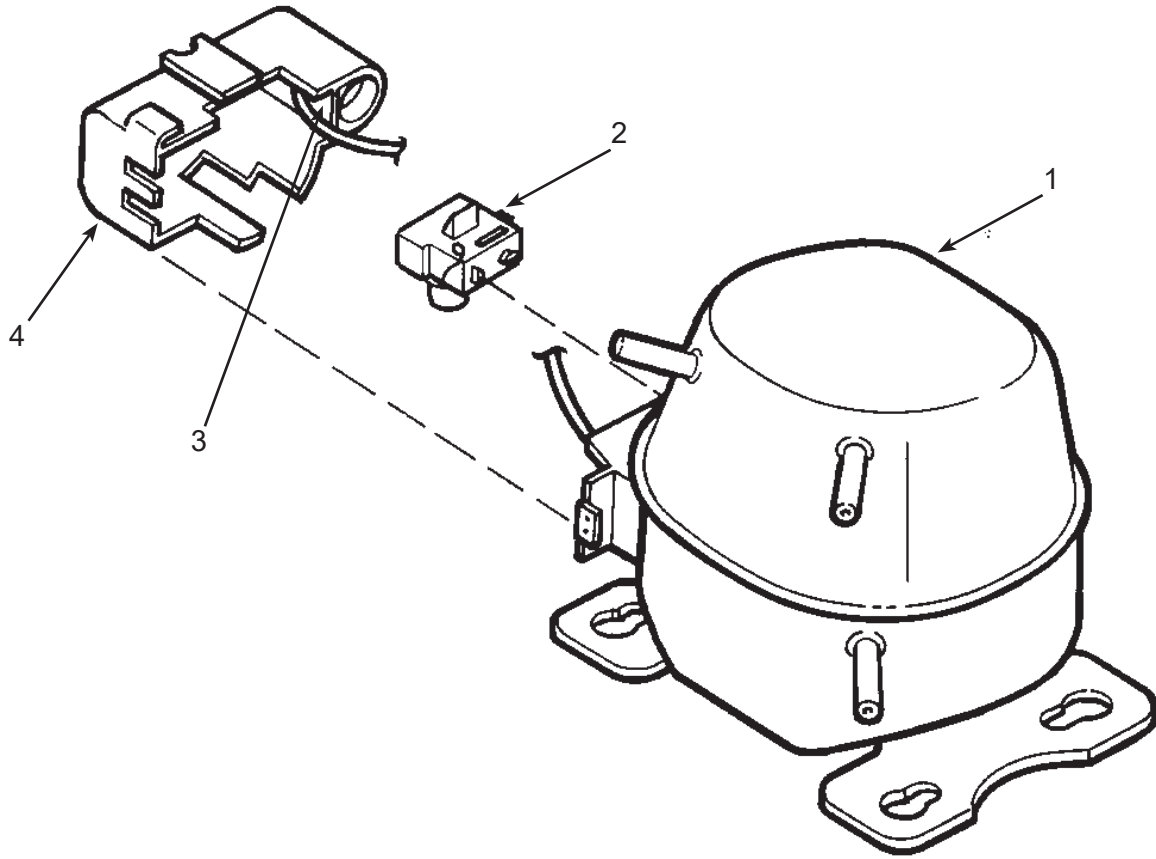
CONTROL BOX - for DCE33A-1BD, DCE33PA-1BD, DCE33A-1SSD or DCE33PA-1SSD



Item Number	Part Number	Description
1.	11-0619-21	Cube size control
2.	11-0616-21	Bin level control, includes 2a
2a	02-4817-01	Knob, for Danfoss thermostat only
3.	12-2985-01	Timer
	03-1419-16	Screw
4.	12-1213-12	Snap bushing
5.	12-2907-21	Inlet water valve kit, includes new fittings
	12-2907-31	Coil only for inlet water valve
6.	12-1213-04	Snap bushing

DCE33 Service Parts

Compressor



Item Number	Part Number	Description
1.	18-8776-21	Compressor Kit, Includes Relay, Overload, Instructions
2.	18-8776-51	Relay
3.	18-8776-52	Overload
4.	18-8776-54	Cover

DCE33 Service Parts

Kit Parts

K-SS Door Sleeve Kit

02-3846-01 Sleeve

02-3847-01 Handle

03-1403-50 Screw for handle

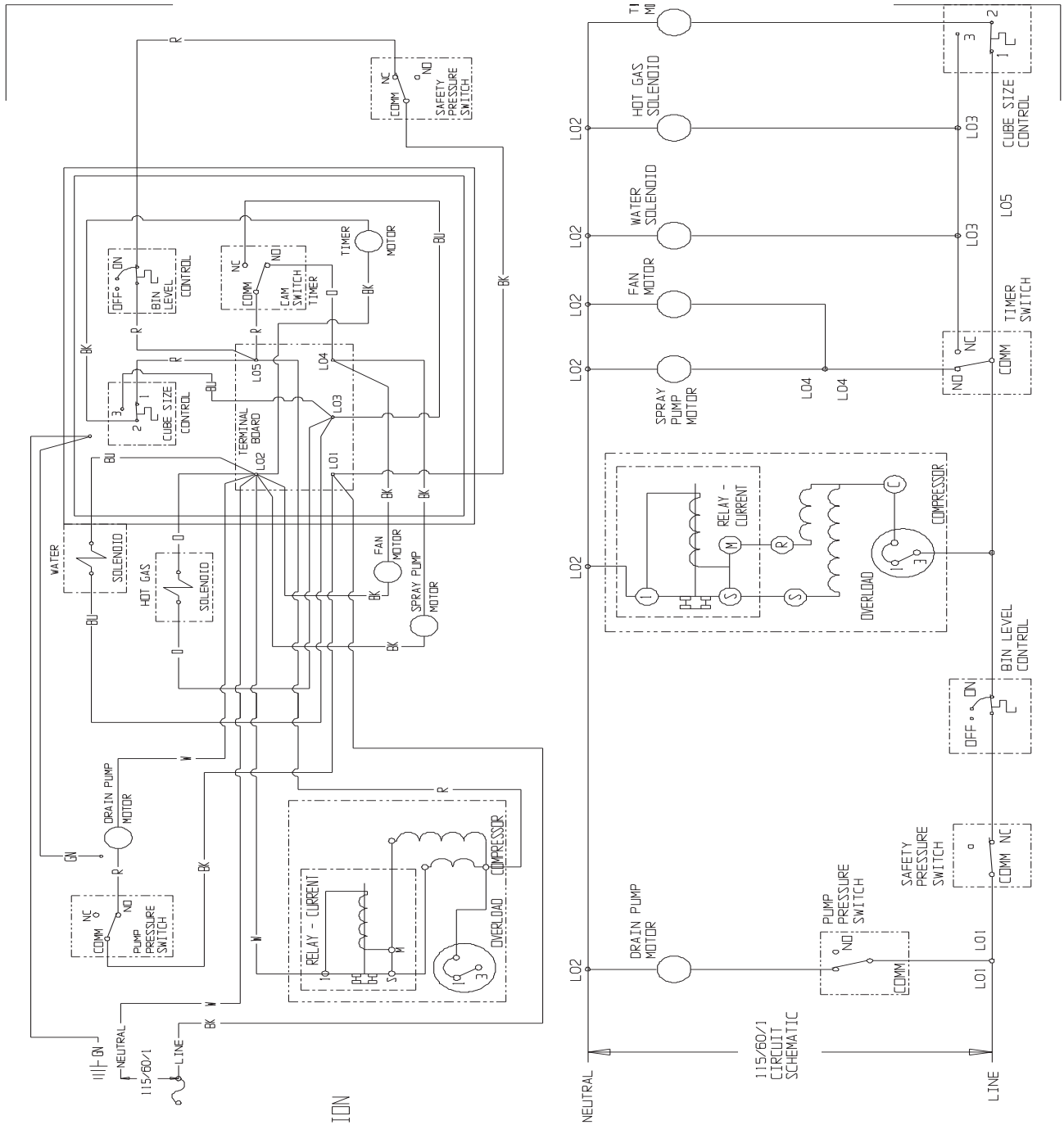
03-1407-06 Washer

03-1410-03 Lockwasher

03-3811-01 Screw

DCE33 Service Parts

Drain Pump Model Wiring Diagram - Prior to August 2000



A36943-001

THIS UNIT SHOWN IN THE TIMED
PORTION OF THE FREEZING CYCLE
WITH THE DRAIN PUMP IN OPERATION

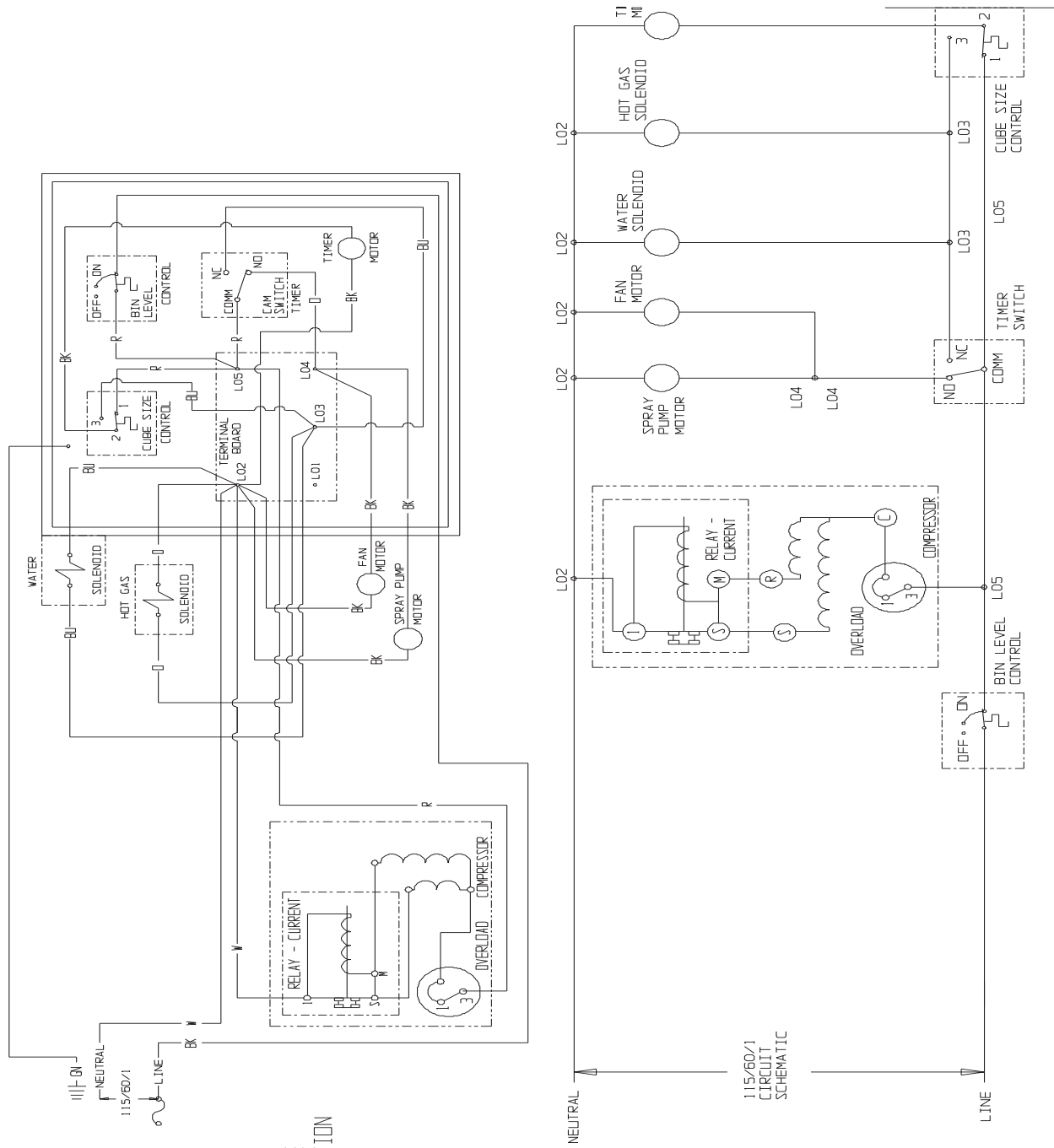
THIS UNIT MUST BE GROUNDED

- INSTALLATION INSTRUCTIONS**

 1. UNIT MUST BE INSTALLED LEVEL AND IN ACCORDANCE WITH LOCAL CODES.
 2. CONNECT A POTABLE WATER LINE TO 1/4" MPT ON WATER VALVE LOCATED IN THE FRONT OF THE MACHINE.
 3. ROUTE 3/8" I.D. FLEXIBLE HOSE FROM LEFT FRONT OF MACHINE PER INSTRUCTIONS FOR DCE33PA IN SERVICE MANUAL.
 4. CONNECT THE ELECTRICAL POWER CORD TO A PROPERLY WIRED AND GROUNDED RECEPTICAL.
 5. BY TURNING THE ON/OFF SWITCH/BIN LEVEL CONTROL DIAL IN A CLOCKWISE DIRECTION TO APPROXIMATE OPERATING RANGE MARKING, UNIT IS NOW IN AUTOMATIC OPERATION.

DCE33 Service Parts

Gravity Drain Model Wiring Diagram - Prior to August 2000



A36940-001

THIS UNIT SHOWN IN THE TIMED PORTION OF THE FREEZING CYCLE WITH THE DRAIN PUMP IN OPERATION

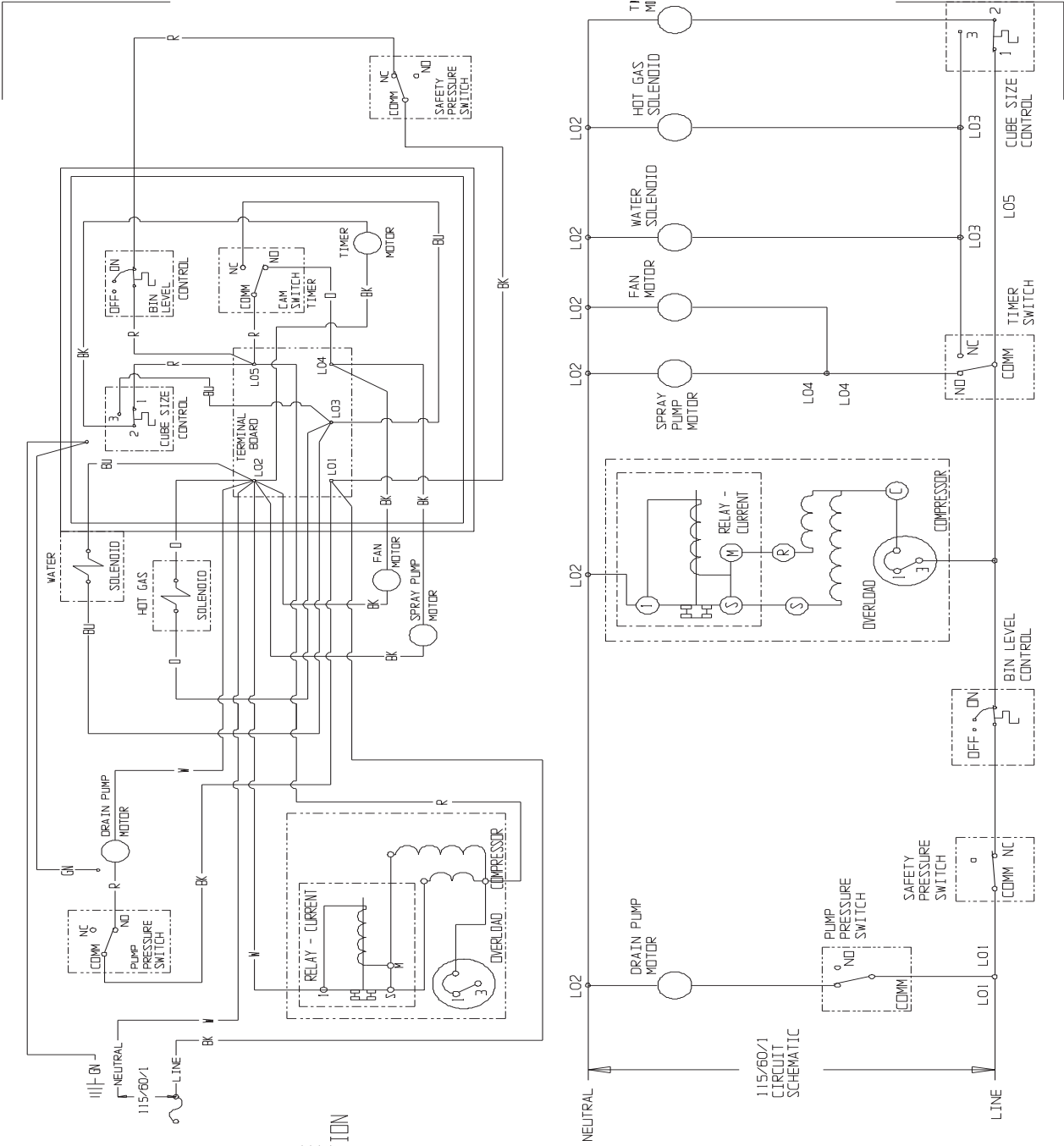
THIS UNIT MUST BE GROUNDED

INSTALLATION INSTRUCTIONS

1. UNIT MUST BE INSTALLED LEVEL AND IN ACCORDANCE WITH LOCAL CODES.
2. CONNECT A POTABLE WATER LINE TO 1/4" MPT ON WATER VALVE LOCATED IN THE FRONT OF THE MACHINE.
3. ROUTE 3/8" I.D. FLEXIBLE HOSE FROM LEFT FRONT OF MACHINE PER INSTRUCTIONS FOR DC33FA IN SERVICE MANUAL.
4. CONNECT THE ELECTRICAL POWER CORD TO A PROPERLY WIRED AND GROUNDED RECEPTICAL.
5. BY TURNING THE ON/OFF SWITCH/BIN LEVEL CONTROL DIAL IN A CLOCKWISE DIRECTION TO APPROXIMATE OPERATING RANGE MARKING, UNIT IS NOW IN AUTOMATIC OPERATION.

DCE33 Service Parts

Drain Pump Model Wiring Diagram after August 2000 up to D series



A36943-001

THIS UNIT SHOWN IN THE TIMED PORTION OF THE FREEZING CYCLE WITH THE DRAIN PUMP IN OPERATION

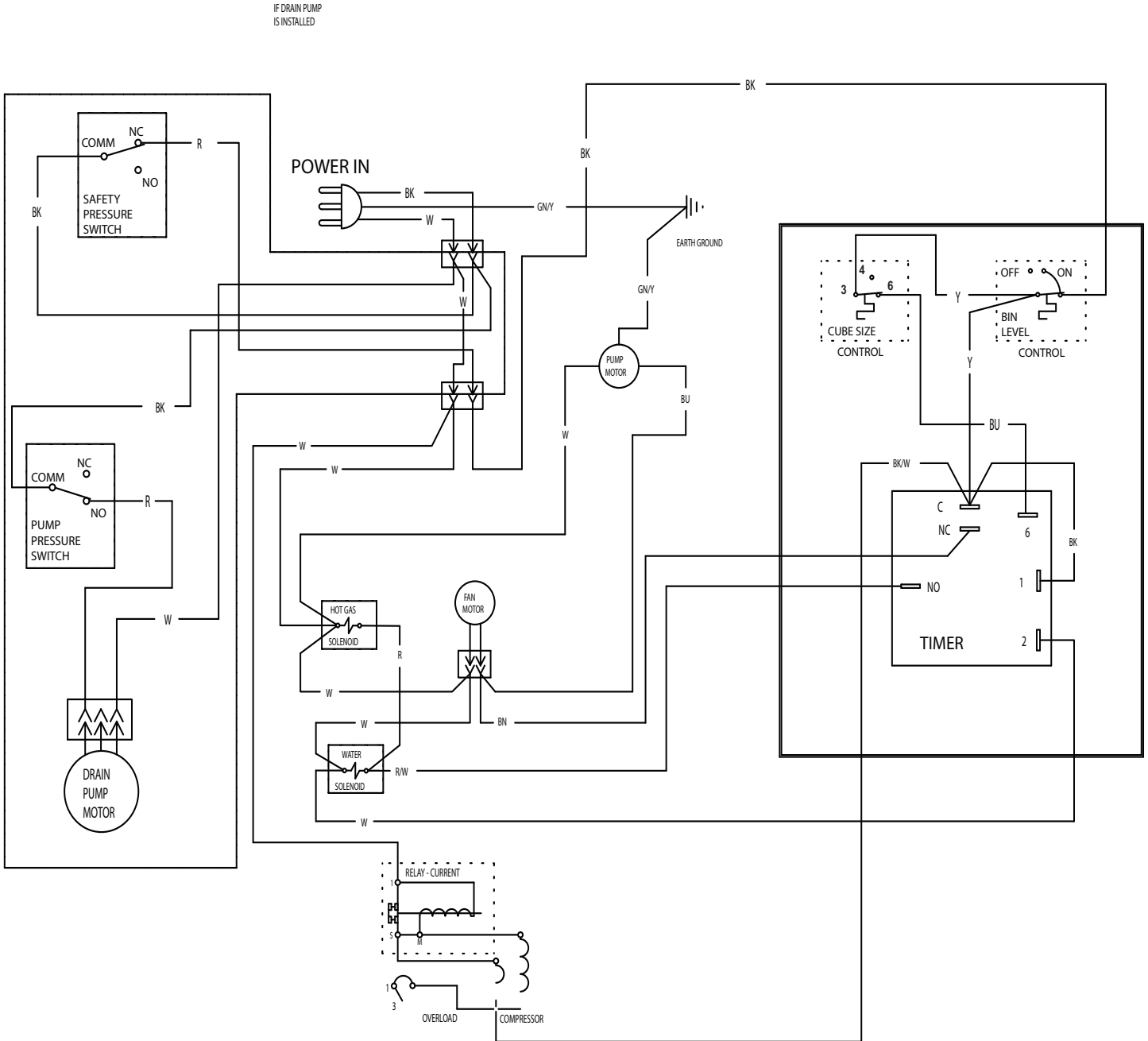
THIS UNIT MUST BE GROUNDED

INSTALLATION INSTRUCTIONS

1. UNIT MUST BE INSTALLED LEVEL AND IN ACCORDANCE WITH LOCAL CODES.
2. CONNECT A POTABLE WATER LINE TO 1/4" NPT ON WATER VALVE LOCATED IN THE FRONT OF MACHINE.
3. ROUTE 3/8" I.D. FLEXIBLE HOSE FROM LEFT FRONT OF MACHINE PER INSTRUCTIONS FOR DC33PA IN SERVICE MANUAL.
4. CONNECT THE ELECTRICAL POWER CORD TO A PROPERLY WIRED AND GROUNDED RECEPTICAL.
5. BY TURNING THE ON/OFF SWITCH/BIN LEVEL CONTROL DIAL IN A CLOCKWISE DIRECTION TO APPROXIMATE OPERATING RANGE MARKING, UNIT IS NOW IN AUTOMATIC OPERATION.

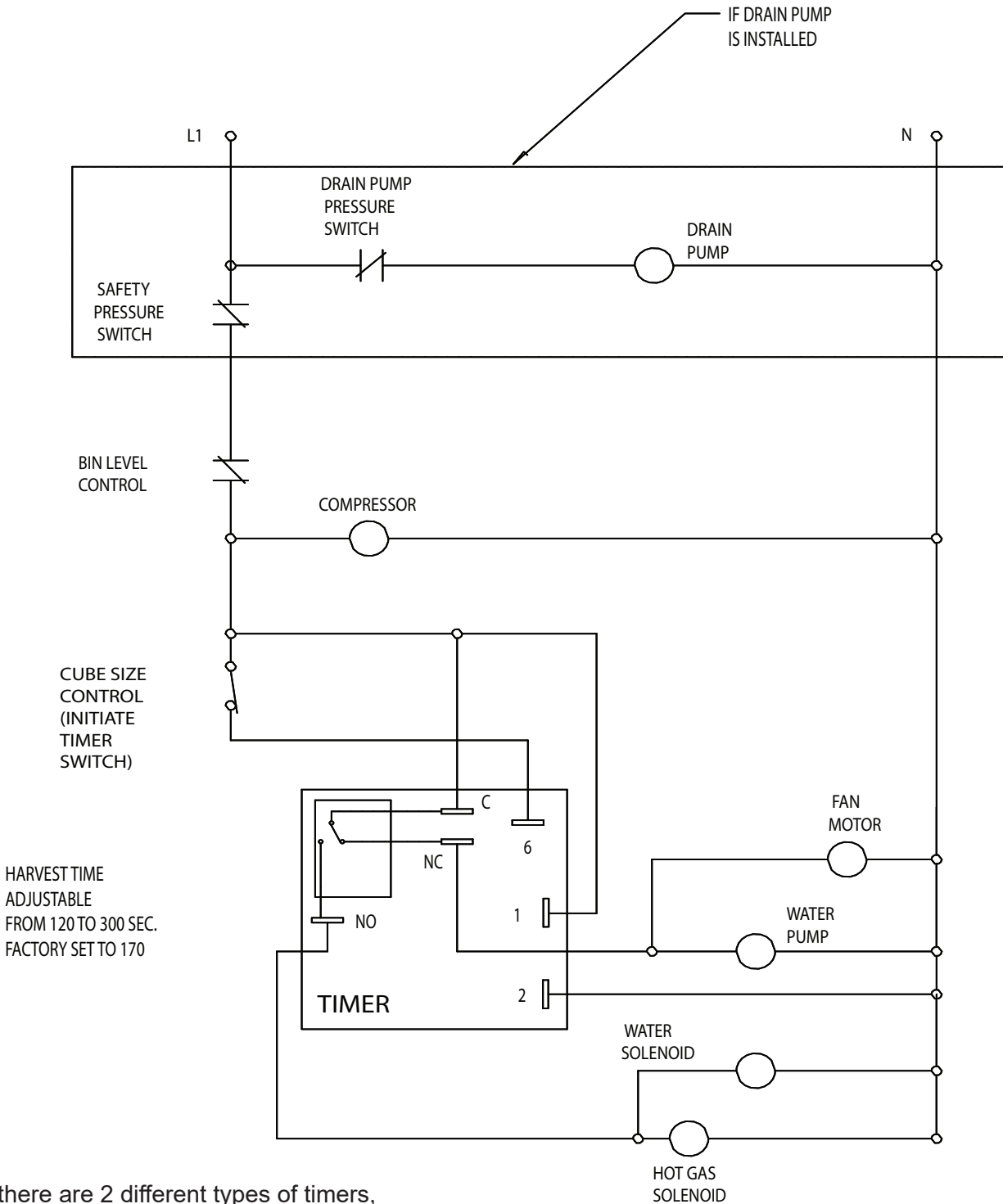
DCE33 Service Parts

Wiring Diagram for DCE33A-1BD, DCE33PA-1BD, DCE33A-1SSD or DCE33PA-1SSD



DCE33 Service Parts

Schematic Diagram DCE33A-1BD, DCE33PA-1BD, DCE33A-1SSD or DCE33PA-1SSD



NOTE there are 2 different types of timers, electronic timers (models ending in "D") and electromechanical timers (white plastic cam type). For electronic timers connect as follows; Yellow to terminal 3 & Blue to terminal 6 (note term 4 is not used). For electromechanical timers (white cam type) connect as follows; Black to terminal 3, Red to terminal 6 and Blue to terminal 4.

SWITCHES ON THIS UNIT SHOWN IN TIMED PORTION OF THE FREEZE CYCLE WITH DRAIN PUMP IN OPERATION

SCOTSMAN ICE SYSTEMS

101 Corporate Woods Parkway

Vernon Hills, IL 60061

800-726-8762

www.scotsman-ice.com