

DRC033 Service Parts

The section contains the parts list for the DRC033. The DRC033 has been manufactured in a Stainless Steel finish.

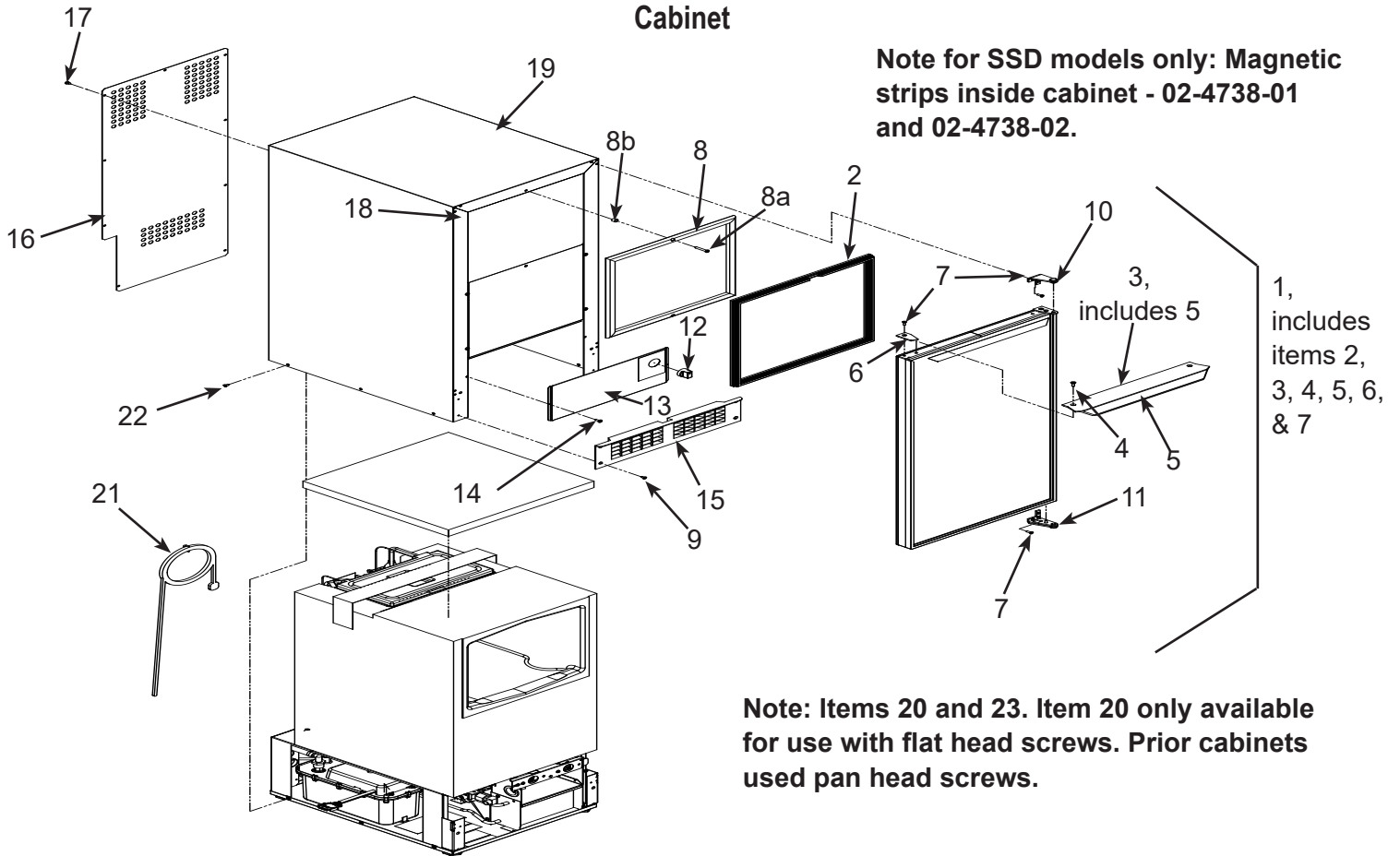
Please check the part description before ordering any part.

Contents

Cabinet	2
Pump, Evaporator, Storage Bin	3
Drain Pump Components	4
Condensing Unit	5
Reservoir	6
CONTROL BOX	7
Compressor	8
Kit Parts	9
Wiring Diagram	10
Schematic Diagram	11

Parts lists and wiring diagrams are located in the center of the manual.

DRC033 Service Parts Cabinet

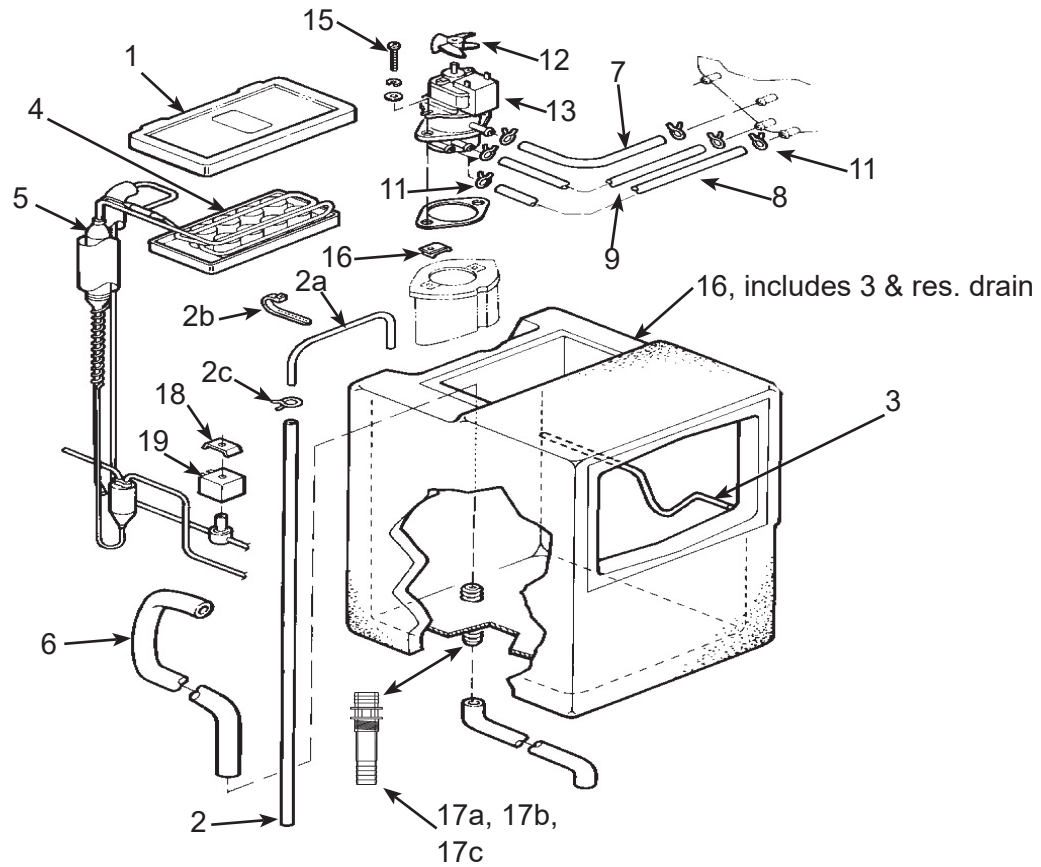


Part Number	Description
1.	A28866-012 Stainless door assembly
2.	13-0609-00 Gasket
3.	15-0647-01 Alum. Handle, blank for SS
4.	03-1607-01 Head Screw (2)
5.	15-0817-01 Nameplate strip
6.	15-0648-01 Alum. Hinge Fill Plate, Rt.
	15-0648-02 Alum. Hinge Fill Plate, Lt.
7.	03-1418-24 Screw (10)
8.	13-0828-02 Gasket
8a	03-1404-14 Screw
8b	02-2701-01 Spacer
9.	03-1419-26 Screw
10.	15-0799-01 Hinge
11.	15-0799-02 Hinge
12.	02-4817-01 Knob, Bin Thermo
13.	A40162-001 Cont Box cover - SS
13a	17-3465-01 Bin level control label
14.	03-1404-07 Screw (6)
15.	02-2243-02 Kickplate
16.	A41774-001 Rear Panel
17.	03-1404-08 Screw (9)

Part Number	Description
18.	02-1875-13 Plug
19.	A40159-001 Cabinet (stainless steel)
20.	19-0633-01 Insulation (in Bag)
21.	12-1638-21 Power cord & wire harness
22.	03-1404-14 Screw, pan head

DRC033 Service Parts

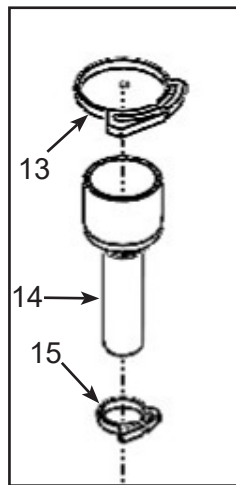
Pump, Evaporator, Storage Bin



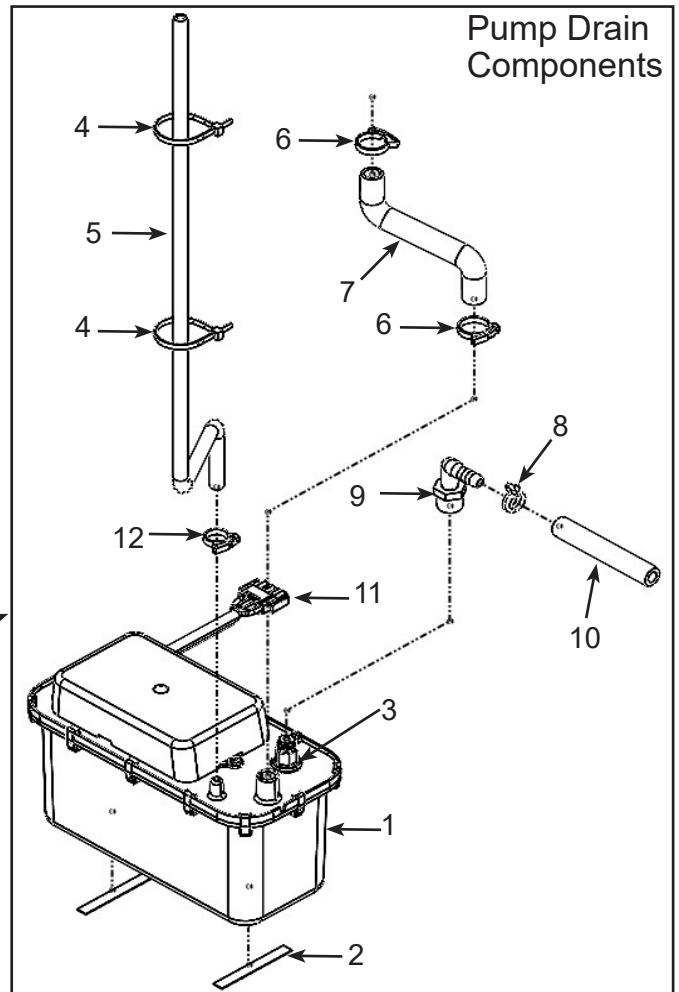
Part Number	Description	Part Number	Description
1.	02-2274-01 Platen Cover	16.	A29092-004 Bin Assembly, includes reservoir drain hose & drain fittings
2.	13-0674-01 Tube, 37"	17a	02-3323-01 Drain fitting (foamed in bin)
2a	A27027-001 Copper inlet tube	17b	13-0617-13 O-Ring
2b	A27028-001 Tube holder	17c	03-1394-05 Pal nut
2c	03-3961-01 Hose clamp	17.	12-2569-03 Clip, Hot Gas Valve
3.	A40167-001 Bin Thermostat bracket	18.	11-0562-21 Hot Gas Valve kit
4.	02-3489-20 Evaporator, does NOT include suction line and accumulator	19.	16-1219-02 Drier
5.	A36699-020 Evaporator, Complete		Not Shown
6.	A37334-001 Res. drain hose	20.	02-3070-01 Plastic Scoop
7.	13-0674-16 Tube, 5/8" Req. 4.25"	21.	02-4901-01 Evaporator Shield
8.	13-0674-15 Tube, 1/2", Req 3.25"		
9.	13-0674-15 Tube, 1/2", Req. 3-5/8"		
10.	02-1775-02 Clamp (2)		
11.	02-0534-02 Clamp (4)		
12.	18-3710-01 Fan Blade		
13.	A30625-001 Spray Pump		
14.	13-0687-00 Gasket		
15.	03-1719-01 Screw		

DRC033 Service Parts

Drain Pump Components



Gravity Drain Components



Part Number Description

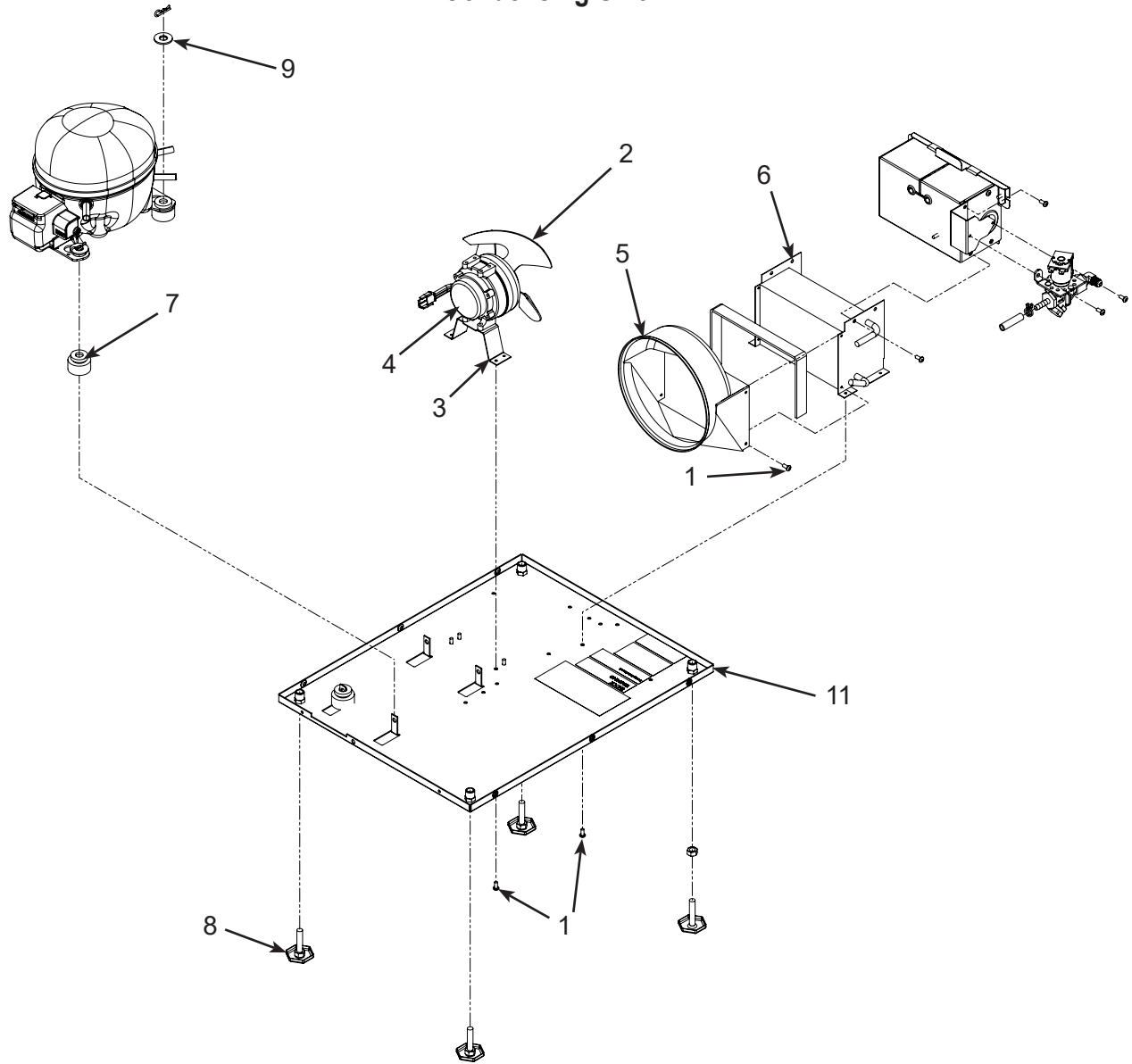
- KPMPD Use to convert any DRC033 gravity model to pump type. Pump included.
- 12-3196-21* Drain pump only; use to replace drain pumps only. Must order kit to convert from gravity.

Pump Kit Service Parts

- | Part Number | Description |
|-------------|----------------------------|
| 2. | 19-0642-02 Adhesive tape |
| 3. | 19-0672-01 Thread sealant |
| 4. | 02-1798-01 Cable tie |
| 5. | 02-5238-01 Vent tube |
| 6. | 02-2814-08 Hose clamp |
| 7. | 02-5239-01 Bin drain tube |
| 8. | 02-0534-02 Hose clamp |
| 9. | 02-3522-01 Elbow discharge |
| 10. | A37334-001 Discharge hose |
| 11. | 03-1736-01 Cable mount |
| 12. | 02-2814-04 Hose clamp |
| 13. | 02-2814-13 Hose clamp |
| 14. | 02-4412-02 Bin drain tube |
| 15. | 02-2814-08 Hose clamp |

DRC033 Service Parts

Condensing Unit

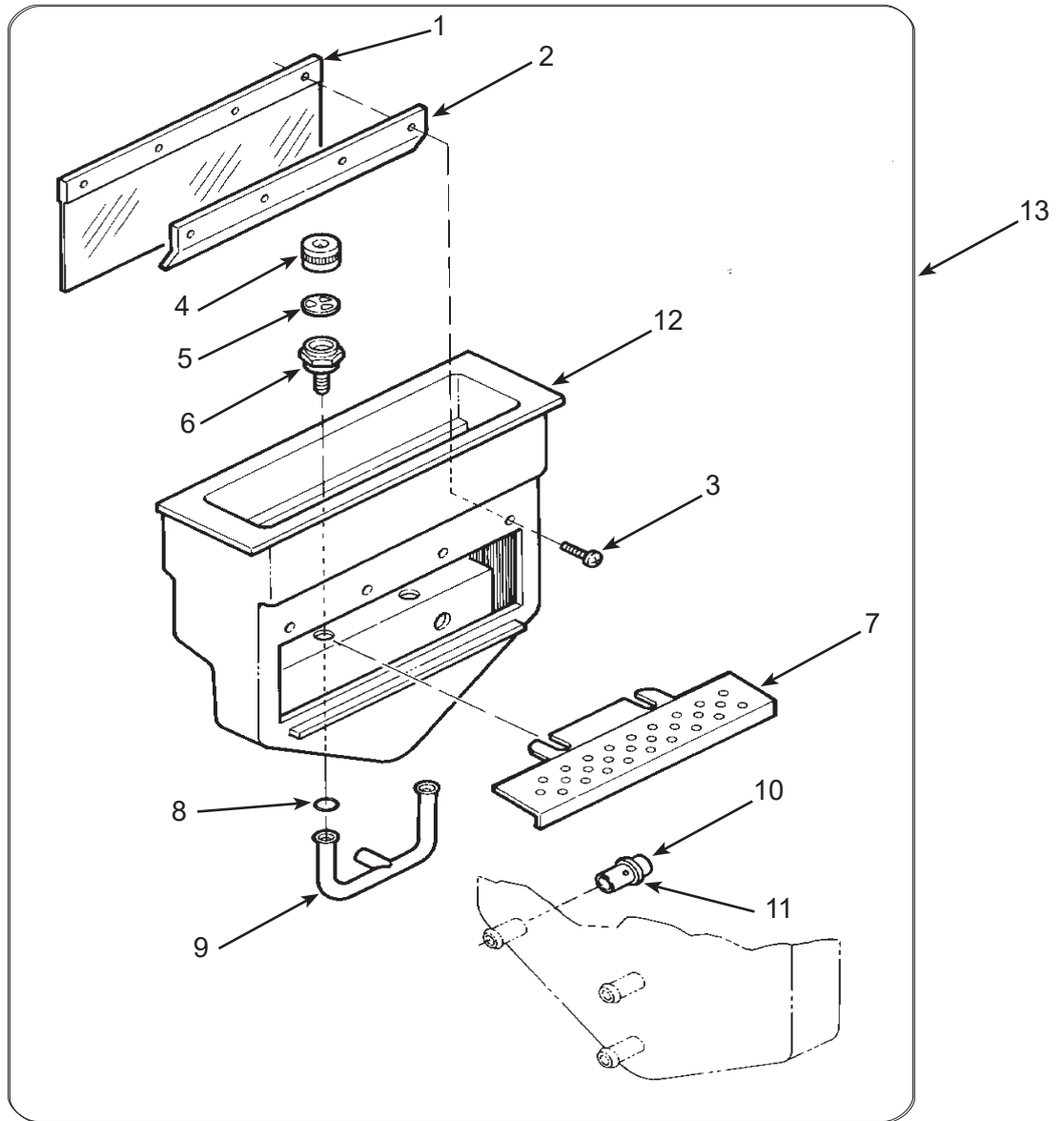


Part Number	Description
1.	03-1531-01 Screw (4)
2.	18-3710-01 Fan Blade
3.	A28798-001 Fan Motor Bracket
4.	12-2396-21 Fan Motor
	18-8752-10 Blade pad
	18-8752-11 Blade nut
5.	02-2871-01 Fan Shroud
6.	18-3729-01 Condenser
7.	18-4700-28 Grommet
8.	03-1608-01 Leg Leveler
9.	03-1407-08 Washer
	03-3821-01 Clip
10.	A41646-001 Upper base plate (not pictured)

Part Number	Description
11.	A41606-001 Lower base plate

DRC033 Service Parts

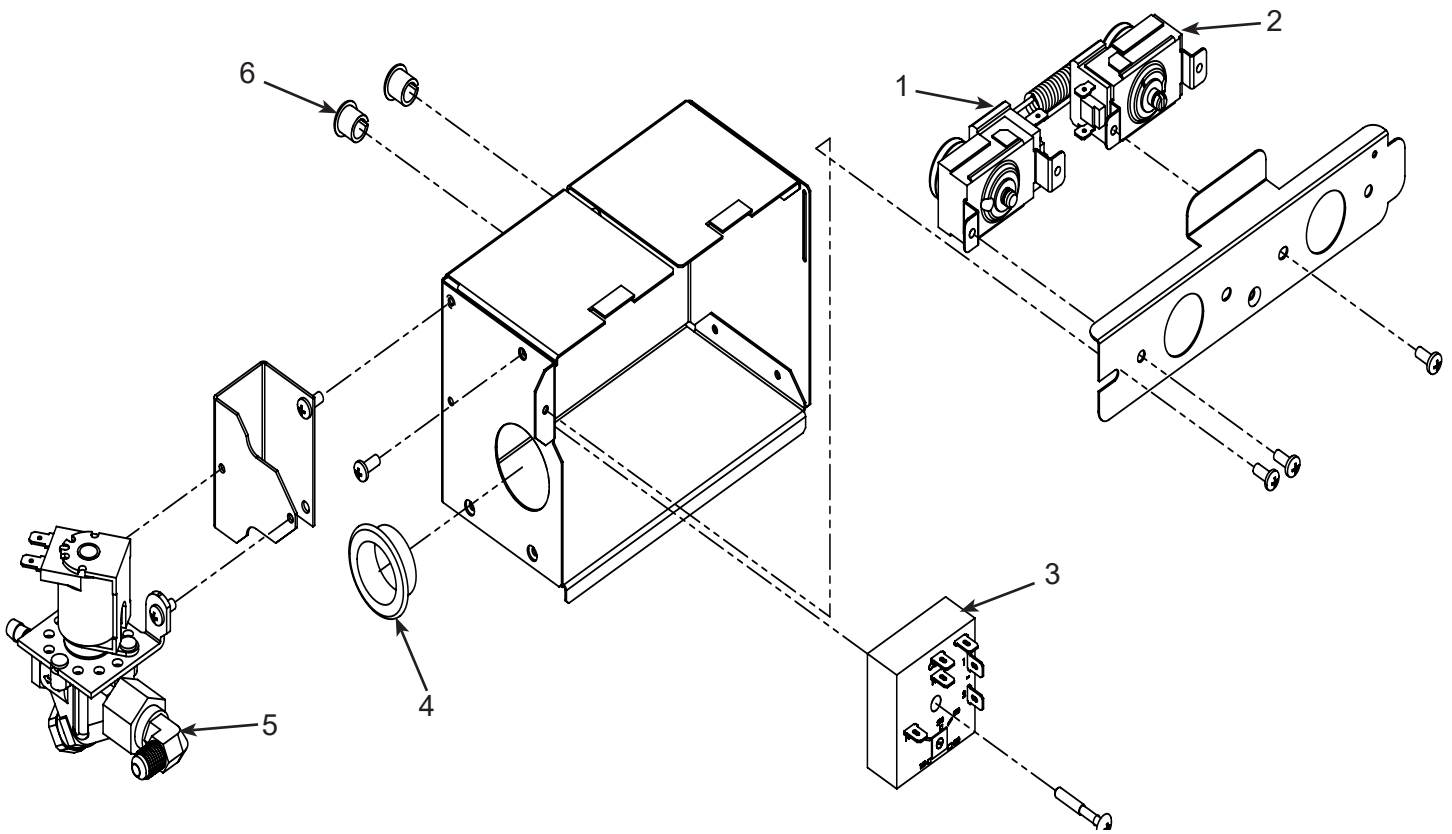
Reservoir



Part Number	Description
1.	02-2479-21 Curtain
2.	A24155-001 Curtain stiffener
3.	03-1404-16 Screw
4.	02-1841-00 Nozzle
5.	A09543-000 Spinner
6.	02-1840-00 Jet Base
7.	A22518-000 Cube Chute
8.	13-0617-08 O-ring
9.	02-2704-01 Spray Bar Assembly
10.	05-0593-01 SS nipple
11.	13-0617-01 O-ring
12.	02-1923-01 Bin Insert
13.	A22532-001 Bin insert assy

DRC033 Service Parts

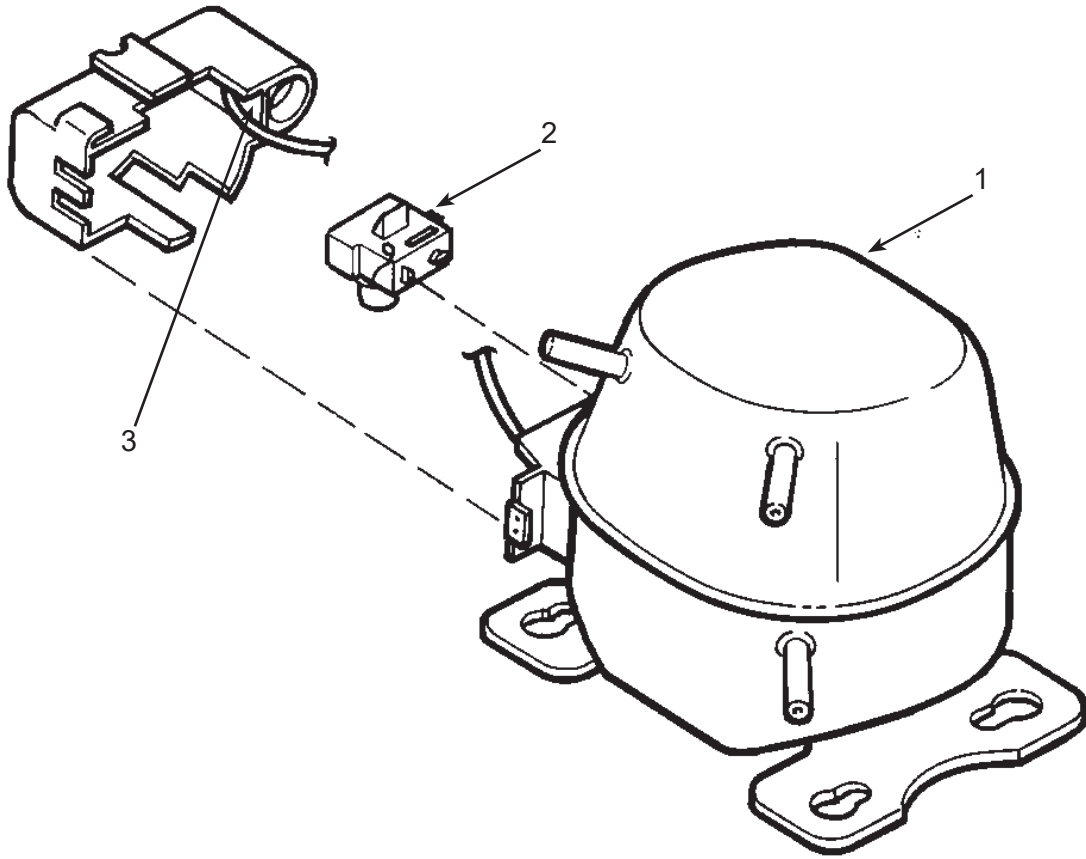
CONTROL BOX



	Part Number	Description
1.	11-0672-01	Cube size control
2.	11-0671-01	Bin level control, includes 2a
2a	02-4817-01	Knob, for Danfoss thermostat only
3.	12-2985-01	Timer
	03-1419-16	Screw
4.	12-1213-12	Snap bushing
5.	12-3259-01	Inlet water valve kit, includes new fittings
6.	12-1213-04	Snap bushing

DRC033 Service Parts

Compressor



	Part Number	Description
1.	18-9000-21	Compressor Kit, Includes Relay, Overload, Instructions
2.	18-9000-52	PTCR
3.	18-9000-51	Overload

DRC033 Service Parts

Kit Parts

K-SS Door Sleeve Kit

02-3846-01 Sleeve

02-3847-01 Handle

03-1403-50 Screw for handle

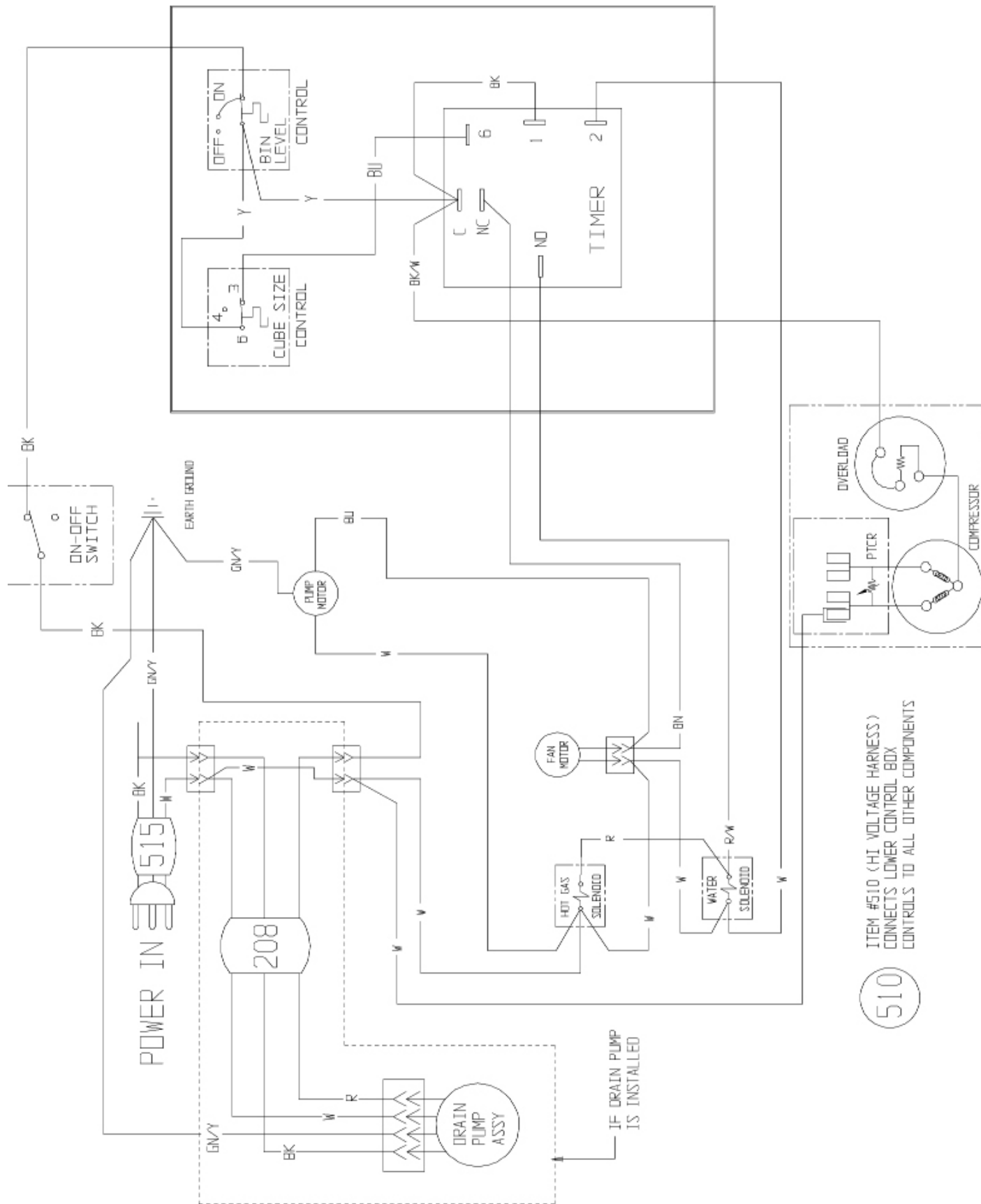
03-1407-06 Washer

03-1410-03 Lockwasher

03-3811-01 Screw

DRC033 Service Parts

Wiring Diagram



510
 ITEM #510 (HI-VOLTAGE HARNESS)
 CONNECTS LOWER CONTROL BOX
 CONTROLS TO ALL OTHER COMPONENTS

SCOTSMAN ICE SYSTEMS

101 Corporate Woods Parkway

Vernon Hills, IL 60061

800-726-8762

www.scotsman-ice.com