

# DRC033 Service Parts

The section contains the parts list for the DRC033. The DRC033 has been manufactured in a Stainless Steel finish.

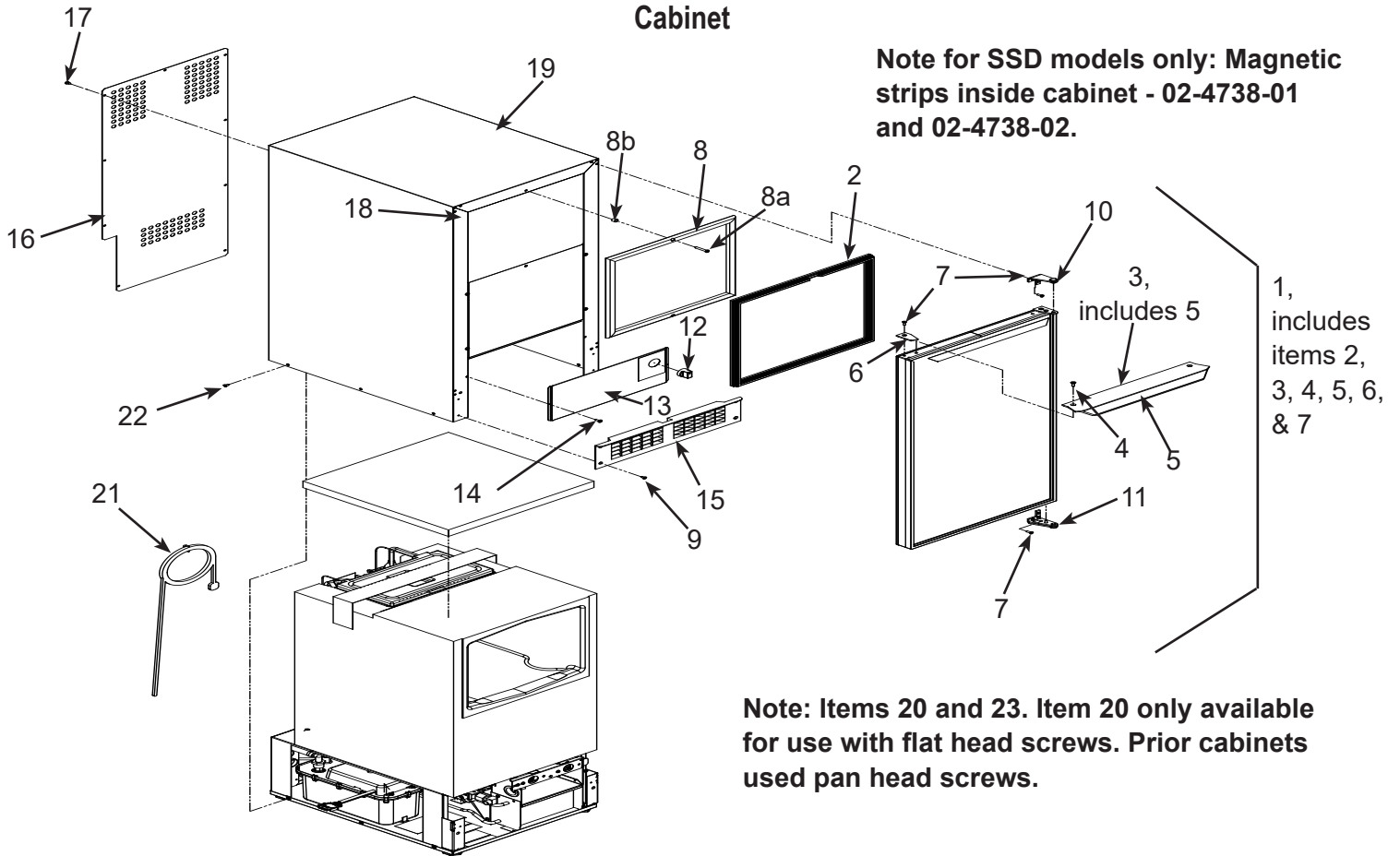
Please check the part description before ordering any part.

## Contents

Cabinet . . . . .	2
Pump, Evaporator, Storage Bin . . . . .	3
Drain Pump Components . . . . .	4
Condensing Unit . . . . .	5
Reservoir . . . . .	6
CONTROL BOX . . . . .	7
Compressor . . . . .	8
Kit Parts . . . . .	9
Wiring Diagram . . . . .	10
Schematic Diagram . . . . .	11

**Parts lists and wiring diagrams are located in the center of the manual.**

# DRC033 Service Parts Cabinet

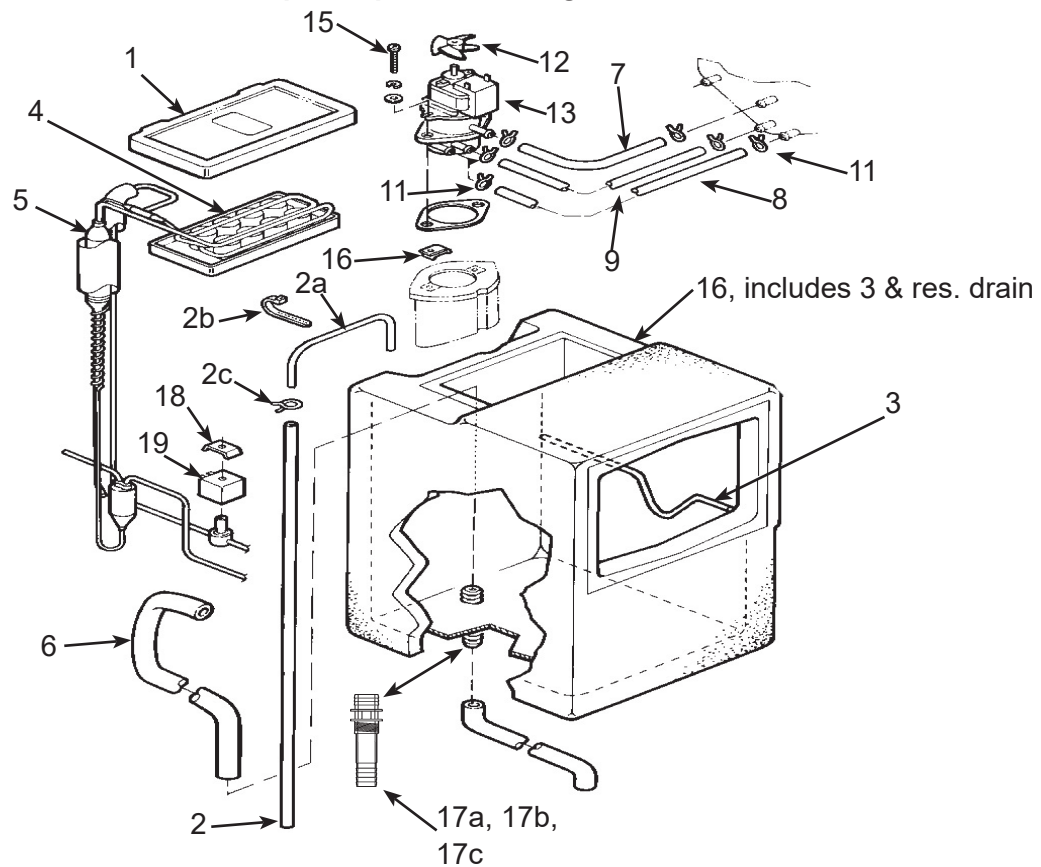


Part Number	Description
1.	A28866-012 Stainless door assembly
2.	13-0609-00 Gasket
3.	15-0647-01 Alum. Handle, blank for SS
4.	03-1607-01 Head Screw (2)
5.	15-0817-01 Nameplate strip
6.	15-0648-01 Alum. Hinge Fill Plate, Rt.
	15-0648-02 Alum. Hinge Fill Plate, Lt.
7.	03-1418-24 Screw (10)
8.	13-0828-02 Gasket
8a	03-1404-14 Screw
8b	02-2701-01 Spacer
9.	03-1419-26 Screw
10.	15-0799-01 Hinge
11.	15-0799-02 Hinge
12.	02-4817-01 Knob, Bin Thermo
13.	A40162-001 Cont Box cover - SS
13a	17-3465-01 Bin level control label
14.	03-1404-07 Screw (6)
15.	02-2243-02 Kickplate
16.	A41774-001 Rear Panel
17.	03-1404-08 Screw (9)

Part Number	Description
18.	02-1875-13 Plug
19.	A40159-001 Cabinet (stainless steel)
20.	19-0633-01 Insulation (in Bag)
21.	12-1638-21 Power cord & wire harness
22.	03-1404-14 Screw, pan head

# DRC033 Service Parts

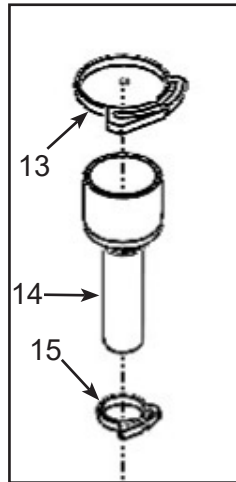
## Pump, Evaporator, Storage Bin



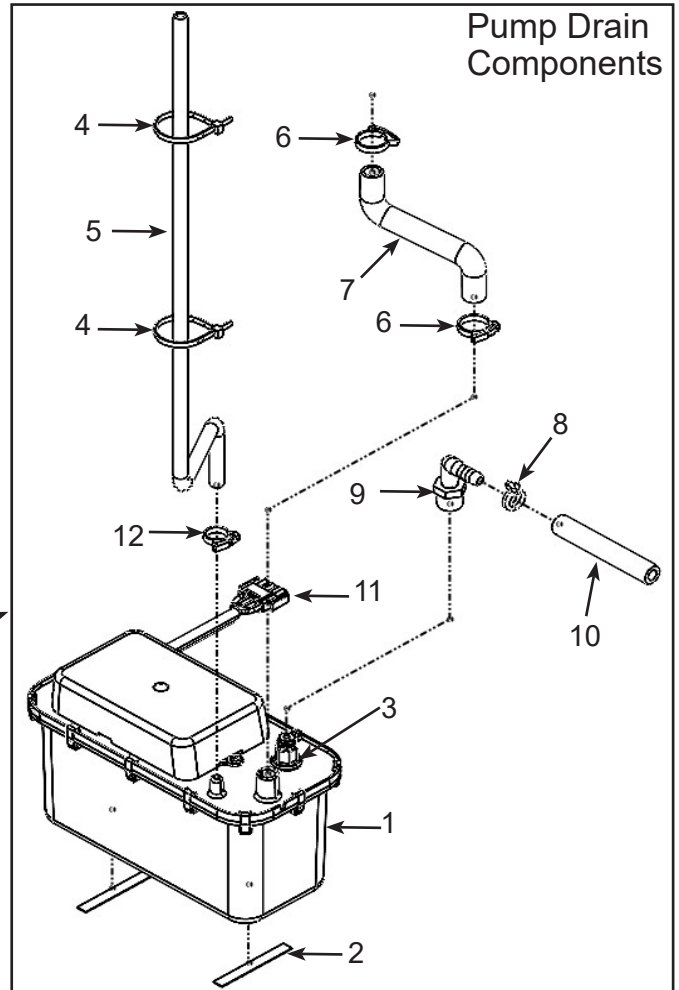
<b>Part Number</b>	<b>Description</b>	<b>Part Number</b>	<b>Description</b>
1.	02-2274-01 Platen Cover	16.	A29092-004 Bin Assembly, includes reservoir drain hose & drain fittings
2.	13-0674-01 Tube, 37"	17a	02-3323-01 Drain fitting (foamed in bin)
2a	A27027-001 Copper inlet tube	17b	13-0617-13 O-Ring
2b	A27028-001 Tube holder	17c	03-1394-05 Pal nut
2c	03-3961-01 Hose clamp	17.	12-2569-03 Clip, Hot Gas Valve
3.	A40167-001 Bin Thermostat bracket	18.	11-0562-21 Hot Gas Valve kit
4.	02-3489-20 Evaporator, does NOT include suction line and accumulator	19.	16-1219-02 Drier
5.	A36699-020 Evaporator, Complete		Not Shown
6.	A37334-001 Res. drain hose	20.	02-3070-01 Plastic Scoop
7.	13-0674-16 Tube, 5/8" Req. 4.25"	21.	02-4901-01 Evaporator Shield
8.	13-0674-15 Tube, 1/2", Req 3.25"		
9.	13-0674-15 Tube, 1/2", Req. 3-5/8"		
10.	02-1775-02 Clamp (2)		
11.	02-0534-02 Clamp (4)		
12.	18-3710-01 Fan Blade		
13.	A30625-001 Spray Pump		
14.	13-0687-00 Gasket		
15.	03-1719-01 Screw		

# DRC033 Service Parts

## Drain Pump Components



Gravity Drain Components



Pump Drain Components

### Part Number Description

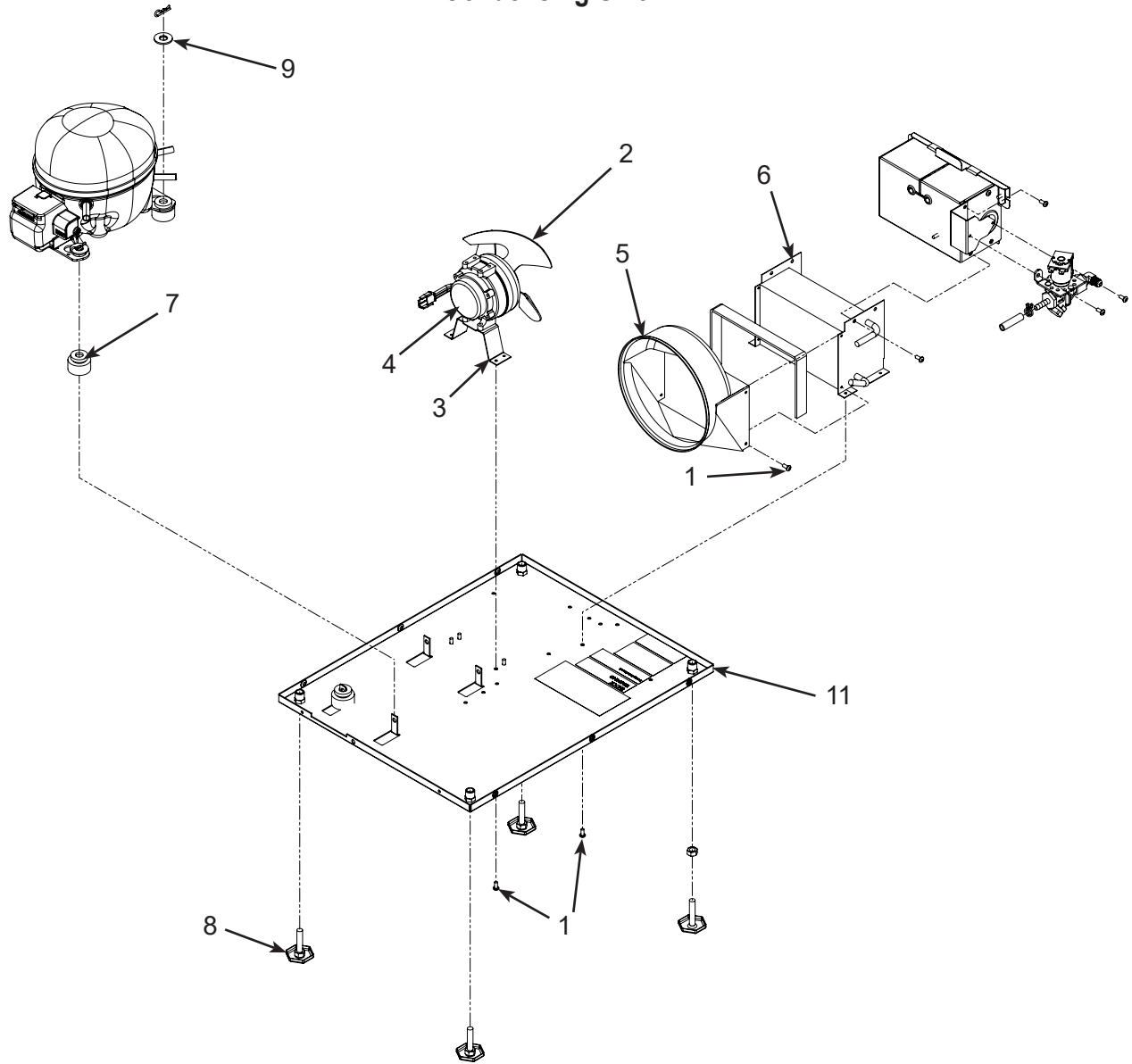
- KPMPD Use to convert any DRC033 gravity model to pump type. Pump included.
1. 12-3196-21\* Drain pump only; use to replace drain pumps only. Must order kit to convert from gravity.

### Pump Kit Service Parts

- | Part Number | Description                |
|-------------|----------------------------|
| 2.          | 19-0642-02 Adhesive tape   |
| 3.          | 19-0672-01 Thread sealant  |
| 4.          | 02-1798-01 Cable tie       |
| 5.          | 02-5238-01 Vent tube       |
| 6.          | 02-2814-08 Hose clamp      |
| 7.          | 02-5239-01 Bin drain tube  |
| 8.          | 02-0534-02 Hose clamp      |
| 9.          | 02-3522-01 Elbow discharge |
| 10.         | A37334-001 Discharge hose  |
| 11.         | 03-1736-01 Cable mount     |
| 12.         | 02-2814-04 Hose clamp      |
| 13.         | 02-2814-13 Hose clamp      |
| 14.         | 02-4412-02 Bin drain tube  |
| 15.         | 02-2814-08 Hose clamp      |

# DRC033 Service Parts

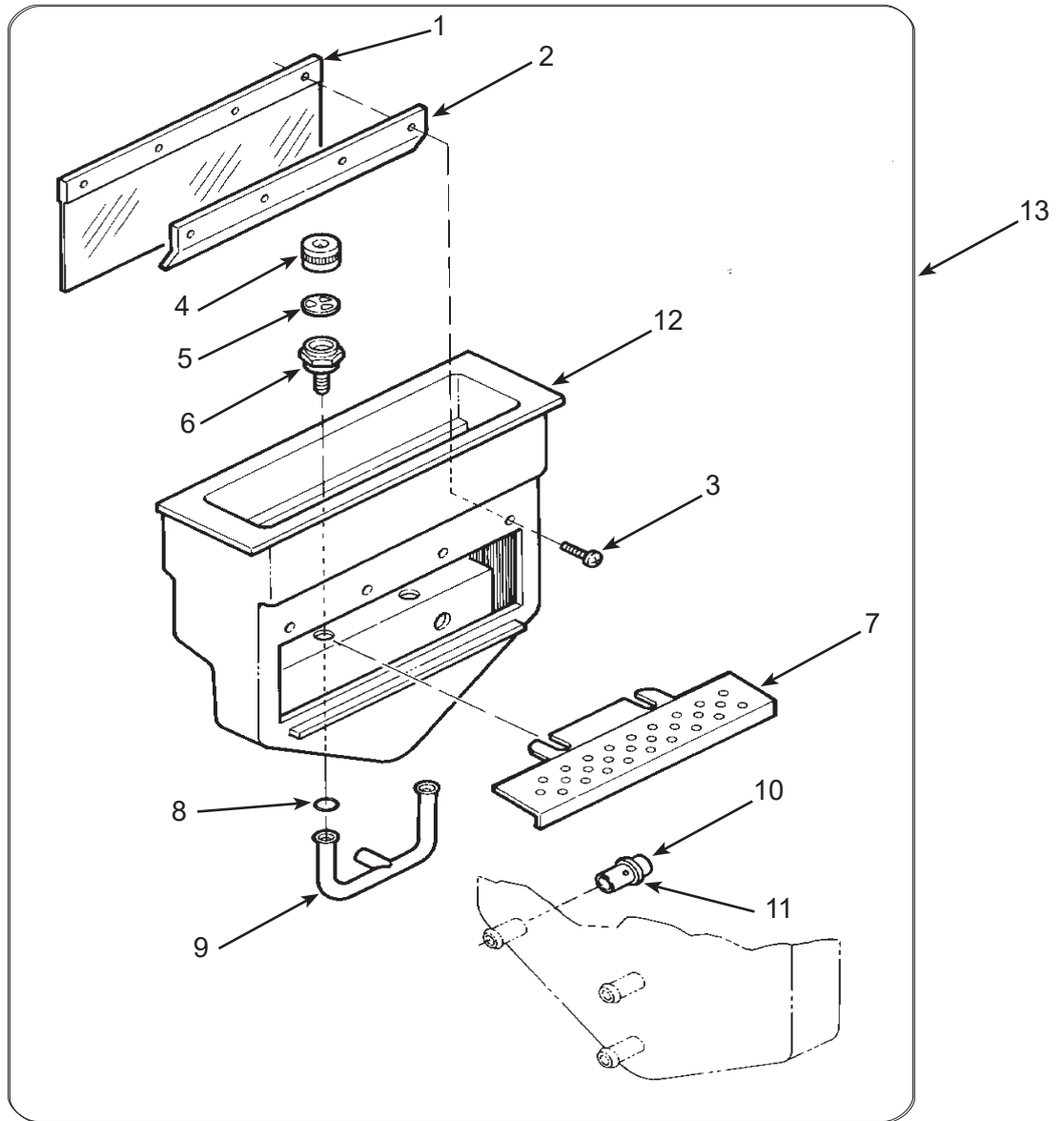
## Condensing Unit



Part Number	Description	Part Number	Description		
1.	03-1531-01	Screw (4)	11.	A41606-001	Lower base plate
2.	18-3710-01	Fan Blade			
3.	A28798-001	Fan Motor Bracket			
4.	12-2396-21	Fan Motor			
	18-8752-10	Blade pad			
	18-8752-11	Blade nut			
5.	02-2871-01	Fan Shroud			
6.	18-3729-01	Condenser			
7.	18-4700-28	Grommet			
8.	03-1608-01	Leg Leveler			
9.	03-1407-08	Washer			
	03-3821-01	Clip			
10.	A41646-001	Upper base plate (not pictured)			

# DRC033 Service Parts

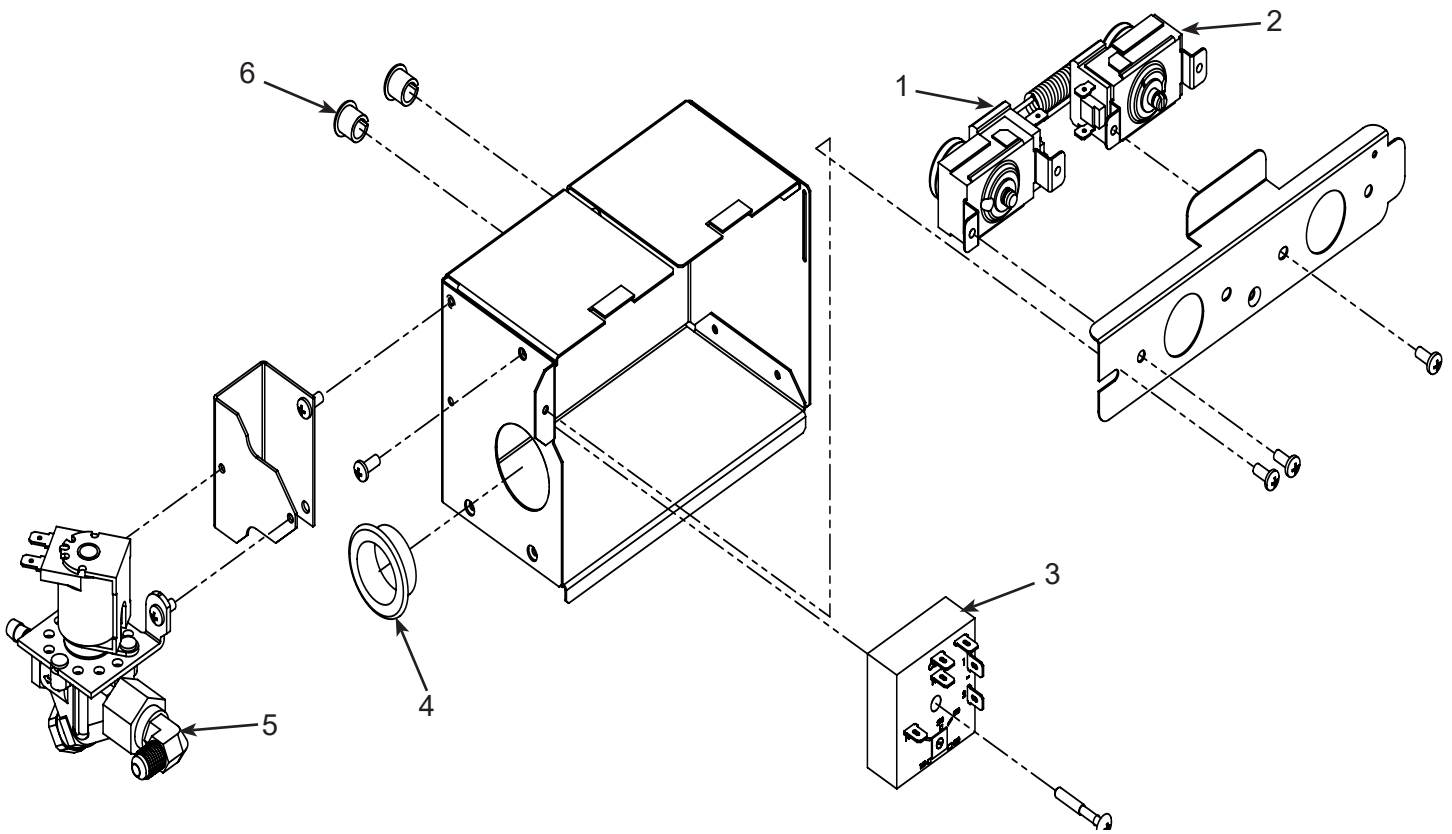
## Reservoir



Part Number	Description
1.	02-2479-21 Curtain
2.	A24155-001 Curtain stiffener
3.	03-1404-16 Screw
4.	02-1841-00 Nozzle
5.	A09543-000 Spinner
6.	02-1840-00 Jet Base
7.	A22518-000 Cube Chute
8.	13-0617-08 O-ring
9.	02-2704-01 Spray Bar Assembly
10.	05-0593-01 SS nipple
11.	13-0617-01 O-ring
12.	02-1923-01 Bin Insert
13.	A22532-001 Bin insert assy

# DRC033 Service Parts

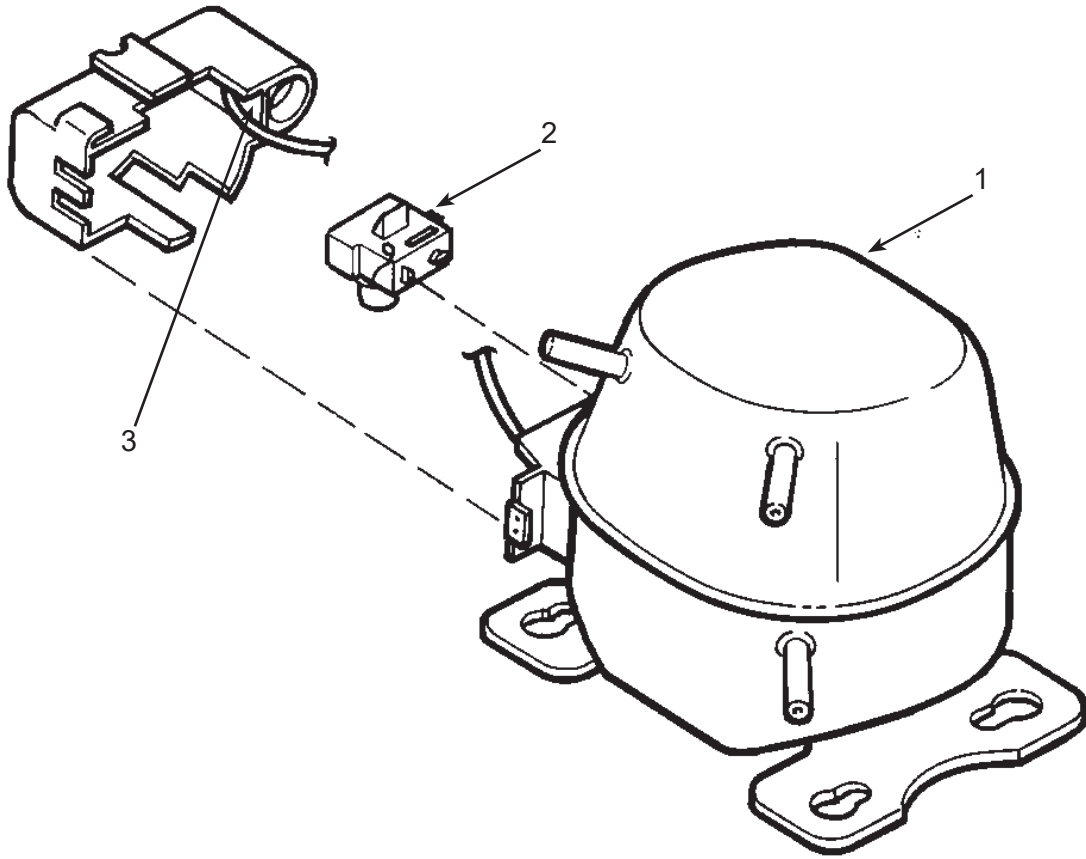
## Control Box



	<b>Part Number</b>	<b>Description</b>
1.	11-0672-21	Cube size control
2.	11-0671-01	Bin level control, includes 2a
2a	02-4817-01	Knob, for Danfoss thermostat only
3.	12-2985-01	Timer
	03-1419-16	Screw
4.	12-1213-12	Snap bushing
5.	12-3259-01	Inlet water valve kit, includes new fittings
6.	12-1213-04	Snap bushing

# DRC033 Service Parts

## Compressor



	Part Number	Description
1.	18-9000-21	Compressor Kit, Includes Relay, Overload, Instructions
2.	18-9000-52	PTCR
3.	18-9000-51	Overload

# DRC033 Service Parts

## Kit Parts

### K-SS Door Sleeve Kit

02-3846-01 Sleeve

02-3847-01 Handle

03-1403-50 Screw for handle

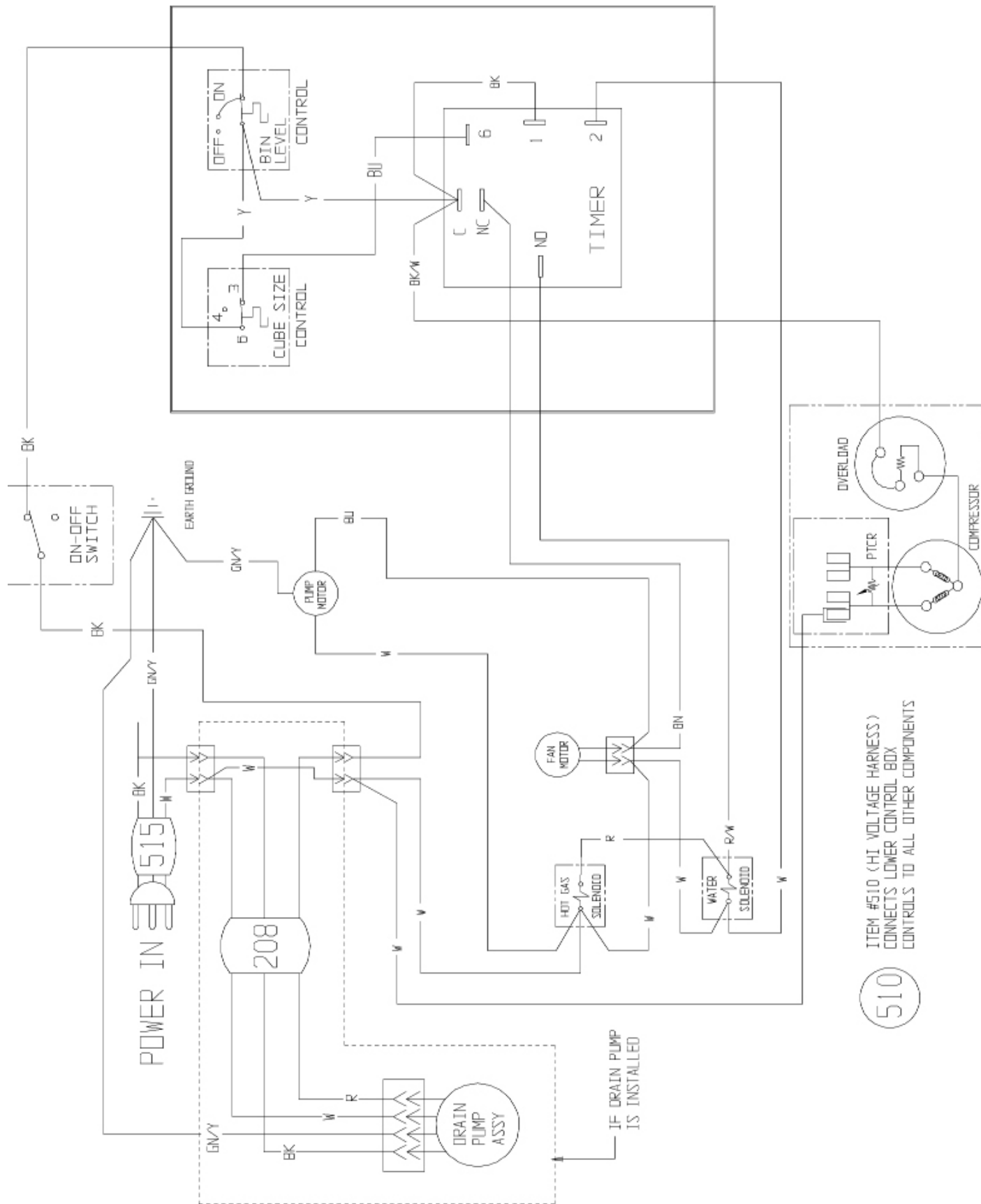
03-1407-06 Washer

03-1410-03 Lockwasher

03-3811-01 Screw

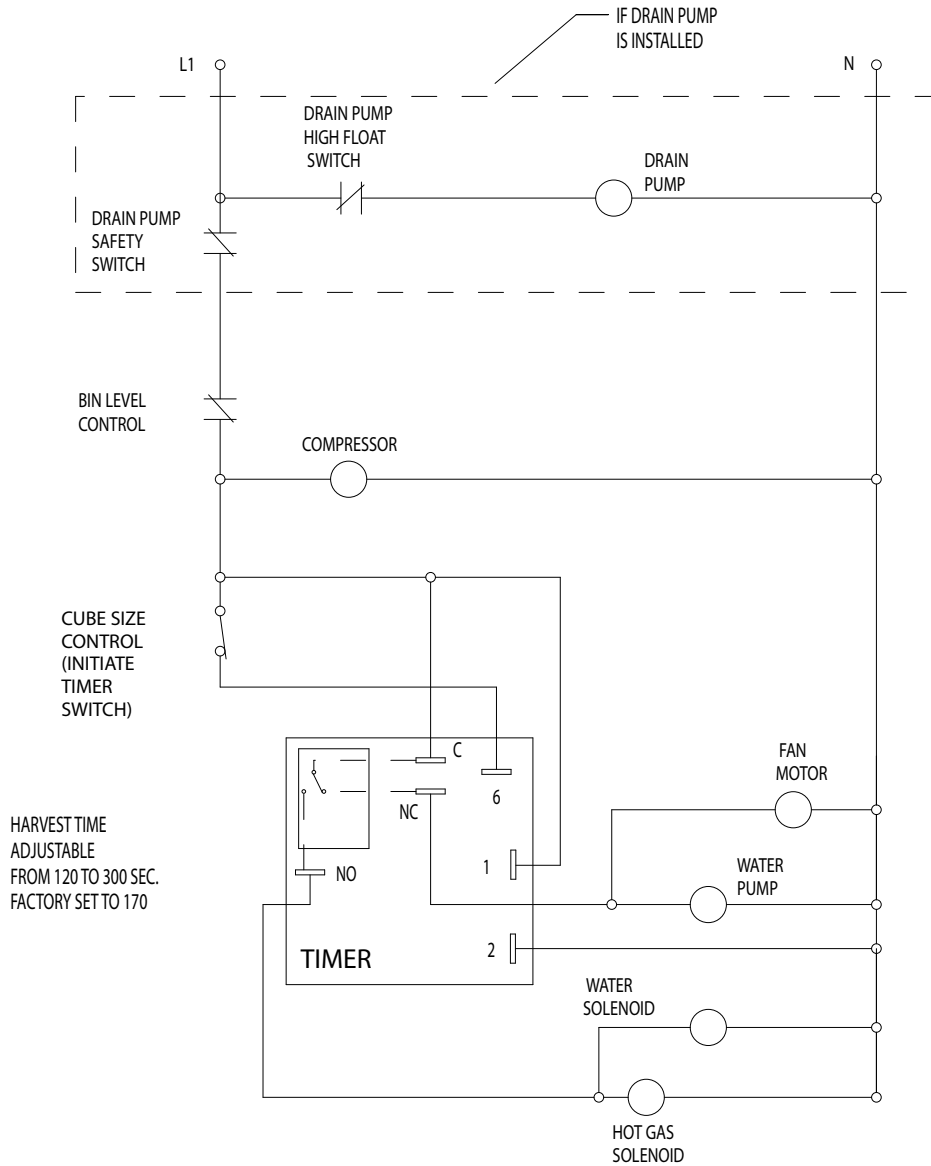
# DRC033 Service Parts

## Wiring Diagram



510  
 ITEM #510 (HI VOLTAGE HARNESS)  
 CONNECTS LOWER CONTROL BOX  
 CONTROLS TO ALL OTHER COMPONENTS

# DRC033 Service Parts Schematic Diagram



**SWITCHES ON THIS UNIT  
SHOWN IN TIMED PORTION  
OF THE FREEZE CYCLE  
WITH DRAIN PUMP IN OPERATION**

**SWITCHES ON THIS UNIT SHOWN IN TIMED PORTION OF  
THE FREEZE CYCLE WITH DRAIN PUMP IN OPERATION**

# **SCOTSMAN ICE SYSTEMS**

101 Corporate Woods Parkway

Vernon Hills, IL 60061

800-726-8762

[www.scotsman-ice.com](http://www.scotsman-ice.com)