

SCCG30 & SCCP30 Service Parts

This is the illustrated parts list for the SCCG30 and the SCCP30 Residential Ice Machines.

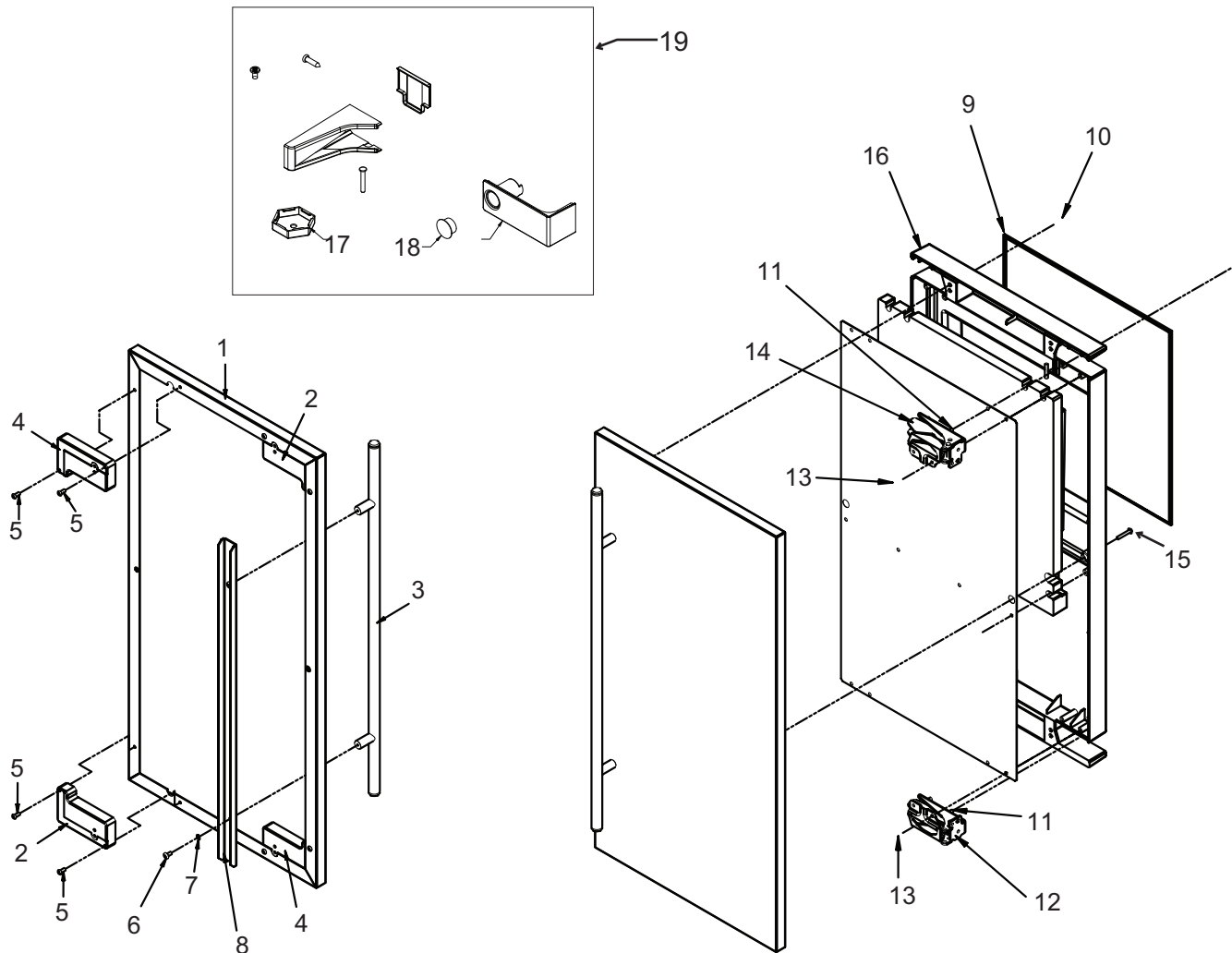
When ordering a service part, always refer to the complete model number of the equipment being repaired to be sure of obtaining the correct part. Many times there are slight differences between models, and having the complete model number will aide in selecting the correct part.

Contents

Door2
Cabinet3
Reservoir and Spray Pump4
Refrigeration System5
Under Bin Parts6
Control System7
Schematic Diagram8
Wiring Diagram9

SCCG30 & SCCP30 Service Parts

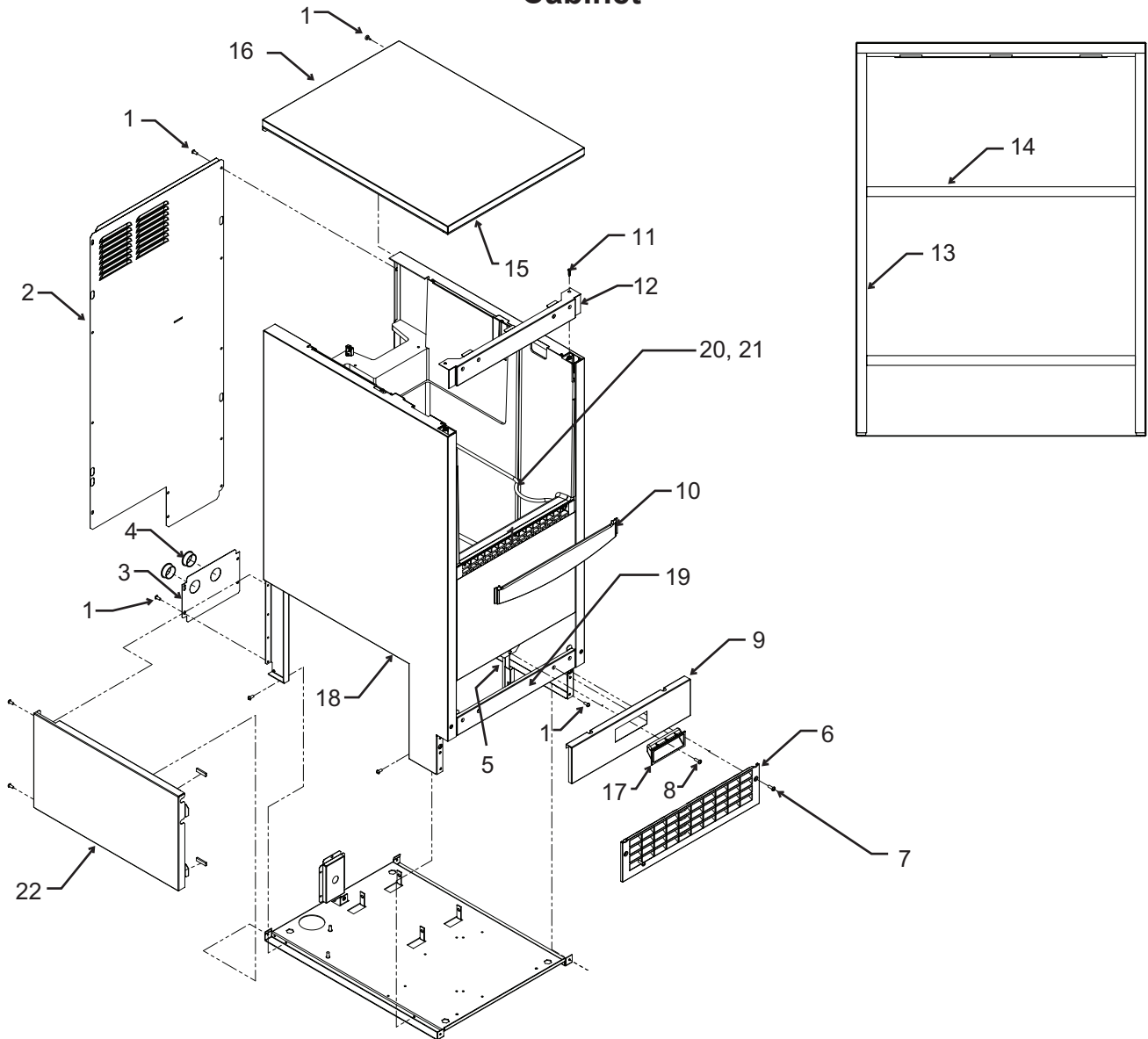
Door



Item Number	Part Number	Description	Item Number	Part Number	Description
1	KDFS	Door panel kit. Kit includes items 1 thru 8. SS panel, SS handle	11	03-3818-01	Screw - hinge to cabinet
2	02-4433-01	Corner block, RH	12	02-3866-04	Hinge - top left/bottom right
3	02-4430-01	Handle, SS	13	03-1404-24	Screw - hinge to door
4	02-4433-02	Corner block, LH	14	02-3866-03	Hinge
5	03-1531-01	Screw	15	03-1403-67	Screw
6	03-3811-01	Screw	16	A39513-001	Door assembly, does not include door panel or hinges
7	03-1410-07	Lockwasher	17	02-4415-20	Leg cap, pack of 4
8	A39390-001	Support bracket	18	02-1875-07	Hole plug
9	13-0949-03	Door gasket	19	02-4474-01	Hinge package
10	03-1404-40	Screw			

SCCG30 & SCCP30 Service Parts

Cabinet

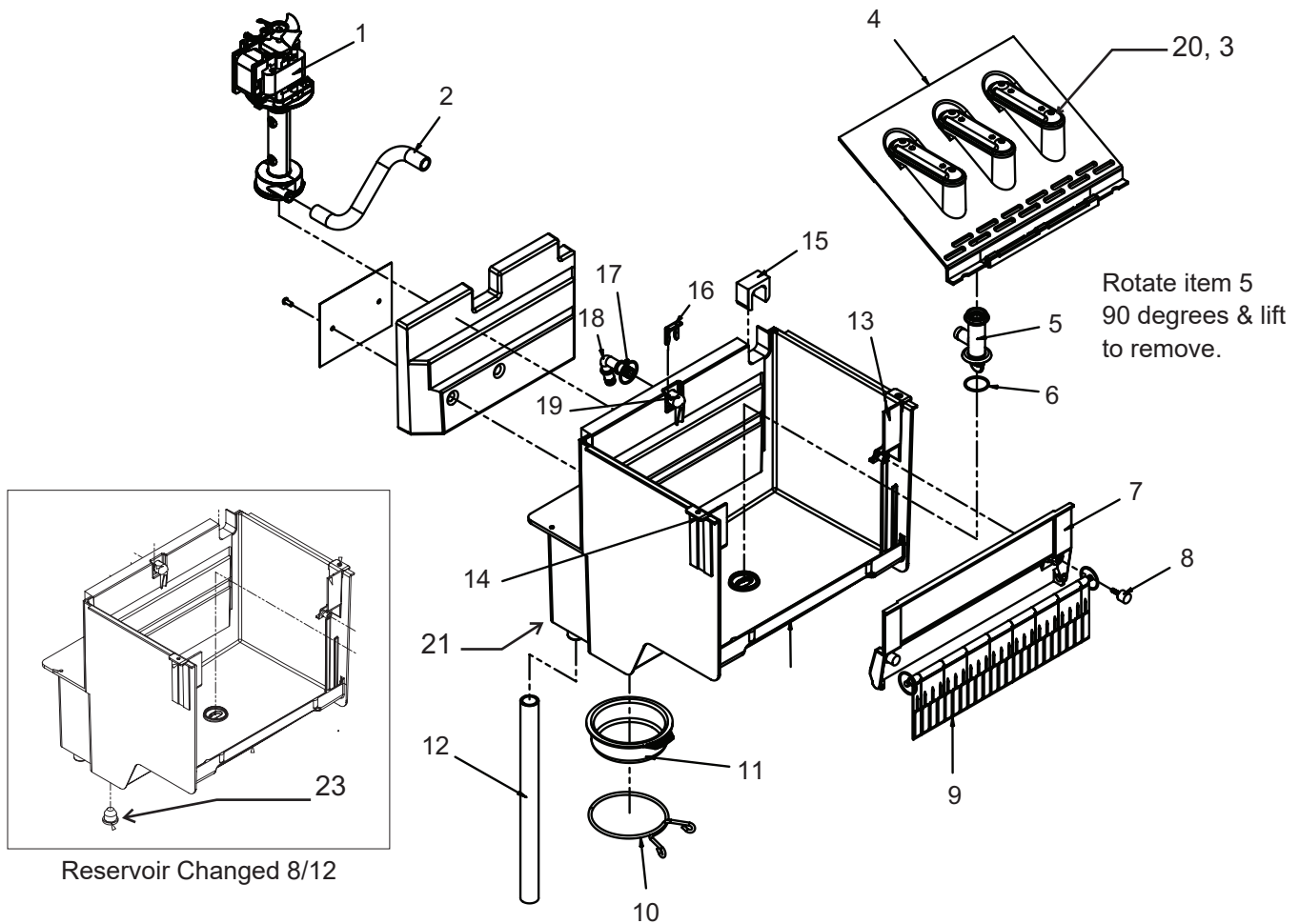


Item Number	Part Number	Description
1	03-1404-10	Screw
2	A39363-001	Back panel
3	A39389-001	Utility routing bracket
4	12-1213-11	Snap bushing
5	A39392-001	Srv panel mntg bracket
6	02-4390-01	Kickplate
7	03-1403-86	Screw
8	02-4441-01	Panel handle
9	A39381-003	Service panel, SS
10	02-4392-01	Bin edging
11	03-3836-03	Screw
12	A39364-003	Top hinge brkt, RH SS
	A39364-007	Top hinge brkt, L & R SS*
12a	03-3813-01	Screw to fill holes
13	13-0943-05	Gasket
14	13-0943-03	Gasket strip
15	02-4426-01	Insulation pad
16	A39362-003	Top panel, SS
17	03-1403-86	Screw
18	A39618-001	SS cabinet & bin
19	A39385-003	Btm hinge brkt, L & R SS**
20	A34816-001	Bin stat bracket/scoop hldr
21	02-4391-01	Scoop
22	A39615-001	Service panel

* changed 1/12 to add left and right hinge mounting.
Painted parts no longer available.

SCCG30 & SCCP30 Service Parts

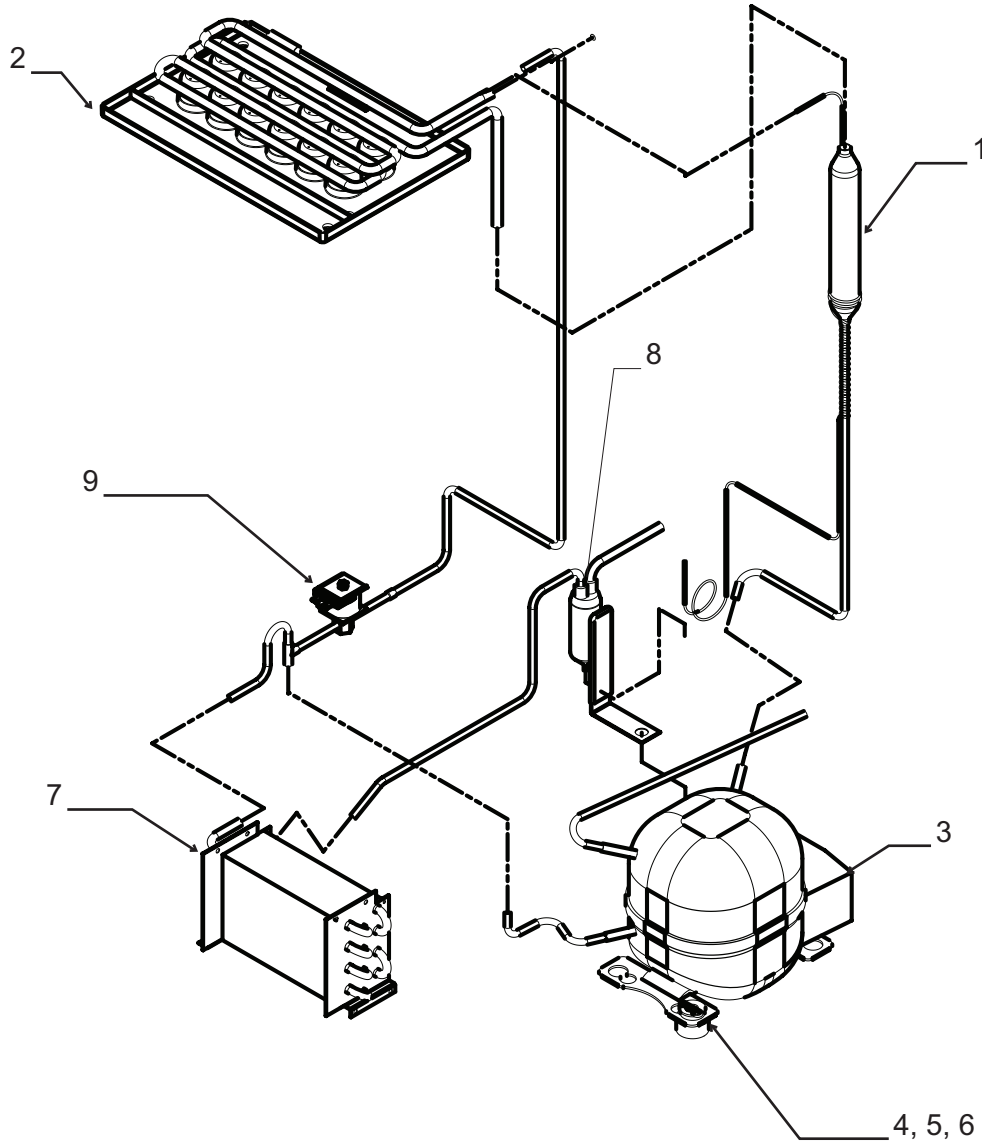
Reservoir and Spray Pump



Item Number	Part Number	Description	Item Number	Part Number	Description
1	12-2986-21	Water pump, include item 1a	12	02-4428-01	Drain tube
1a	02-1719-00	Fan blade for pump	13	02-4375-02	Evap bracket, left
2	02-4379-01	Pump discharge hose	14	02-4375-01	Evap bracket, right
3	02-4370-21	Spray nozzle, kit. Set of 3 nozzles, o-rings, screws and nuts.	15	02-4475-01	Grommet
4	02-4371-03	Spray platform	16	02-4381-03	Clip
5	02-4368-01	Water Tee	17	13-0617-04	O-ring
6	13-0617-11	O-ring	18	02-4381-01	Barbed fitting
7	02-4365-01	Front bracket	19	02-4381-02	Spout
8	03-3892-01	Thumb screw	20	02-4373-01	O-ring
9	A39357-001	Curtain	21	02-4427-02	Reservoir
10	02-4383-01	Clamp	Item 22 is a plastic cover that goes over the evaporator tubing and cups. It was added in 2013. It is not shown.		
11	02-4508-01	Drain cap, not used after 8/12	22	02-4726-01	Evaporator cover
			23	13-0840-01	Drain plug

SCCG30 & SCCP30 Service Parts

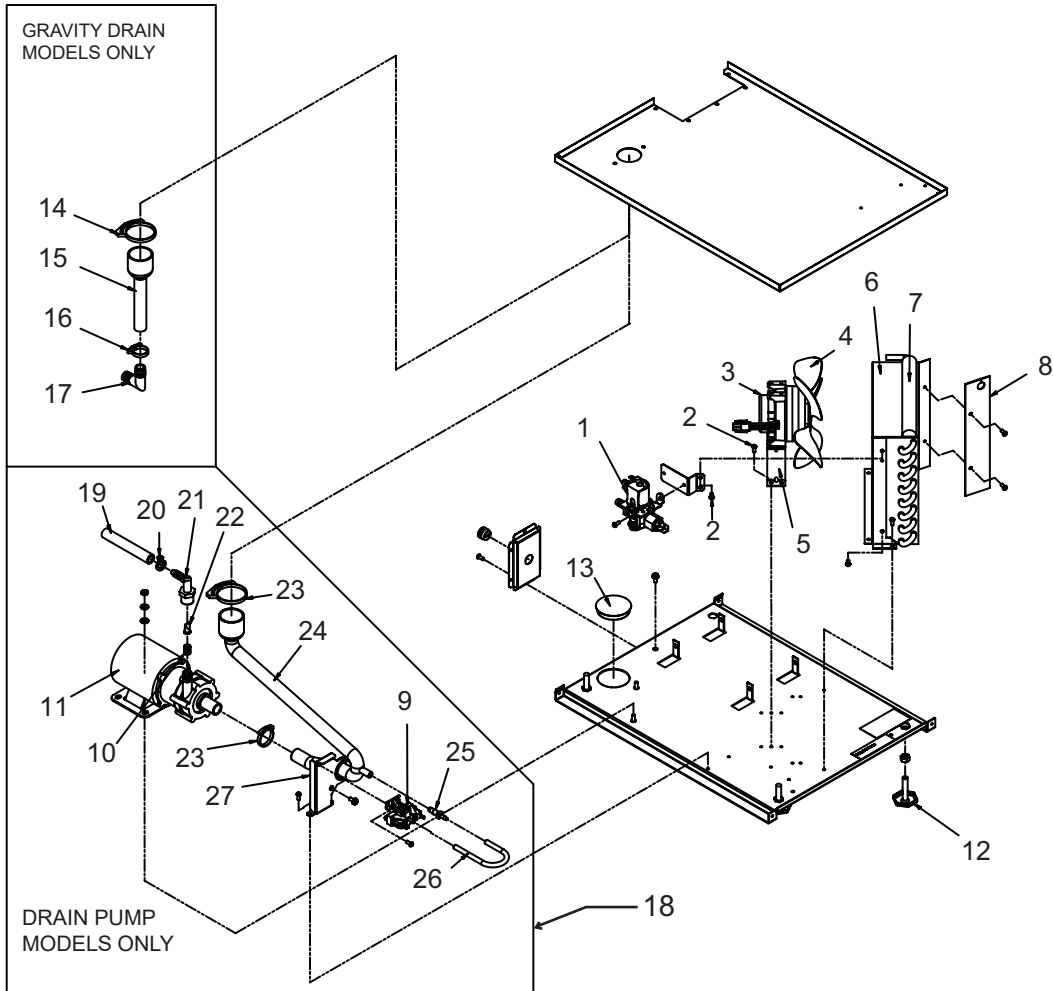
Refrigeration System



Item Number	Part Number	Description
1	A39396-001	Suction line accumulator assy
2	02-4376-02	Evaporator
3	18-8776-21	Compressor
Compressor includes overload, relay and drier		
3a	18-8776-52	Overload
3b	18-8776-51	Relay
4	03-3821-01	Clip
5	03-1407-08	Washer
6	18-4700-28	Grommet
7	18-8940-01	Condenser
8	16-1219-02	Drier
9	11-0562-21	Hot gas valve
9a	11-0562-22	HGV coil

SCCG30 & SCCP30 Service Parts

Under Bin Parts

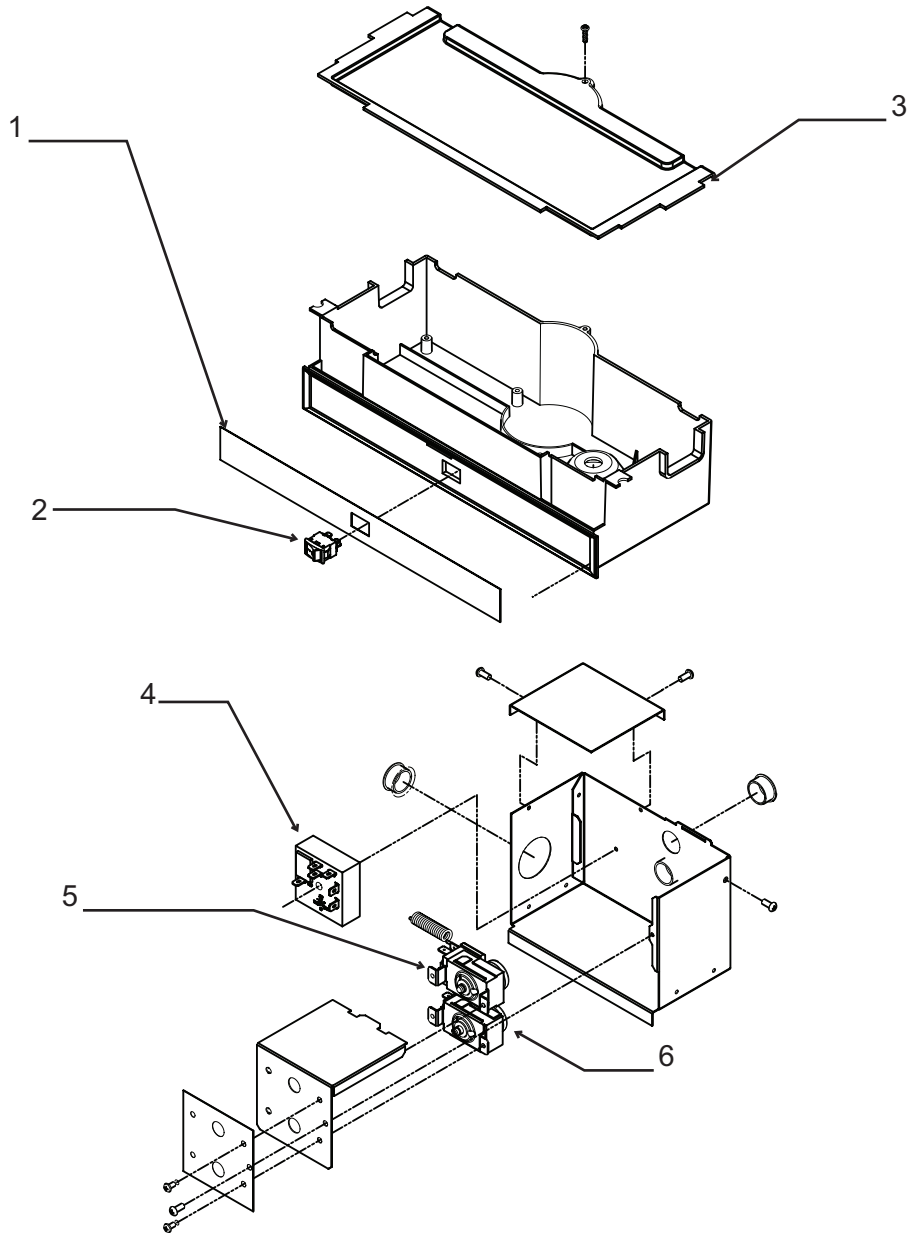


Item Number	Part Number	Description
1	12-2990-01	Inlet water sol valve
1a	05-0590-01	Full hose Req. 4 ft.
2	03-1531-01	Screw
3	12-3024-01	Fan motor
4	02-4197-01	Fan blade
5	A39556-001	Fan motor bracket
6	A39460-001	Fan shroud
7	13-0909-01	Gasket, order 1 & cut to fit
8	02-4450-01	Air baffle
9	11-0504-01	Pressure switch
10	03-3904-01	Spring
11	12-2503-21	Pump & motor only
12	03-1608-01	Leg leveler
13	02-1875-18	Hole plug
14	02-2814-13	Hose clamp
15	02-4412-01	Drain hose
16	02-2814-08	Hose clamp
17	16-0671-01	Elbow
18	A39462-021*	Pump kit*
19	A37334-001	Discharge hose
20	02-0534-02	Hose clamp
21	02-3522-01	Elbow
22	02-3374-01	Check valve
23	02-2814-13	Hose clamp
24	02-4413-01	Drain tube
25	02-3406-01	Barbed connector
26	05-0591-01	Switch hose
27	A39370-001	Switch bracket

***The complete kit shouldn't be used for warranty purposes without an authorization number given from tech support.**

SCCG30 & SCCP30 Service Parts

Control System



Item Number	Part Number	Description
1	02-4436-01	Graphic overlay
2	12-2991-01	Power switch
3	02-4386-01	Cover
4	12-2985-01	Timer
5	11-0620-21	Cube size thermostat
6	11-0617-21	Bin thermostat

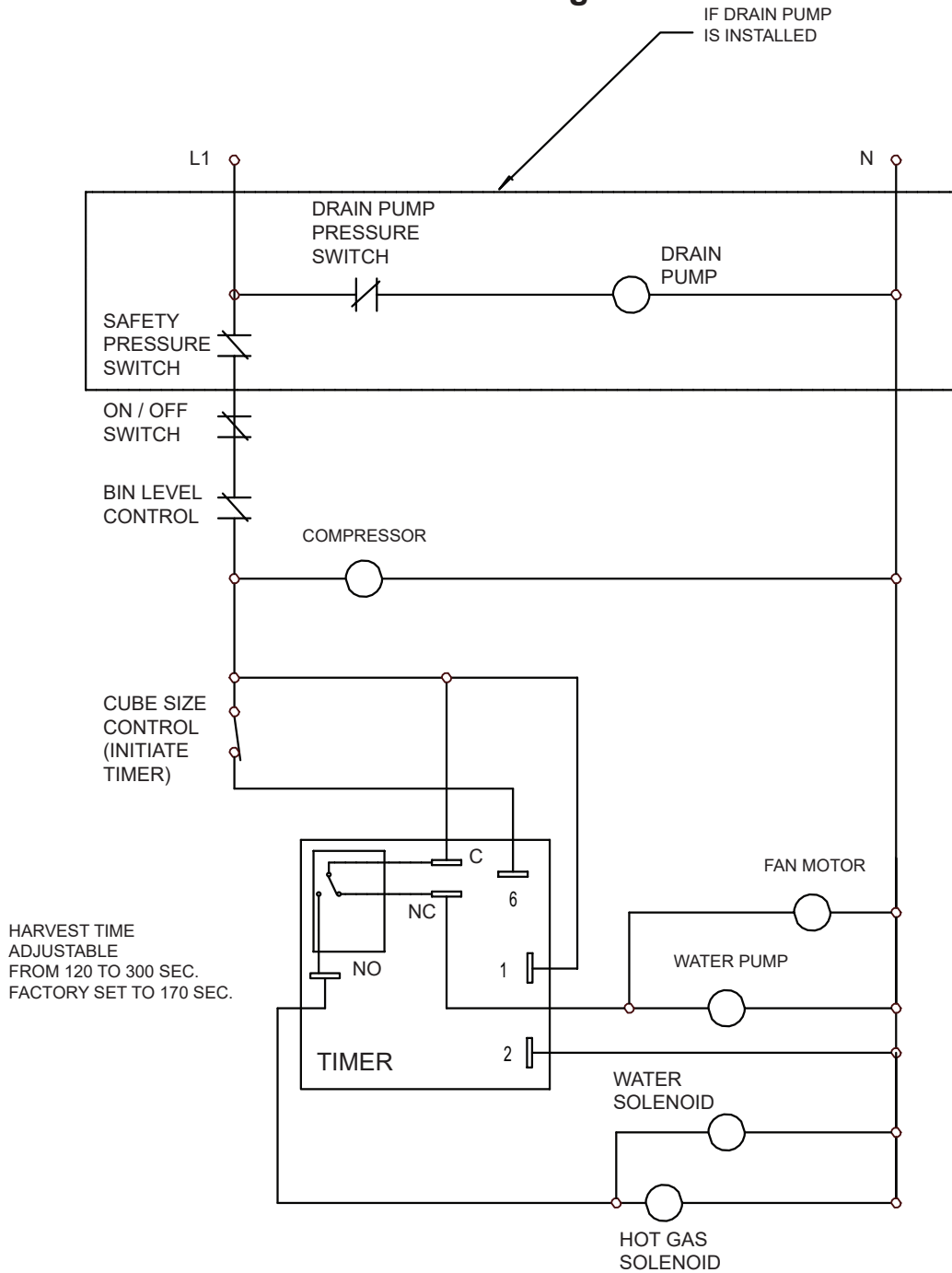
Not shown:

NS1	12-3005-02	Hi voltage harness, lower
NS2	12-3005-01	Hi voltage harness, upper
NS3	12-1638-21	Power cord

Note: If replacing the lower harness always replace the upper one too.

SCCG30 & SCCP30 Service Parts

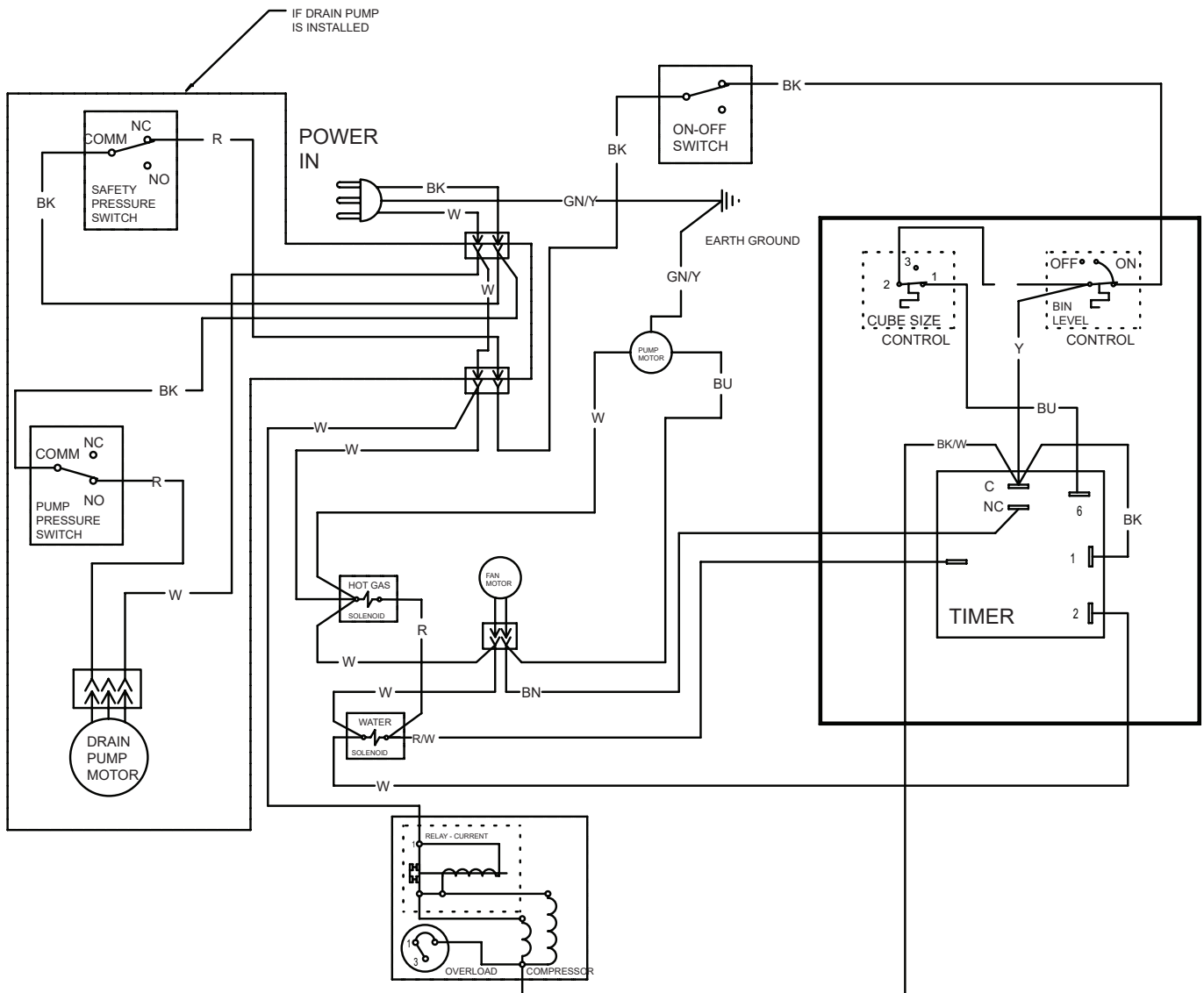
Schematic Diagram



SWITCHES ON THIS UNIT
SHOWN IN TIMED PORTION
OF THE FREEZE CYCLE WITH
DRAIN PUMP IN OPERATION

SCCG30 & SCCP30 Service Parts

Wiring Diagram



SCOTSMAN ICE SYSTEMS

775 Corporate Woods Parkway, Vernon Hills, IL 60061

800-533-6006

www.scotsman-ice.com