

# SCCG50 & SCCP50 Service Parts

This is the illustrated parts list for the SCCG50M and the SCCP50M Residential Ice Machines.

When ordering a service part, always refer to the complete model number of the equipment being repaired to be sure of obtaining the correct part. Many times there are slight differences between models, and having the complete model number will aide in selecting the correct part.

The condenser fan motor, fan blade, fan motor brackets and condenser shroud changed in August 2009. The model number also changed to an A series: SCCG50MA-1. and SCCP50MA-1. In early 2019 the compressor change along with some of the EEPROM values in the controller represented in the B series: SCCG50MB-1 and SCCP50MB-1

Painted models were discontinued in 2013.

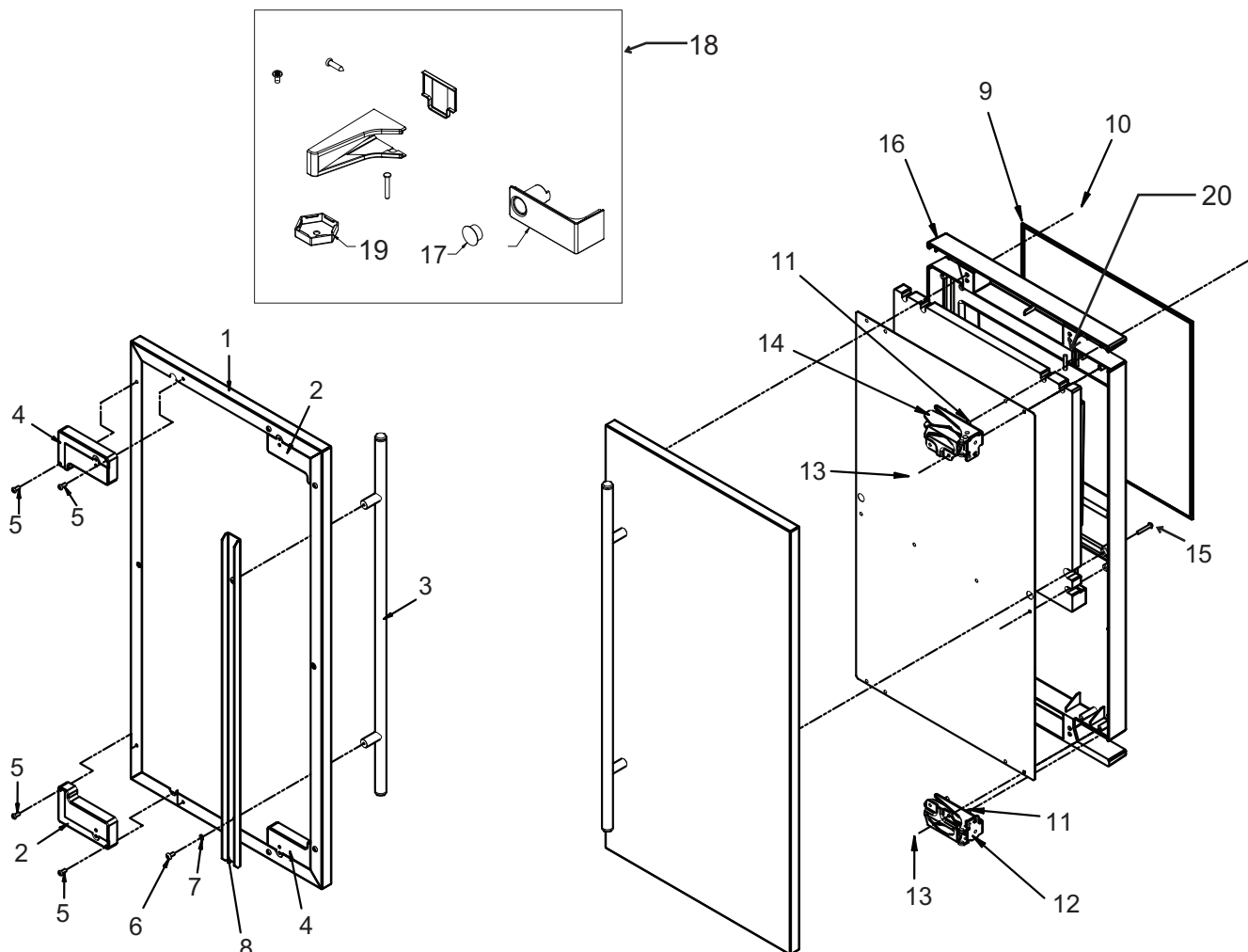
Cabinet changed November 2014 to add service panel.

## Table of Contents

Door . . . . .	Page 2
Cabinet . . . . .	Page 3
Reservoir and Spray Pump . . . . .	Page 4
Refrigeration. . . . .	Page 5
Under Bin Parts . . . . .	Page 6
Control System . . . . .	Page 7
Schematic Diagram . . . . .	Page 8
Wiring Diagram . . . . .	Page 9

# SCCG50 & SCCP50 Service Parts

## Door

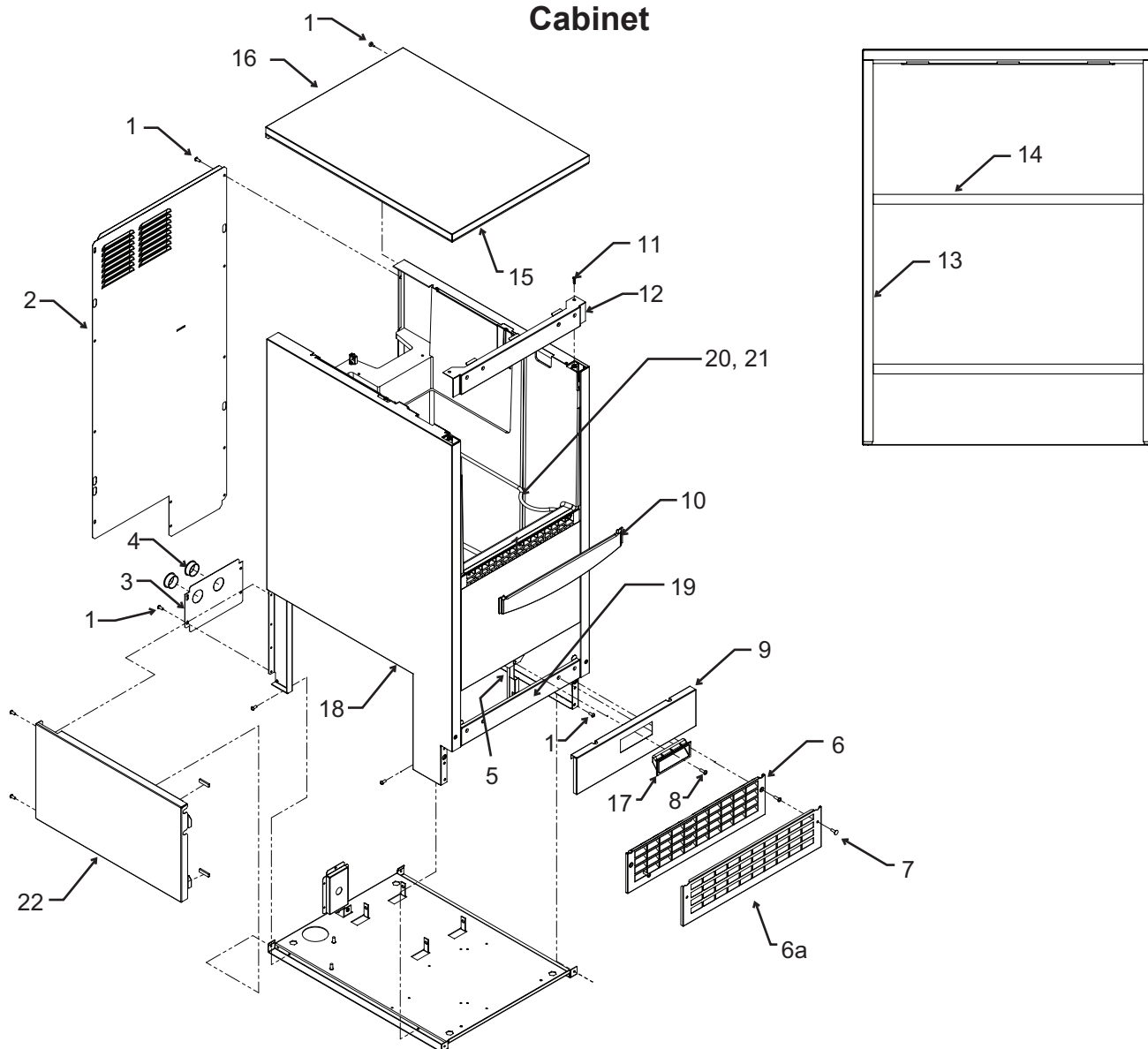


Items 17 and 19 included with item 18, package shipped loose in bin.

Item Number	Part Number	Description	Item Number	Part Number	Description
1		Door panel kits. Kits include items 1 thru 8.	7	03-1410-07	Lockwasher
	KDFW	White panel, white handle	8	A39390-001	Support bracket
	KDFWS	White panel, SS handle	9	13-0949-03	Door gasket
	KDFB	Black panel, black handle	10	03-1404-40	Screw
	kDFBS	Black panel, SS handle	11	03-3818-01	Screw - hinge to cabinet
	KDFS	SS panel, SS handle	12	02-3866-04	Hinge - top left/bottom right
2	02-4433-01	Corner block, RH	13	03-1404-24	Screw - hinge to door
3	02-4430-42	Handle, white	14	02-3866-03	Hinge
	02-4430-52	Handle, black	15	03-1403-67	Screw
	02-4430-01	Handle, SS	16	A39513-001	Door assembly, does not include door panel or hinges
4	02-4433-02	Corner block, LH	17	02-1875-07	Hole plug
5	03-1531-01	Screw	18	02-4474-01	Hinge package
6	03-3811-01	Screw	19	02-4415-20	Leg cap, pack of 4
			20	11-0580-01	Magnet, door switch Top Is indicated by paint mark.

# SCCG50 & SCCP50 Service Parts

## Cabinet

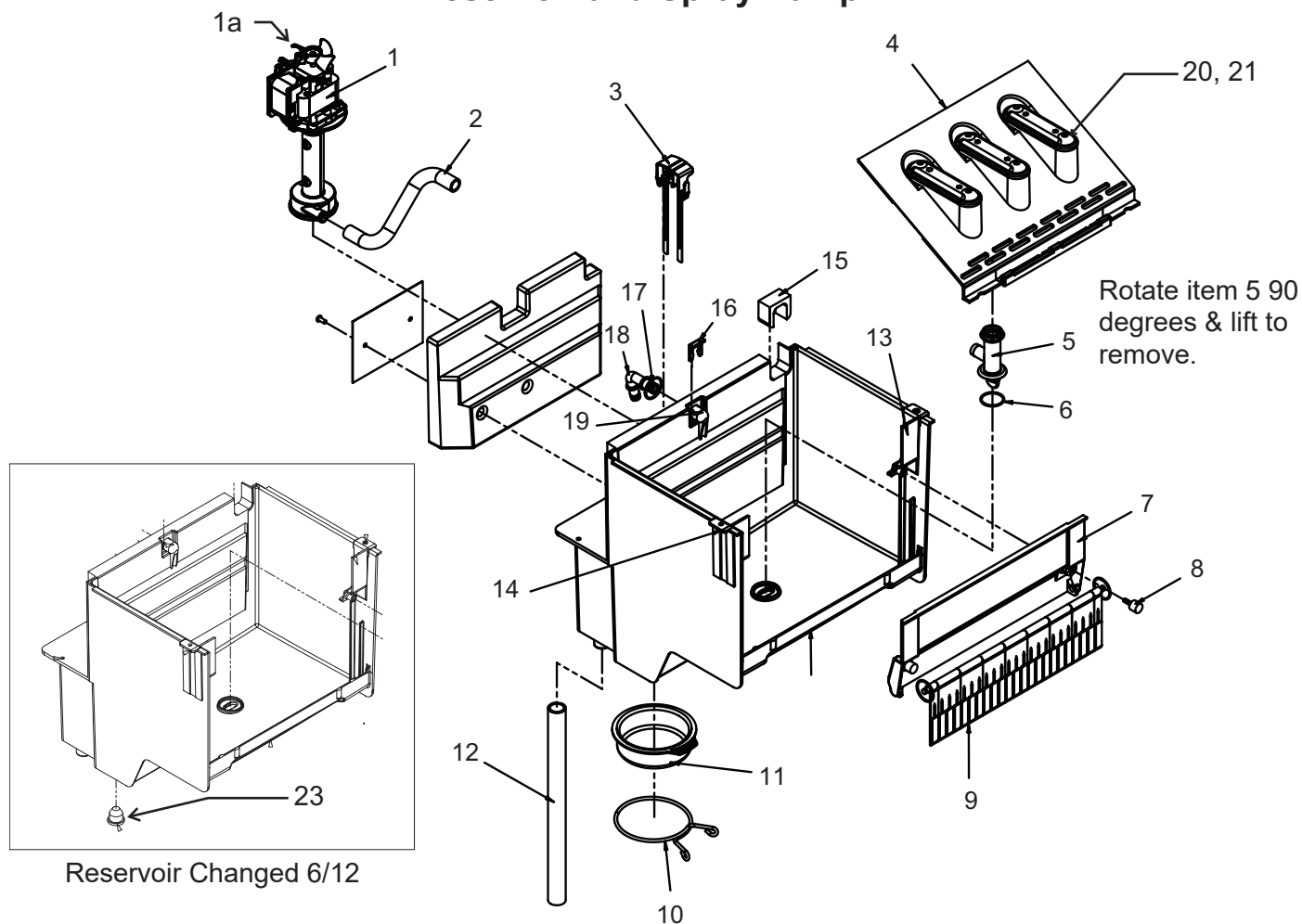


Item Number	Part Number	Description
1	03-1404-10	Screw
2	A39363-001	Back panel
3	A39389-001	Utility routing bracket
4	12-1213-11	Snap bushing
5	A39392-001	Srv panel mntg bracket
6	02-4390-01	Kickplate
6a	A39469-001	Kickplate, SS for outdoor model
7	03-1403-86	Screw
8	02-4441-01	Panel handle
9	A39381-003	Service panel, SS
10	02-4392-01	Bin edging
11	03-3836-03	Screw
12	A39364-003	Top hinge brkt, RH SS
	A39364-007	Top hinge brkt, L & R SS*
12a	03-3813-01	Screw to fill holes
13	13-0943-05	Gasket
14	13-0943-03	Gasket strip
15	02-4426-01	Insulation pad
16	A39362-003	Top panel, SS
17	02-4441-01	Panel handle
18	A39618-001	SS cabinet & bin
19	A39385-003	Btm hinge brkt, L & R SS**
20	A34816-001	Bin stat bracket/scoop hldr
21	02-4391-01	Scoop
22	A39615-001	Service panel

\* changed 1/12 to add left and right hinge mounting.  
Painted parts no longer available.

# SCCG50 & SCCP50 Service Parts

## Reservoir and Spray Pump



Item Number	Part Number	Description
1	12-2986-21	Water pump, incl item 1a
1a	02-1719-00	Fan blade
2	02-4379-01	Pump discharge hose
3	A39030-023	Water probe
4	02-4371-03	Spray platform
5	02-4368-01	Water Tee
6	13-0617-11	O-ring
7	02-4365-01	Front bracket
8	03-3892-01	Thumb screw
9	A39357-001	Curtain
10	02-4383-01	Clamp, not used after 6/12
11	02-4369-01	Drain cap, not used after 6/12.
12	02-4428-01	Drain tube
13	02-4375-02	Evap bracket, left
14	02-4375-01	Evap bracket, right

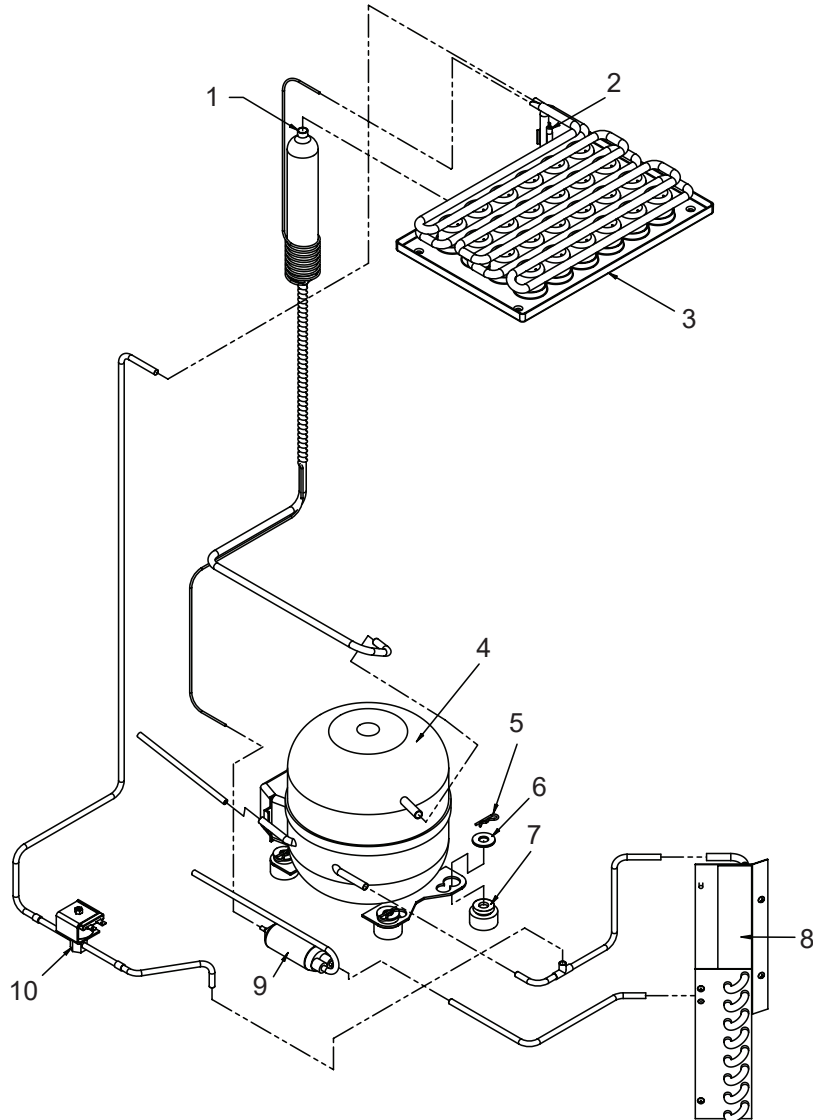
15	02-4475-01	Grommet
16	02-4381-03	Clip
17	13-0617-04	O-ring
18	02-4381-01	Barbed fitting
18a	02-0694-00	Clamp
19	02-4381-02	Spout
20	02-4373-01	O-ring
21	02-4370-21	Spray nozzle, kit. Set of 3 nozzles, o-rings, screws and nuts.

Item 22 is a plastic cover that fits over the evaporator tubing and cups. It was added in 2013

22	02-4726-01	Evaporator cover
23	13-0840-01	Drain plug, changed 6/12.

# SCCG50 & SCCP50 Service Parts

## Refrigeration

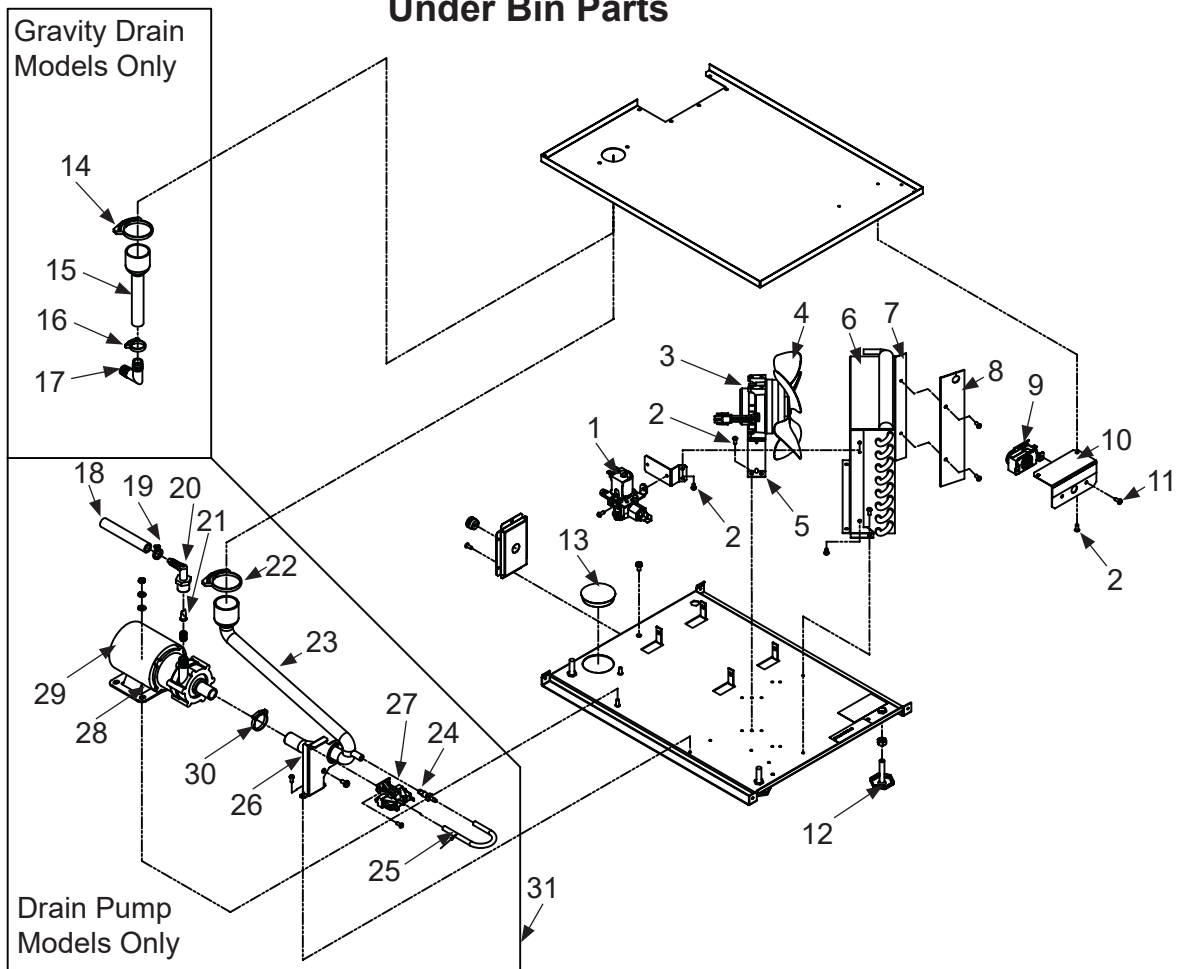


Item Number	Part Number	Description	Item Number	Part Number	Description
1	A39384-001	Suction line accumulator assy	6	03-1407-08	Washer
2	11-0577-01	Thermistor	7	18-4700-28	Grommet
2a	03-1711-01	Thermister holder	8	18-8940-01	Condenser
3	02-4376-01	Evaporator	9	02-4416-01	Drier
4	18-8939-21	Compressor* <b>A model</b> Tecumseh TPB0413Y-AA	10	11-0562-21	Hot gas valve
4	18-8994-21	Compressor* <b>B model</b> Tecumseh AE3425Y-AA1A	10a	11-0562-22	HGV coil
4a	18-8939-51	A & B Model Overload			
4b	18-8939-52	A Model Relay			
4bb	18-8994-52	B Model Relay			
5	03-3821-01	Clip			

\*Compressors includes overload, relay and drier

# SCCG50 & SCCP50 Service Parts

## Under Bin Parts

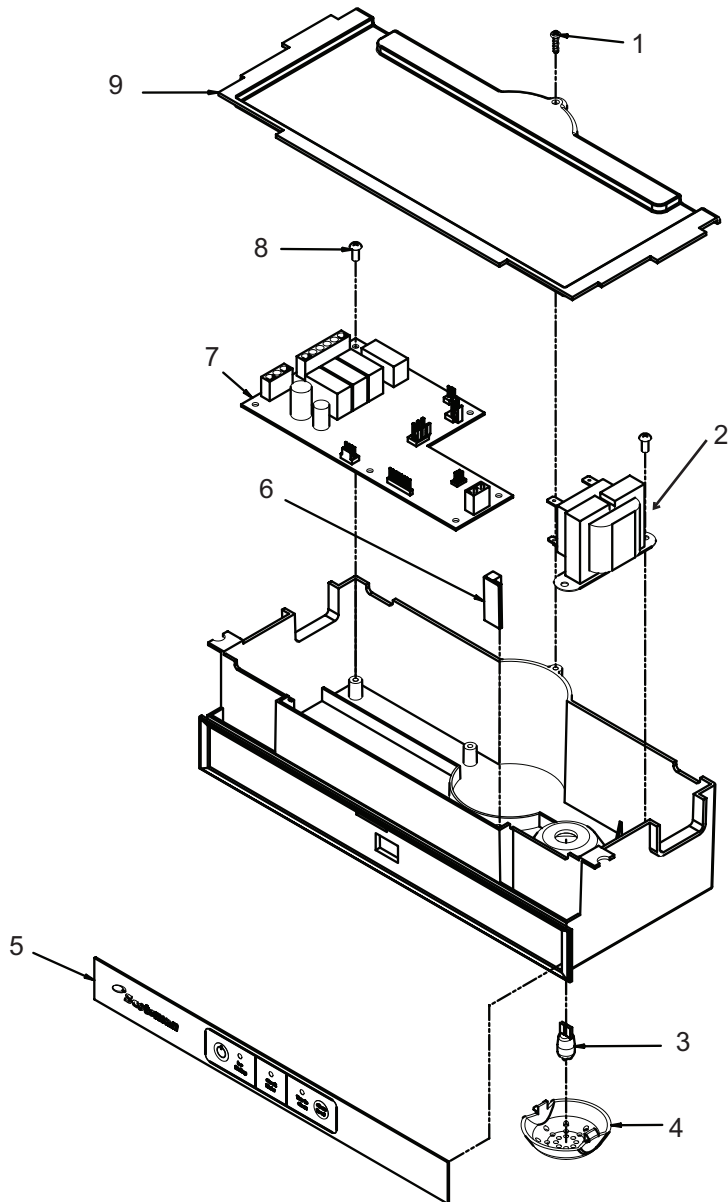


Item Number	Part Number	Description	
1	12-2990-01	Inlet water sol valve	
1a	05-0590-01	Full Hose Req. 4ft	
2	03-1531-01	Screw	
3	12-2396-02	Fan motor	
	12-3024-01	Fan motor, A,B series	
4	18-8941-01	Fan blade	
	02-4197-01	Fan blade, A,B series	
5	A39555-001	Fan motor bracket	
A39555-001 bracket attaches to shroud. Use on prior models requires 2 brackets & A39359-001.			
	A39556-001	Fan motor bracket A,B series	
6	A39359-001	Fan shroud	
	A39460-001	Fan shroud, A series	
7	13-0909-01	Gasket, order 1 & cut to fit	
8	02-4450-01	Air baffle	
9	11-0617-21	Thermostat	
10	A39379-001	Thermostat bracket	
11	03-1403-16	Screw	
12	03-1608-01	Leg leveler	
12a	02-4415-01	Leg cap	
13	02-1875-18	Hole plug	
	14	02-2814-13	Hose clamp
	15	02-4412-01	Drain hose
	16	02-2814-08	Hose clamp
	17	16-0671-01	Elbow
	18	A37334-001	Discharge hose
	19	02-0534-02	Hose clamp
	20	02-3522-01	Elbow
	21	02-3374-01	Check valve
	22	02-2814-13	Hose clamp
	23	02-4413-01	Drain tube
	24	02-3406-01	Barbed connector
	25	05-0591-01	Switch hose
	26	A39370-001	Switch bracket
	27	11-0504-01	Pressure switch
	28	03-3904-01	Spring
	29	12-2503-21	Pump & motor only
	29a	12-3001-01	Drain pump harness
	30	02-2814-10	Hose clamp
	31	A39462-021*	Pump kit*

**\*The complete kit shouldn't be used for warranty purposes without an authorization number given from tech support.**

# SCCG50 & SCCP50 Service Parts

## Control System



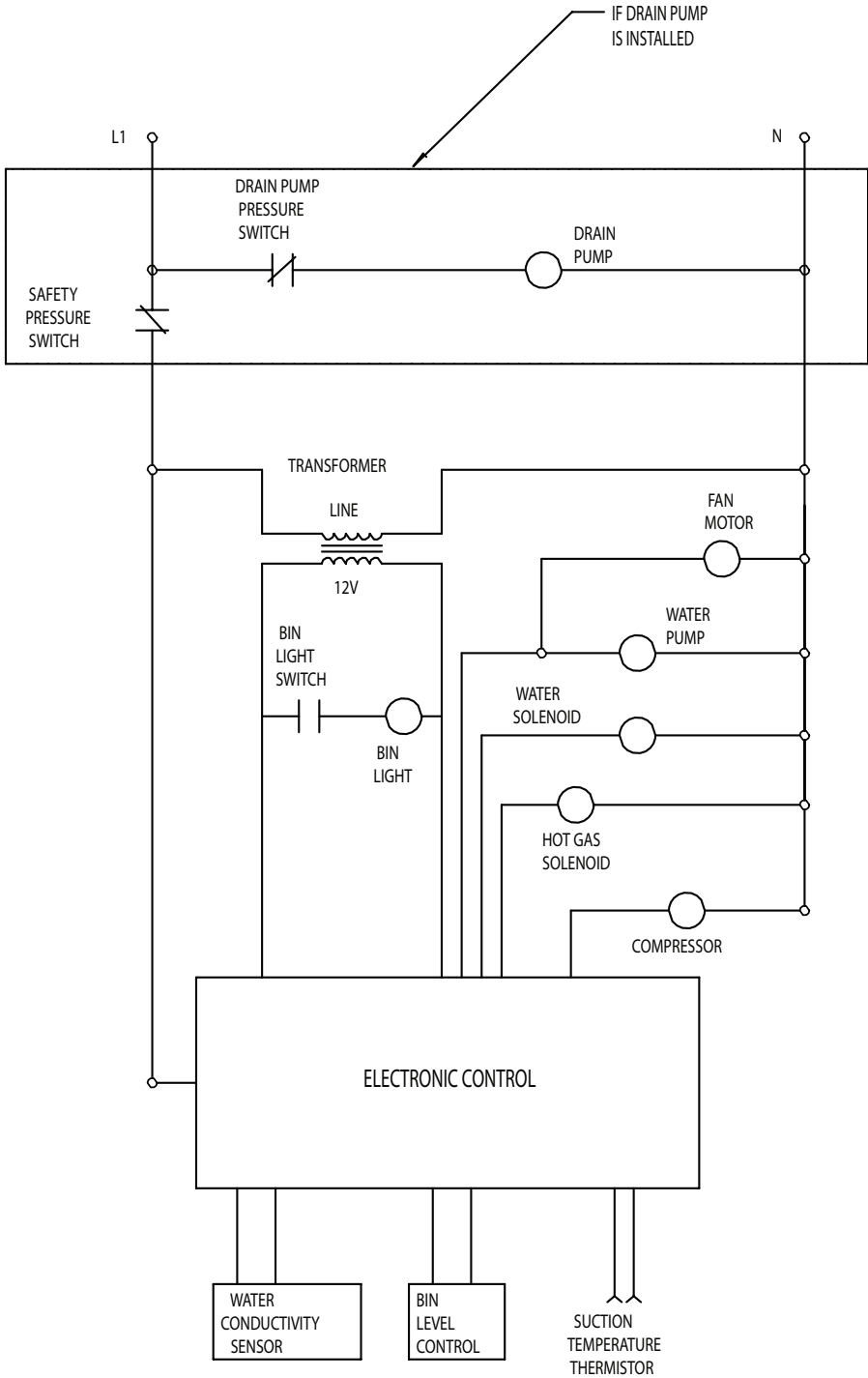
Item Number	Part Number	Description
1	03-3836-03	Screw
2	12-2924-01	Transformer
3	12-3077-01	Bulb
4	02-4380-01	Light cover
5	11-0574-01	Switch panel
6	12-3076-01	Bin light switch, bulb socket and harness
7	11-0573-25	Controller A Model
	11-0573-52	Controller B Model
8	03-1531-01	Screw
9	02-4386-01	Cover

### Not Shown:

NS1	12-3003-01	Bin stat harness
NS2	12-3000-02	Hi voltage harness, lower
NS3	12-3000-01	Hi voltage harness, upper
<b>Note: If replacing the lower harness, always replace the upper one too.</b>		
NS4	12-2992-01	Water sensor harness
NS5	12-1638-21	Power Cord

# SCCG50 & SCCP50 Service Parts

## Schematic Diagram



SWITCHES ON THIS UNIT  
SHOWN IN FREEZE CYCLE  
WITH DRAIN PUMP IN OPERATION  
AND BIN DOOR CLOSED



# SCCG50 & SCCP50 Service Parts

## Wiring Diagram

