

SCN60

Service Parts

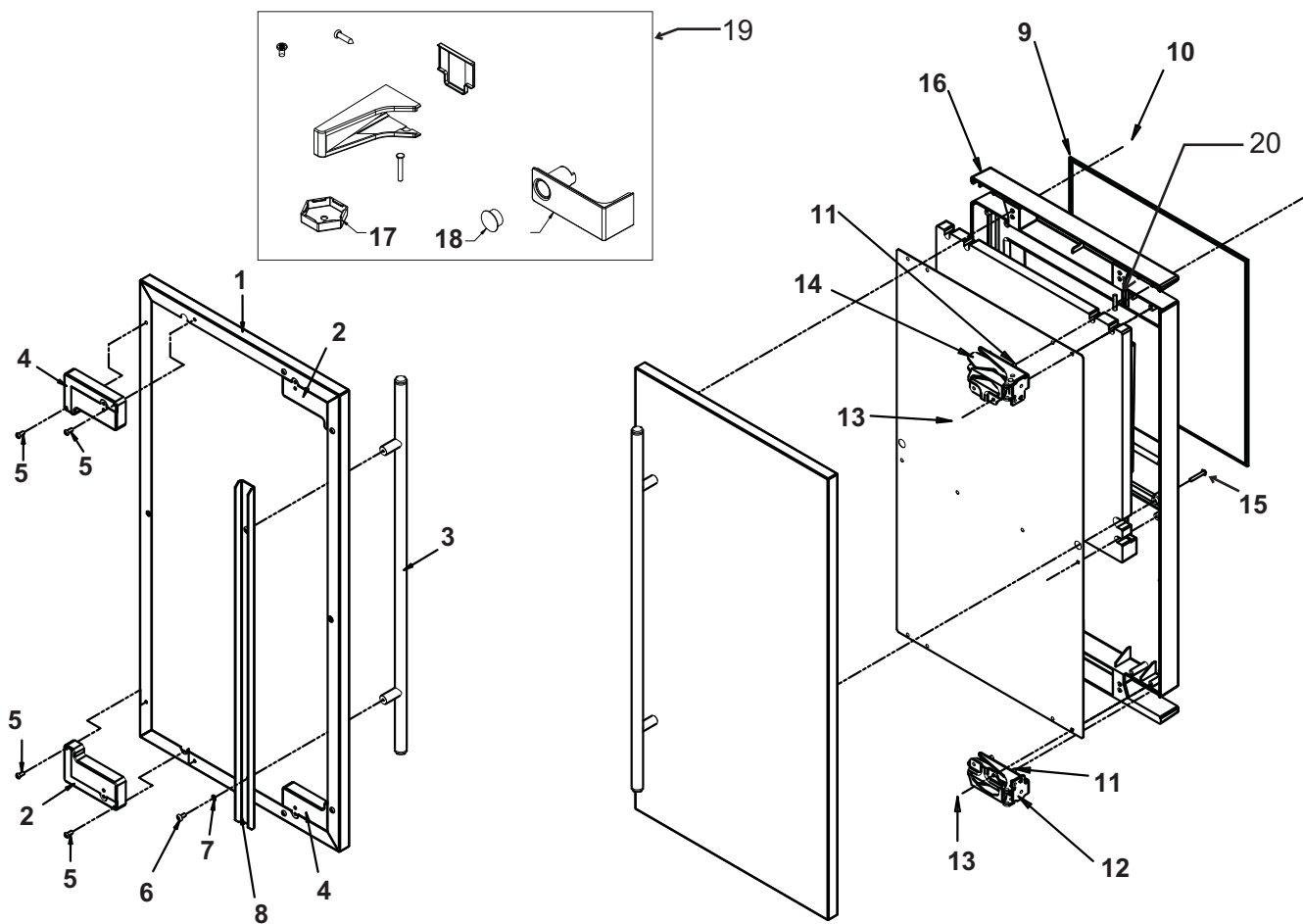
This is the illustrated parts list for the SCN60.
There are two models, one is a gravity drain and the other includes a drain pump. Some units could have had drain pumps field installed.

Table of Contents

| | |
|--|---------|
| Door Components | Page 2 |
| Cabinet | Page 3 |
| Storage Bin and Ice Chute | Page 4 |
| Reservoir, Water Sensor and Misc | Page 5 |
| Refrigeration | Page 6 |
| Under Bin Parts | Page 7 |
| Ice Making Section | Page 8 |
| Control System | Page 9 |
| Wiring Diagram | Page 10 |
| Schematic Diagram | Page 11 |

Service Parts

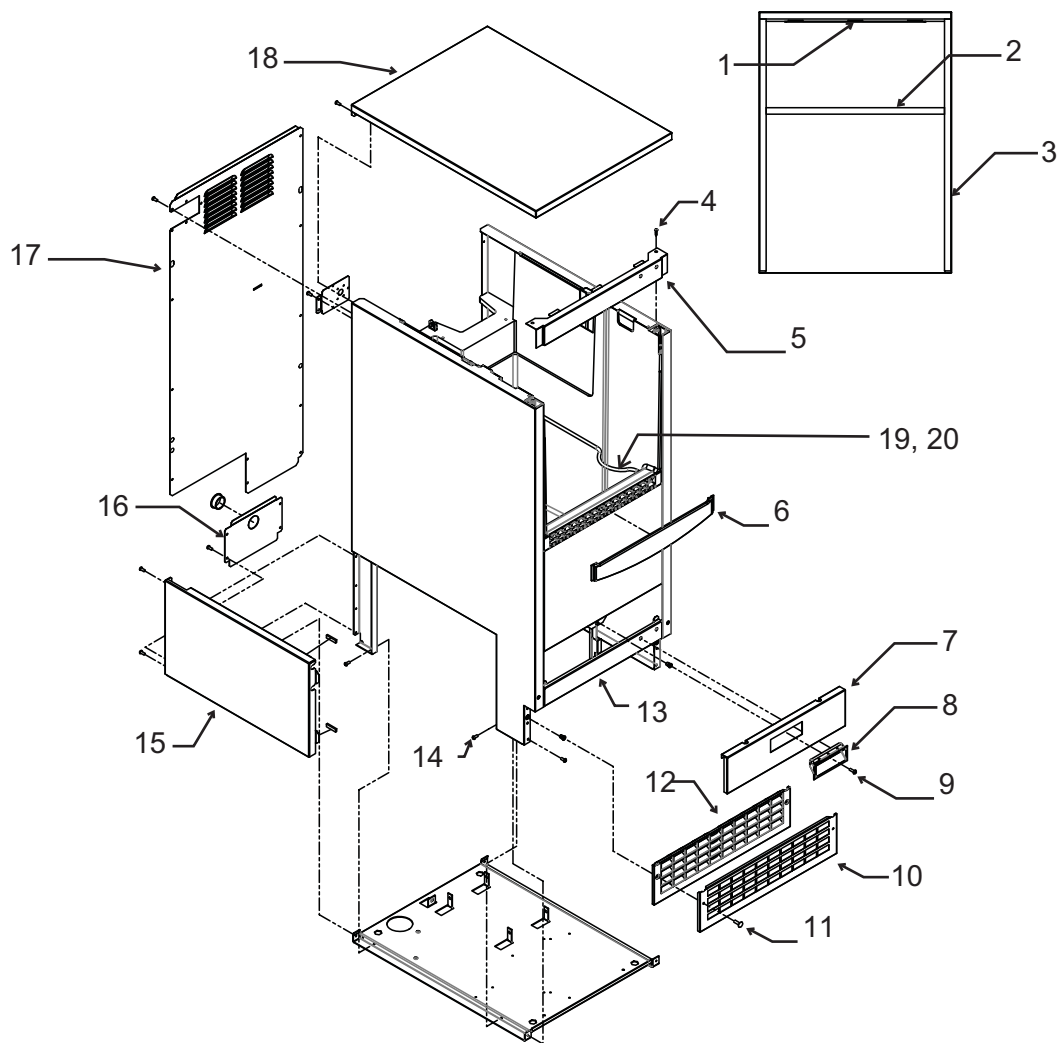
Door Components



| Item Number | Part Number | Description | Part Number | Description |
|-------------|-------------|--|-------------|---|
| 1 | | Door panel kit. Kit includes items 1 thru 8. | 16 | A39513-001 Door assembly, does not include door panel or hinges |
| | KDFS | SS panel, SS handle | 17 | 02-4415-20 Leg cap, pack of 4 |
| 2 | 02-4433-01 | Corner block, RH | 18 | 02-1875-07 Hole plug |
| 3 | 02-4430-01 | Handle, SS | 19 | 02-4474-01 Hinge package |
| 4 | 02-4433-02 | Corner block, LH | 20 | 11-0580-01 Magnet, door switch |
| 5 | 03-1531-01 | Screw | | |
| 6 | 03-3811-01 | Screw | | |
| 7 | 03-1410-07 | Lockwasher | | |
| 8 | A39390-001 | Support bracket | | |
| 9 | 13-0949-03 | Door gasket | | |
| 10 | 03-1404-40 | Screw | | |
| 11 | 03-3818-01 | Screw - hinge to cabinet | | |
| 12 | 02-3866-04 | Hinge - top right/bottom left | | |
| 13 | 03-1404-24 | Screw - hinge to door | | |
| 14 | 02-3866-03 | Hinge | | |
| 15 | 03-1403-67 | Screw | | |

Service Parts

Cabinet

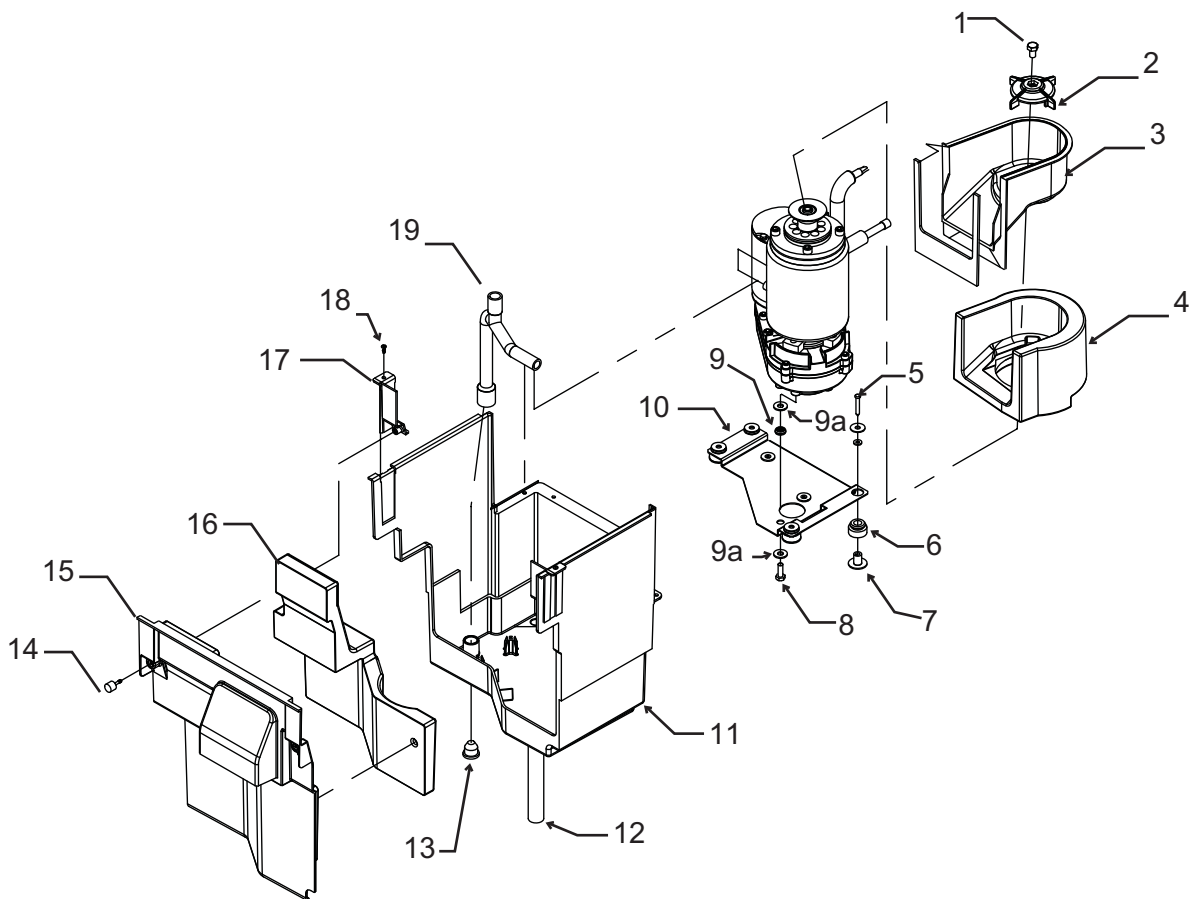


| Item Number | Part Number | Description |
|-------------|-------------|------------------------------------|
| 1 | 13-0943-03 | Gasket, top panel |
| 2 | 13-0943-04 | Gasket, top panel |
| 3 | 13-0943-05 | Gasket, top panel |
| 4 | 03-3836-03 | Screw |
| 5 | A39364-003 | Top hinge bracket, hinge right |
| | A39364-007 | Top hinge bracket, hinge L or R |
| 6 | 02-4392-01 | Inlay |
| 7 | A39381-003 | Front service panel |
| 8 | 02-4441-01 | Handle |
| 9 | 03-1403-86 | Screw |
| 10 | A39469-001 | Kick plate cover |
| 11 | 03-3813-02 | Screw |
| 12 | 02-4390-01 | Kick plate |
| 13 | A39385-003 | Bottom hinge bracket, hinge L or R |
| | A39385-006 | Bottom hinge bracket, hinge left |
| 14 | 03-1531-01 | Screw |
| 15 | A39615-001 | Side service panel |
| 16 | A39683-001 | Drain panel |
| 17 | A39682-001 | Back panel |
| 18 | A39362-003 | Top panel only |
| 18a | 02-4426-01 | Insulation, top panel |
| 19 | A34816-001 | Bin stat bracket |
| 20 | 02-4391-03 | Scoop |

Note: Hinge mounting changed 1/12 to allow left or right mounting.

Service Parts

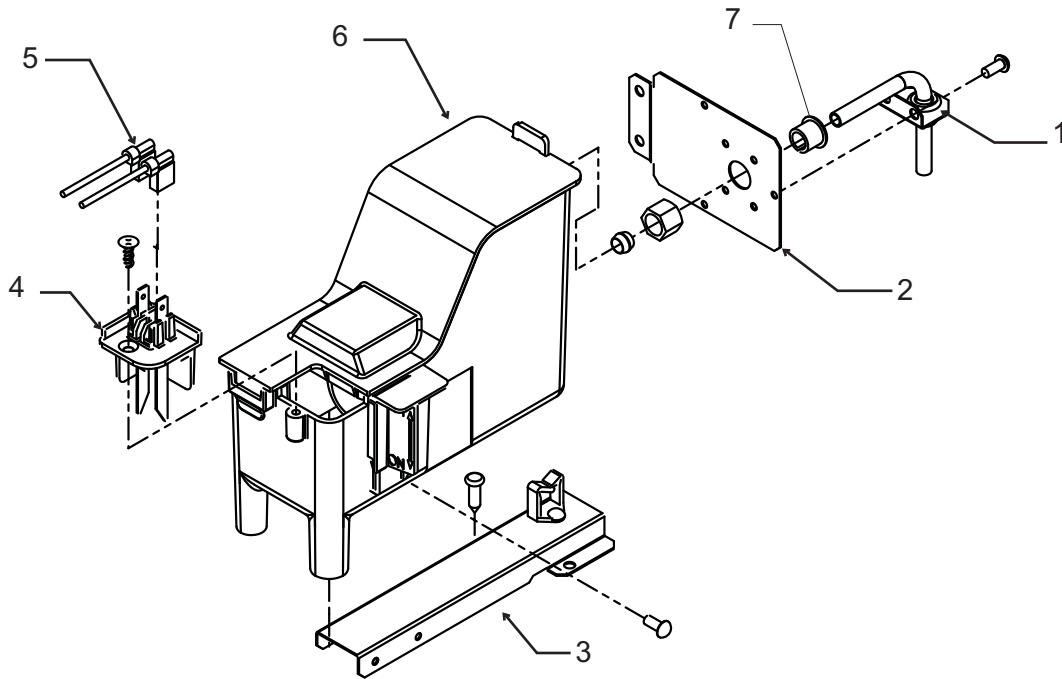
Storage Bin and Ice Chute



| Item Number | Part Number | Description |
|-------------|-------------|-----------------------------------|
| 1 | 03-1405-16 | Screw, 5/16-18 |
| 2 | 02-4628-01 | Ice sweep |
| 3 | 02-4537-21 | Chute |
| 4 | | Chute insulation, part of item 3 |
| 5 | 03-1404-41 | Screw |
| 6 | 03-3935-01 | Grommet |
| 7 | 03-3936-01 | Flanged bushing |
| 8 | 03-1405-07 | Cap screw |
| 9 | 03-3937-01 | Vibration grommet |
| 9a | 03-1407-06 | Washer |
| 10 | A39681-001 | Mounting plate only |
| 11 | 02-4582-01 | Shelf, gear and evap asy |
| 12 | A39782-001 | Drain |
| 13 | 13-0840-01 | Drain plug |
| 14 | 03-3892-01 | Thumb screw |
| 15 | 02-4585-21 | Cover |
| 16 | | Cover insulation, part of item 15 |
| 17 | 02-4375-02 | Support bracket, left |
| | 02-4375-01 | Support bracket, right |
| 18 | 03-3836-03 | Screw |
| 19 | 02-4572-01 | Tube, reservoir to evap |

Service Parts

Reservoir, Water Sensor and Misc



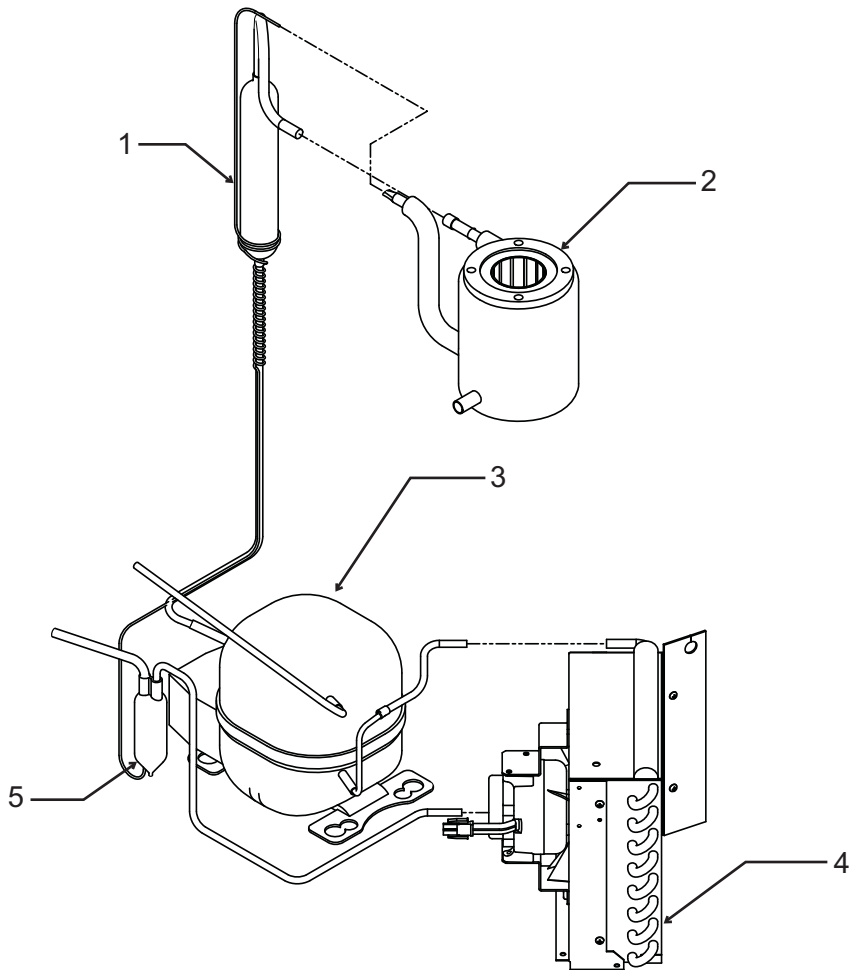
| Item Number | Part Number | Description |
|-------------|-------------|-----------------------------|
| 1 | A39826-001 | Brace |
| 2 | A39693-001 | Bracket |
| 3 | A39775-001 | Reservoir mounting bracket |
| 4 | A39790-001 | Water level sensor |
| 5 | 12-3039-01 | Water sensor harness |
| 6 | A39789-001 | Reservoir w/valve and cover |
| 6a | 02-2217-02 | Float and valve only |

Misc:

| | | |
|----|------------|--|
| 1m | 19-0664-01 | Pre-Mixed Squirt Bottle of Clear 1 scale remover |
| 2m | 19-0664-12 | 12 pack of item 1m |
| 3m | 19-0653-12 | Case of undiluted Clear 1 scale remover |

Service Parts

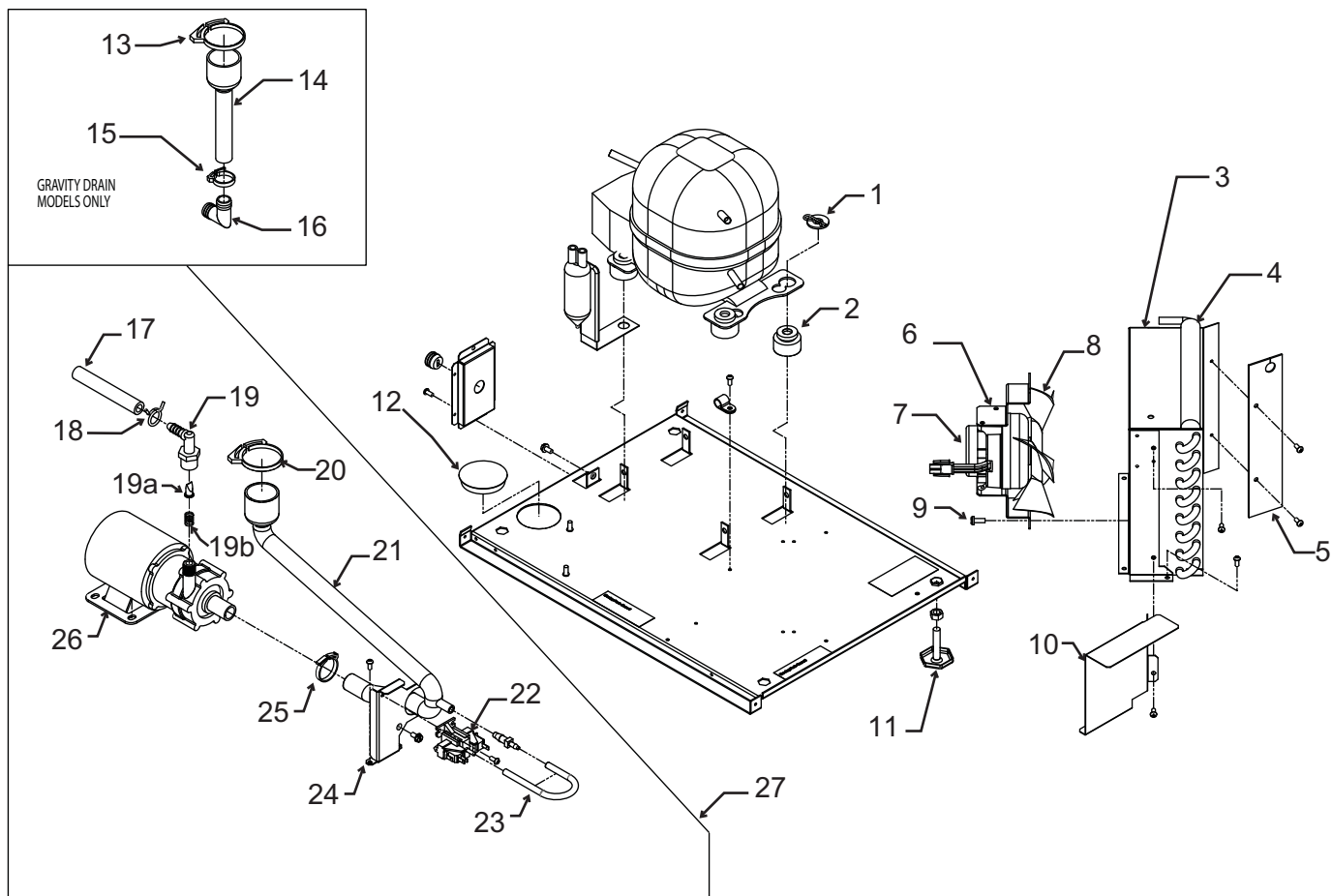
Refrigeration



| Item Number | Part Number | Description |
|---|-------------|-------------------------|
| 1 | A39396-001 | Suction line w/cap tube |
| 2 | 02-4558-01 | Evaporator |
| 3 | 18-8776-21 | Compressor |
| Compressor includes overload, relay and drier | | |
| 3a | 18-8776-52 | Overload |
| 3b | 18-8776-51 | Relay |
| 4 | 18-8940-01 | Condenser |
| 5 | 02-3490-01 | Dryer |

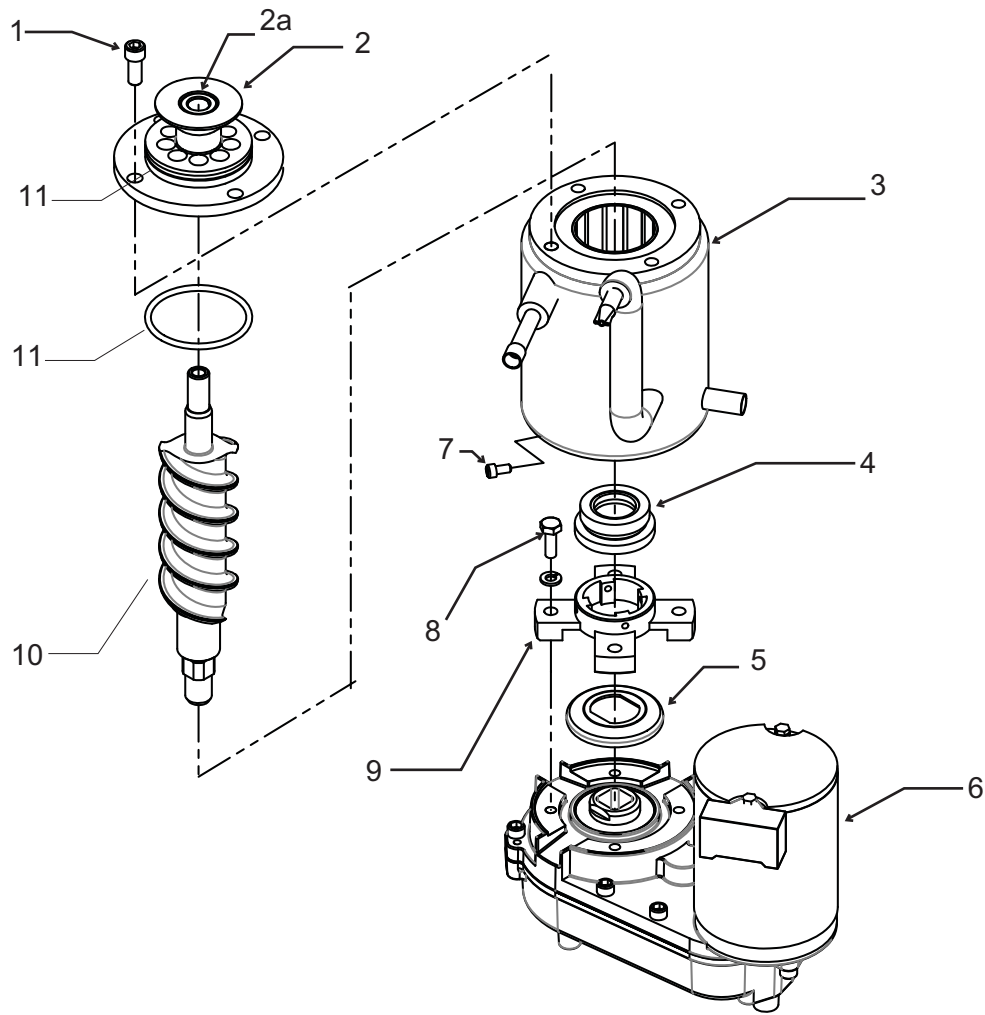
Service Parts

Under Bin Parts



| Item Number | Part Number | Description | Item Number | Part Number | Description |
|-------------|-------------|-------------------------------|-------------|-------------|-------------------|
| 1 | 03-3821-01 | Clip | 18 | 02-0534-02 | Hose clamp |
| 1a | 03-1407-08 | Washer | 19 | 02-3522-01 | Elbow |
| 2 | 18-4700-28 | Grommet | 19a | 02-3374-01 | Check valve |
| 3 | A39460-001 | Shroud | 19b | 03-3904-01 | Spring |
| 4 | 13-0909-01 | Gasket - order 1 & cut to fit | 20 | 02-2814-13 | Hose clamp |
| 5 | 02-4450-01 | Air baffle | 21 | 02-4413-01 | Drain tube |
| 6 | A39556-001 | Fan motor bracket | 22 | 11-0504-01 | Pressure switch |
| 7 | 12-3024-01 | Fan motor | 23 | 05-0591-01 | Switch hose |
| 8 | 02-4197-01 | Fan blade | 24 | A39370-001 | Switch bracket |
| 9 | 03-3818-01 | Screw | 25 | 02-2814-13 | Hose clamp |
| 10 | A39825-001 | Pump model rain shield | 26 | 12-2503-21 | Pump & motor only |
| 11 | 03-1608-01 | Leg leveler | 27 | A39462-021 | Pump kit |
| 12 | 02-1875-18 | Hole plug | | | |
| 13 | 02-2814-13 | Hose clamp | | | |
| 14 | 02-4412-01 | Drain hose | | | |
| 15 | 02-2814-08 | Hose clamp | | | |
| 16 | 16-0671-01 | Elbow | | | |
| 17 | A37334-001 | Discharge hose | | | |

Service Parts
Ice Making Section

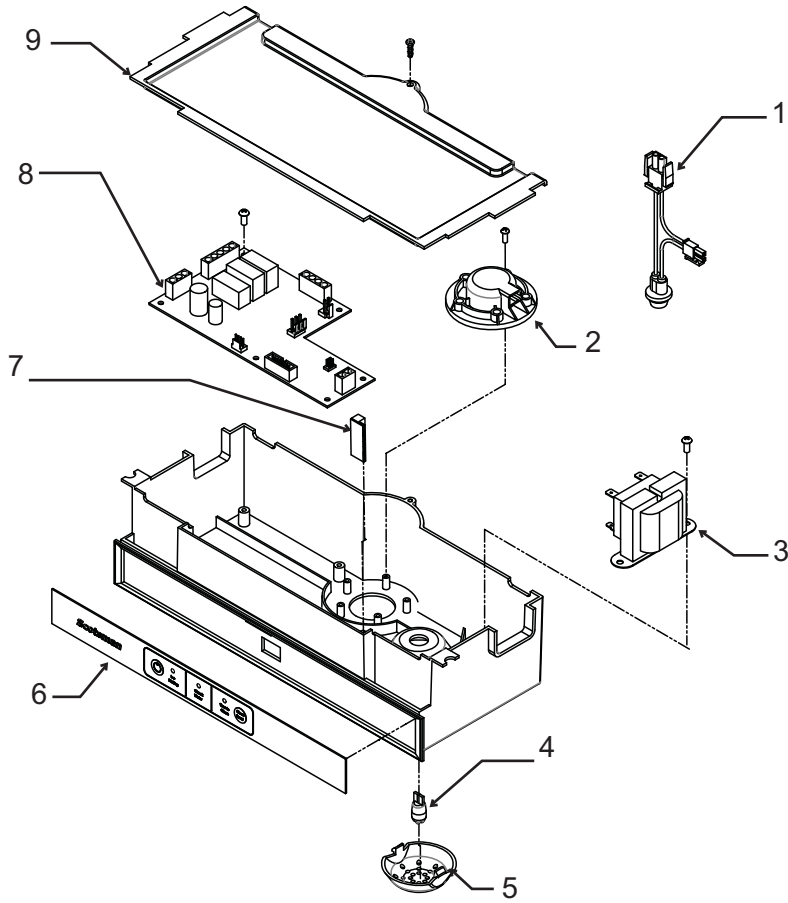


| Item Number | Part Number | Description |
|-------------|-------------|-----------------------|
| 1 | 03-1544-08 | Cap screw |
| 2 | A39531-001 | Breaker w/bearing |
| 2a | 02-4619-01 | Bearing only |
| 3 | 02-4558-01 | Evaporator |
| 4 | 02-4599-21 | Water seal |
| 5 | 02-4662-01 | Water shed |
| 6 | 02-4580-21 | Gear reducer complete |
| 7 | 03-1544-04 | Cap screw |
| 8 | 03-1405-54 | Cap screw |
| 9 | 02-4625-01 | Adapter |
| 10 | 02-4591-21 | Auger |
| 11 | 13-0617-58 | O-ring |

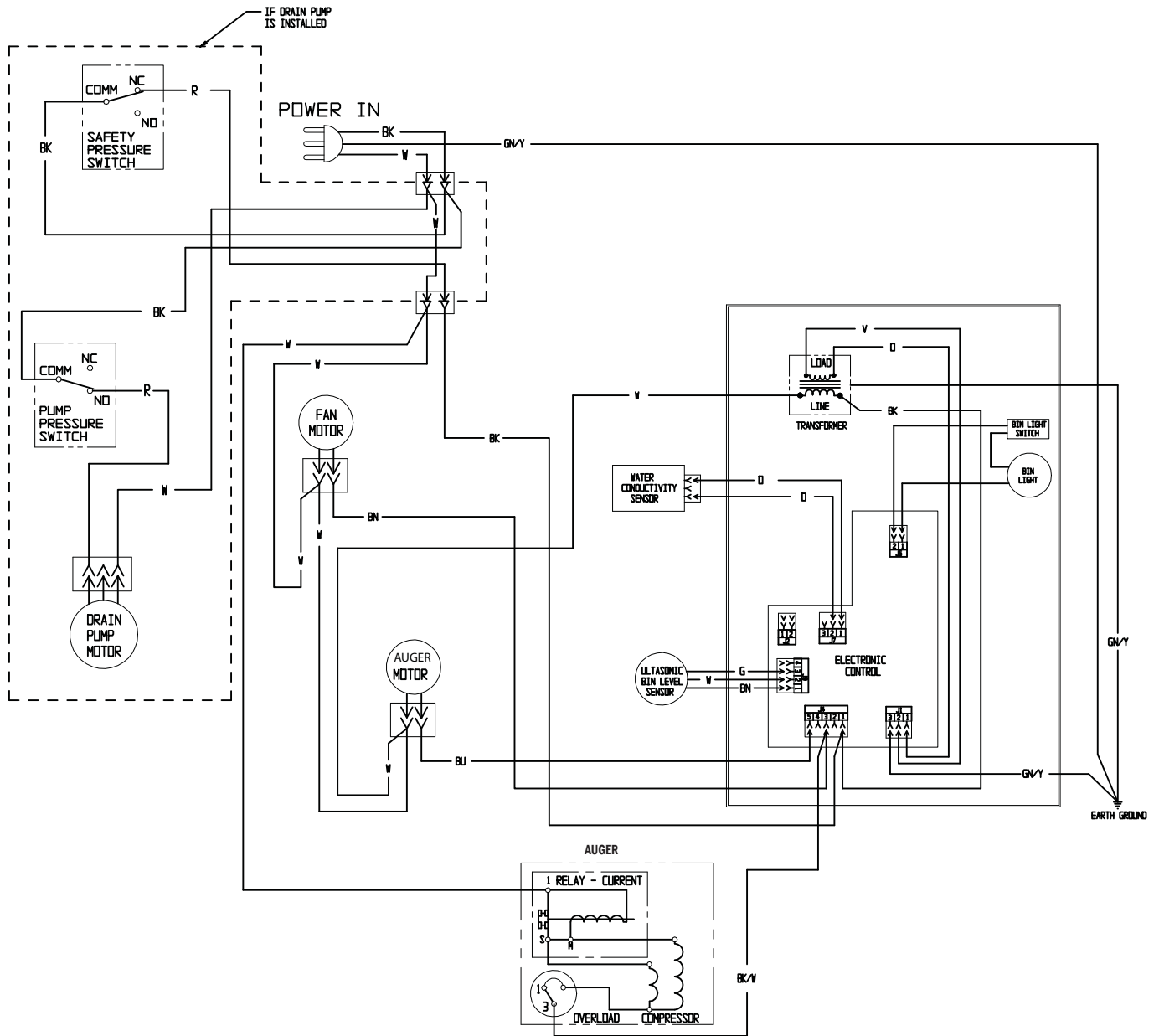
* Must connect wires correctly. See label on motor.

Service Parts

Control System

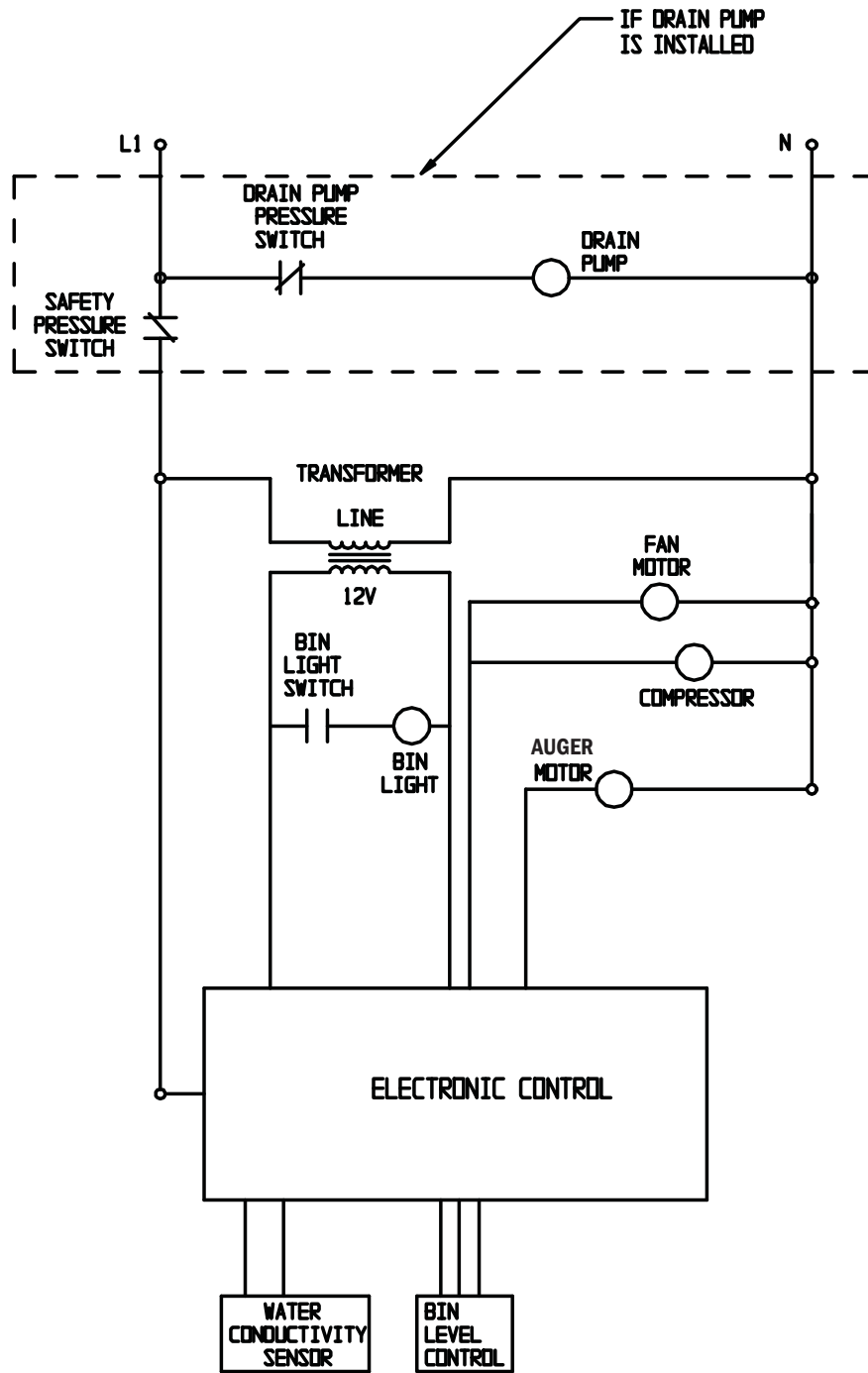


| Item Number | Part Number | Description |
|-------------|-------------|--------------------|
| 1 | 12-2980-02 | Harness, bin light |
| 2 | 11-0579-01 | Ice level sensor |
| 3 | 12-2924-01 | Transformer |
| 4 | 12-2980-01 | Bulb |
| 5 | 02-4380-01 | Light cover |
| 6 | 11-0574-01 | Control panel |
| 7 | 12-2980-03 | Bin light switch |
| 8 | 11-0589-21 | Controller |
| 9 | 02-4386-01 | Cover |



Service Parts

Schematic Diagram



SWITCHES ON THIS UNIT
SHOWN IN FREEZE CYCLE
WITH DRAIN PUMP IN OPERATION
AND BIN DOOR CLOSED