

# SRC035 – 35 lb Gourmet Clear Ice Machine

SRC035 – 35 lb Gourmet Clear Ice Machine

## Brilliance™ Under-Counter Gourmet Ice Machine



### Features

- 15" cabinet width
- Produces up to 35 lbs. of gourmet ice in 24 hours
- Comes with unfinished front panel which can be finished with locally supplied custom wood front panel or Scotsman® front panel stainless steel kit KDFS
- Articulating door hinge system
- Available with built-in drain pump
- Field reversible door

**INDOOR ONLY**

### 24 Hour Ice Production & Storage Capacity

70°F/21°C Air 50°F/10°C Water lb / kg	90°F/32°C Air 70°F/21°C Water lb / kg	Bin Storage Capacity lb / kg
35 / 15.9	16 / 7.2	26 / 12

- Units installed in regions of extreme weather conditions may not reach production capacities.
- Units installed in elevations greater than 6,000 feet or 1,800 meters above sea level require an altitude adjustment to maintain proper ice level.



### Gourmet Clear Ice



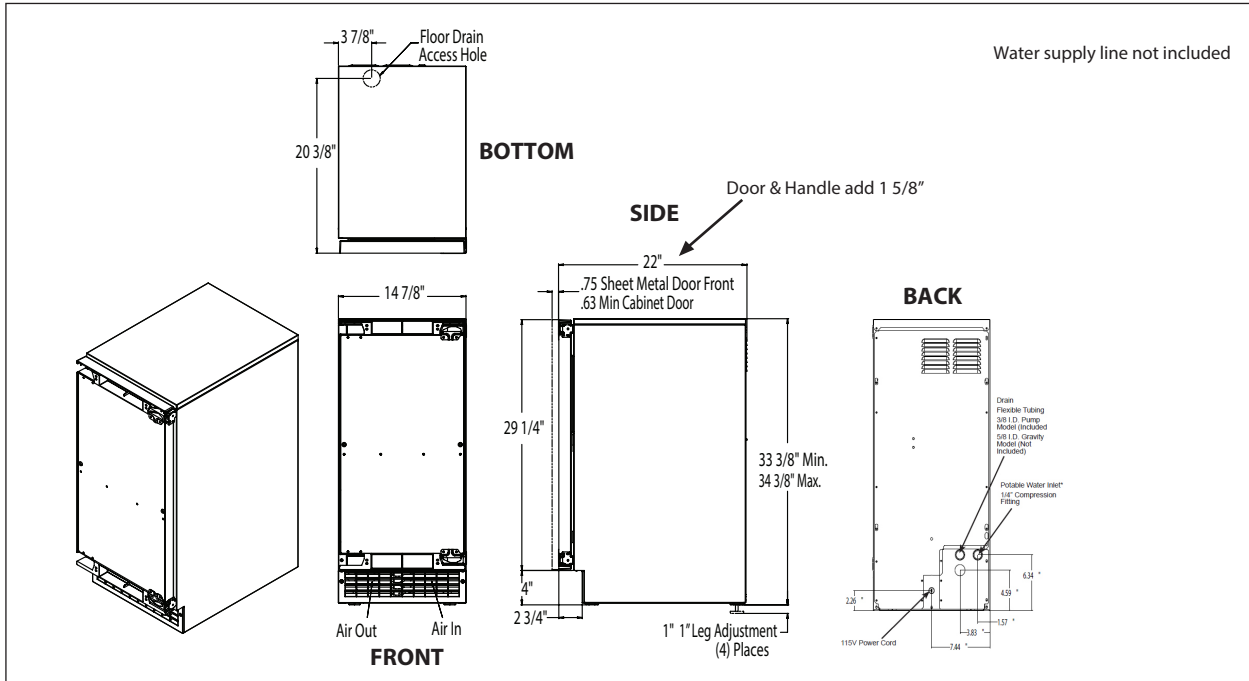
Gourmet Cube  
1" x 1 1/8" x 1 1/4"  
(2.54 x 2.86 x 3.18 cm)

Large, slow-melting ice form, ideal for mixed drinks.

### Warranty

- 1 years parts and labor on all components.
- 5 years parts on the compressor only.

Warranty valid in North America.



### All Models

24 Hour Ice Production:  
(70° Air/50° Water) 35 lb / 15.9 kg  
(90° Air/70° Water) 16 lb / 7.2 kg

Bin Storage Capacity: 26 lb / 12 kg

Condenser Type: Air

Basic Electrical: 15a dedicated circuit required  
(Volts/Hz/Phase) 115/60/1

Amps: 5

Maximum Fuse Size: 15

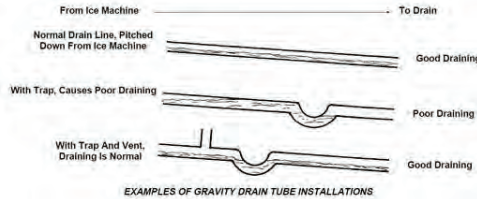
Refrigerant: R290

Dimensions (W x D x H):  
Unit (without legs):  
14.875" x 22" x 33.375"  
(37.8 x 55.9 x 84.78 cm)

Shipping Carton:  
18" x 28" x 38"  
(45.7 x 71.1 x 96.5 cm)

### Specifications

	Model	Finish Cabinet / Front	Drain Type	Shipping Weight lb / kg
Indoor	SRCG035A-1SU	Stainless Steel / Unfinished	Gravity	113 / 51
	SRCP035A-1SU	Stainless Steel / Unfinished	Pump	118 / 54



SRCG: Gravity flow drain tube  
SRCP: Built-in pump to expel drain water which includes 10' drain tube

### Accessories

Model	Description	Shipping Weight lb / kg
KDFS	Stainless Steel Door Front Kit	12 / 5.5
KSSKP	Stainless Steel Kick Plate Cover	5 / 2.26
KATB	Anti-Tip Bracket Kit	2 / 0.9
KDFR	Retro-Fit Door Front Kit	8 / 3.6
19-0653	Clear One Concentrated Scale Remover	

### Operating Requirements

	Minimum	Maximum
<b>Air Temperatures</b>	50°F (10°C)	100°F (38°C)
<b>Water Temperatures</b>	40°F (4.4°C)	100°F (38°C)
<b>Water Pressures</b>	20 PSIG (1 bar)	80 PSIG (5 bar)
<b>Electrical Voltage</b>	-10%	+10%

Machine requires voltage indicated on the rating nameplate. Scotsman SRC065 and SRN110 models are approved for outdoor installations. All products must operate where air temperature does not fall below 50°F and does not exceed 100°F. Extended periods of operation at temperatures exceeding these limitations constitute misuse under the terms of Scotsman Manufacturer's Limited Warranty, resulting in a loss of warranty coverage. Failures caused by improper installation are not considered factory defects. Refer to owner's manual for complete installation requirements. Please note: when installed in a corner, the door swing may be limited due to handle contact with the wall or cabinet face.

• 101 Corporate Woods Parkway, Vernon Hills, IL 60061 • 1-800-SCOTSMAN • www.scotsmanhomeice.com •