

# SRC065 Service Parts

This is the illustrated parts list for the SRC065 Residential Ice Machines.

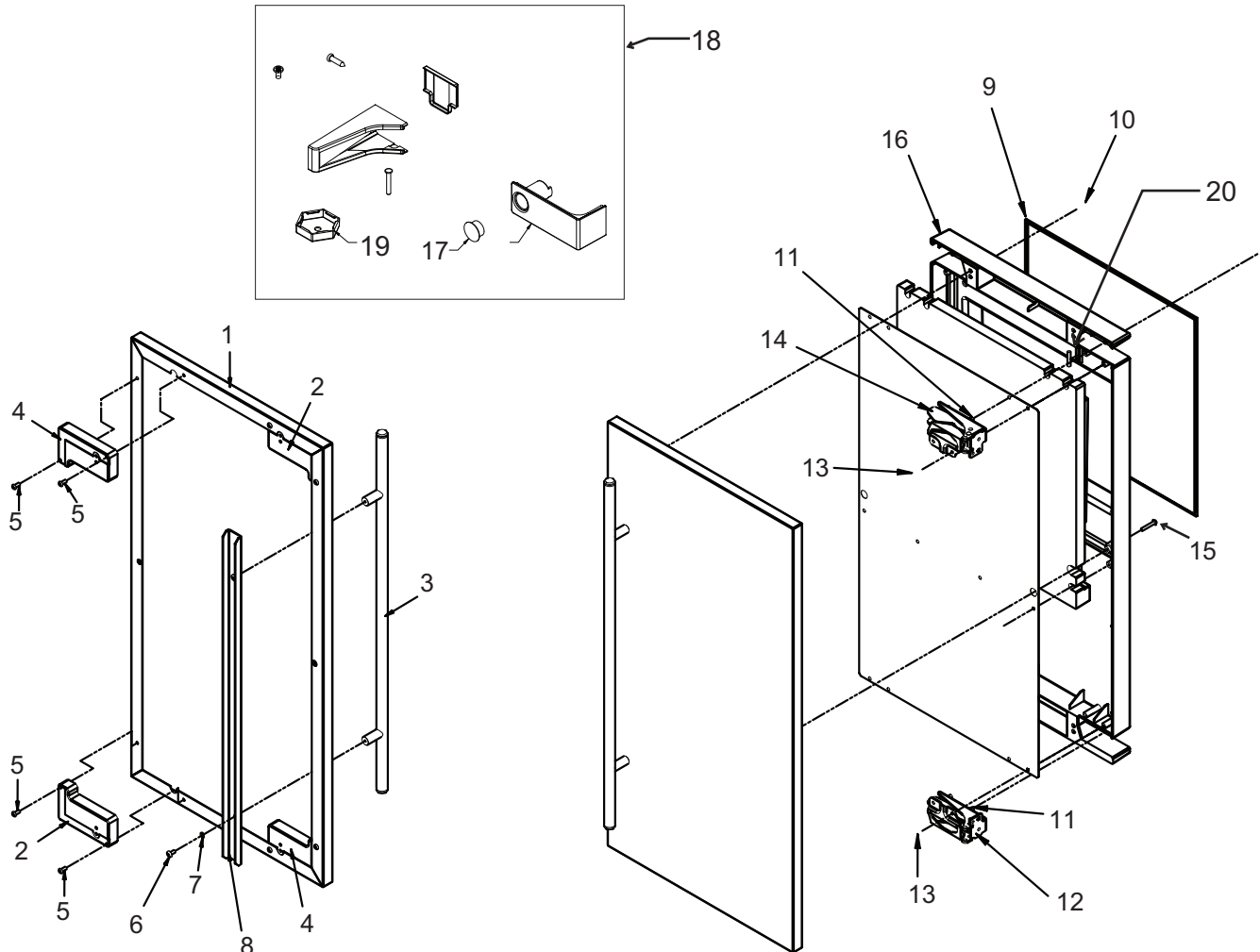
When ordering a service part, always refer to the complete model number of the equipment being repaired to be sure of obtaining the correct part. Many times there are slight differences between models, and having the complete model number will aide in selecting the correct part.

## Table of Contents

Door . . . . .	Page 2
Cabinet . . . . .	Page 3
Reservoir and Spray Pump . . . . .	Page 4
Refrigeration. . . . .	Page 5
Under Bin Parts . . . . .	Page 6
Control System . . . . .	Page 7
Schematic Diagram . . . . .	Page 8
Wiring Diagram . . . . .	Page 9

# SRC065 Service Parts

## Door

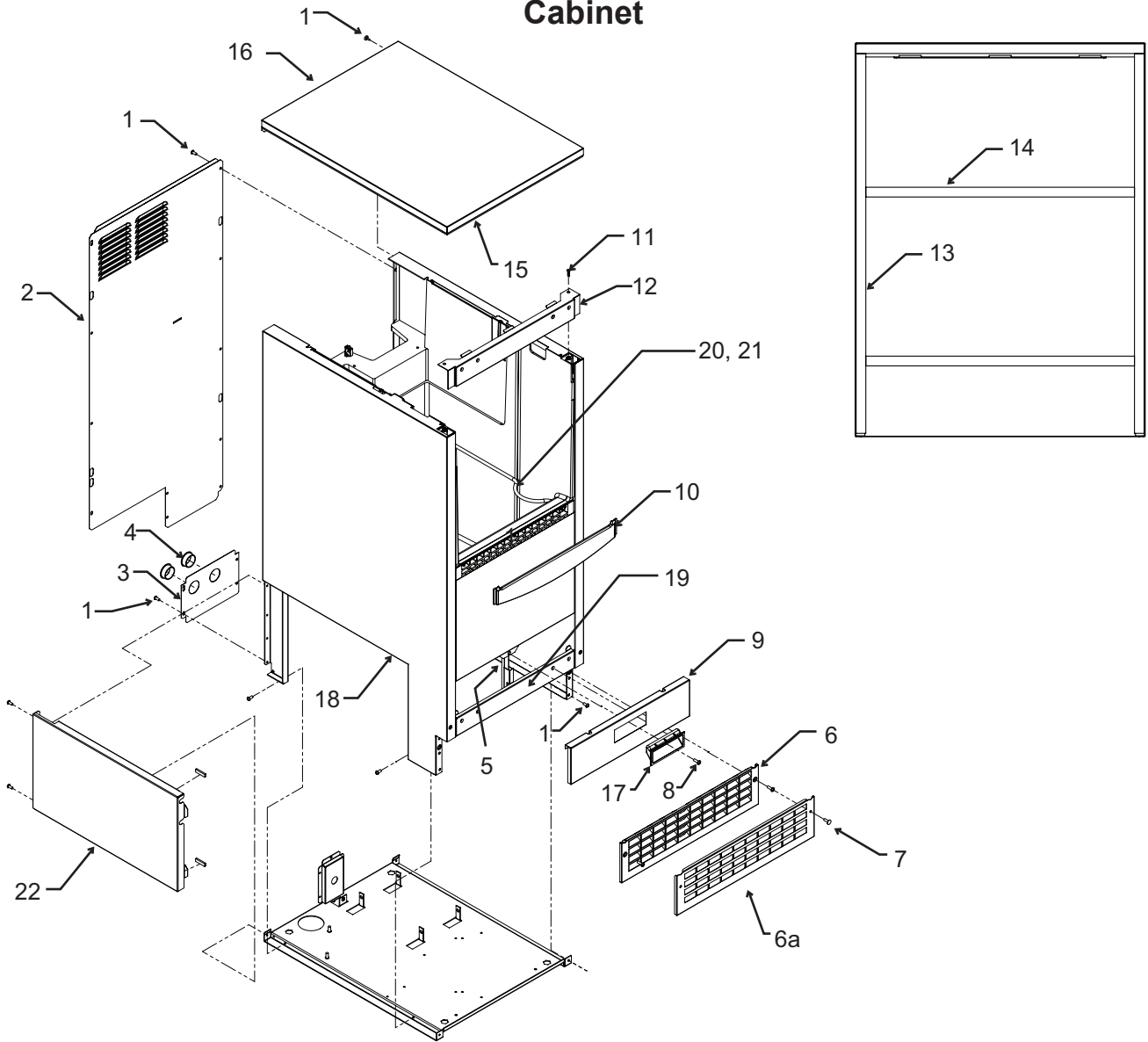


Items 17 and 19 included with item 18, package shipped loose in bin.

Item Number	Part Number	Description	Item Number	Part Number	Description
1	KDFS	SS panel, SS handle	15	03-1403-67	Screw
2	02-4433-01	Corner block, RH	16	A39513-001	Door assembly, does not include door panel or hinges
3	02-4430-01	Handle, SS	17	02-1875-07	Hole plug
4	02-4433-02	Corner block, LH	18	02-4474-01	Hinge package
5	03-1531-01	Screw	19	02-4415-20	Leg cap, pack of 4
6	03-3811-01	Screw	20	11-0580-01	Magnet, door switch Top Is indicated by paint mark.
7	03-1410-07	Lockwasher			
8	A39390-001	Support bracket			
9	13-0949-03	Door gasket			
10	03-1404-40	Screw			
11	03-3818-01	Screw - hinge to cabinet			
12	02-3866-04	Hinge - top left/bottom right			
13	03-1404-24	Screw - hinge to door			
14	02-3866-03	Hinge			

# SRC065 Service Parts

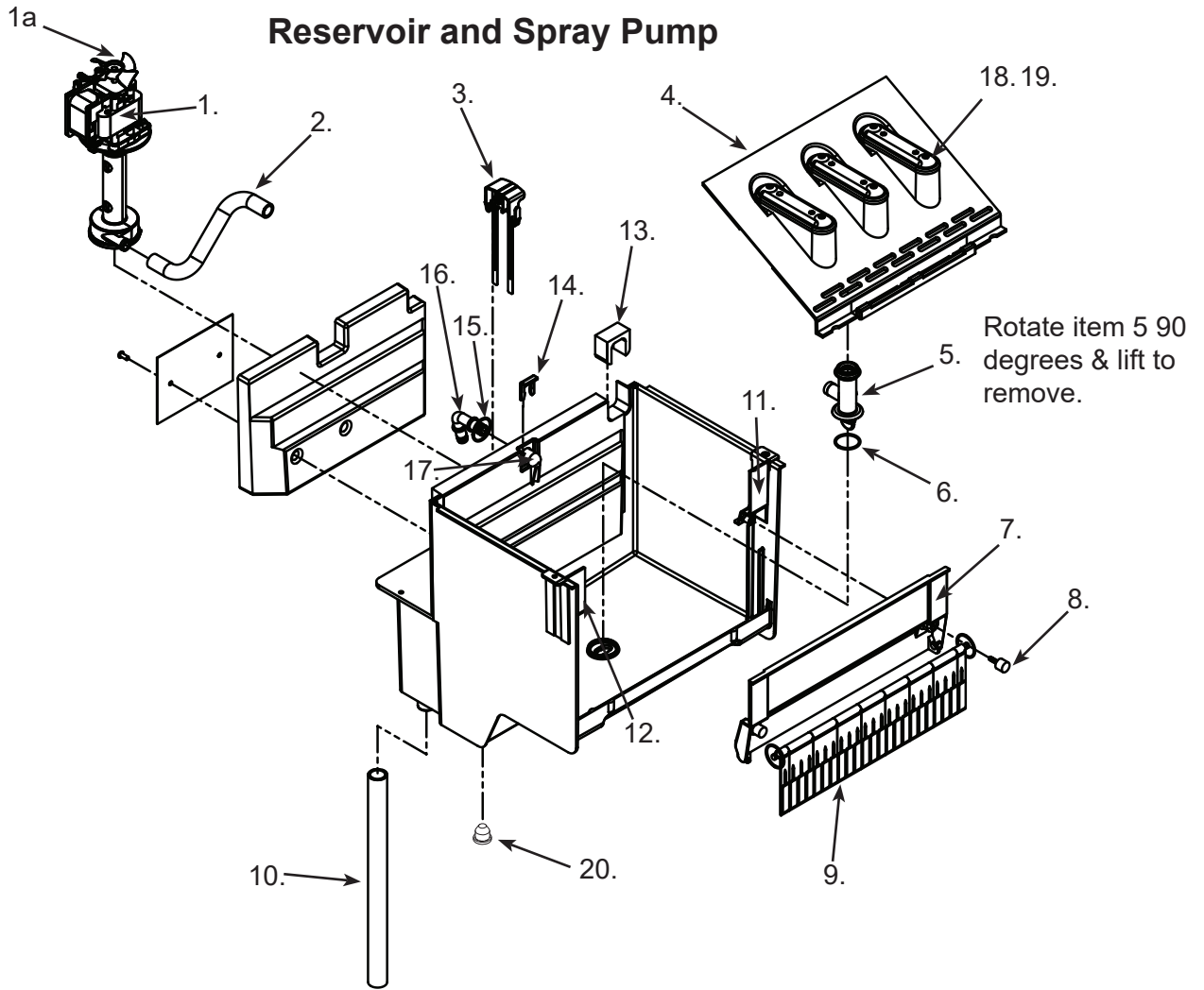
## Cabinet



Item Number	Part Number	Description	Item Number	Part Number	Description
1	03-1404-10	Screw	12	A39364-007	Top hinge brkt, L & R SS*
2	A41647-001	Back panel	12a	03-3813-01	Screw to fill holes
3	A41651-001	Utility routing bracket	13	13-0943-05	Gasket
4	12-1213-11	Snap bushing	14	13-0943-03	Gasket strip
5	A39392-001	Srv panel mntg bracket	15	02-4426-01	Insulation pad
6	02-4390-01	Kickplate	16	A39362-003	Top panel, SS
6a	A39469-001	Kickplate, SS for outdoor model	17	02-4441-01	Panel handle
7	03-1403-86	Screw	18	A39618-001	SS cabinet & bin
8	02-4441-01	Panel handle	19	A39385-003	Btm hinge brkt, L & R SS**
9	A39381-003	Service panel, SS	20	A34816-001	Bin stat bracket/scoop hldr
10	02-4392-01	Bin edging	21	02-4391-03	Scoop
11	03-3836-03	Screw	22	A39615-001	Service panel

# SRC065 Service Parts

## Reservoir and Spray Pump



Item Number	Part Number	Description
1	12-2986-21	Water pump, incl item 1a
1a	02-1719-00	Fan blade
2	02-4379-01	Pump discharge hose
3	02-4037-01	Water probe
4	02-4371-03	Spray platform
5	02-4368-01	Water Tee
6	13-0617-11	O-ring
7	02-4365-01	Front bracket
8	03-3892-01	Thumb screw
9	02-2479-01	Curtain
10	02-4428-01	Drain tube
11	02-4375-02	Evap bracket, left
12	02-4375-01	Evap bracket, right
13	02-4475-01	Grommet
14	02-4381-03	Clip

15	13-0617-04	O-ring
16	02-4381-01	Barbed fitting
17	02-4381-02	Spout
18	02-4373-01	O-ring
19	02-4370-21	Spray nozzle, kit. Set of 3 nozzles, o-rings, screws and nuts.
20	13-0840-01	Drain plug, changed 6/12.

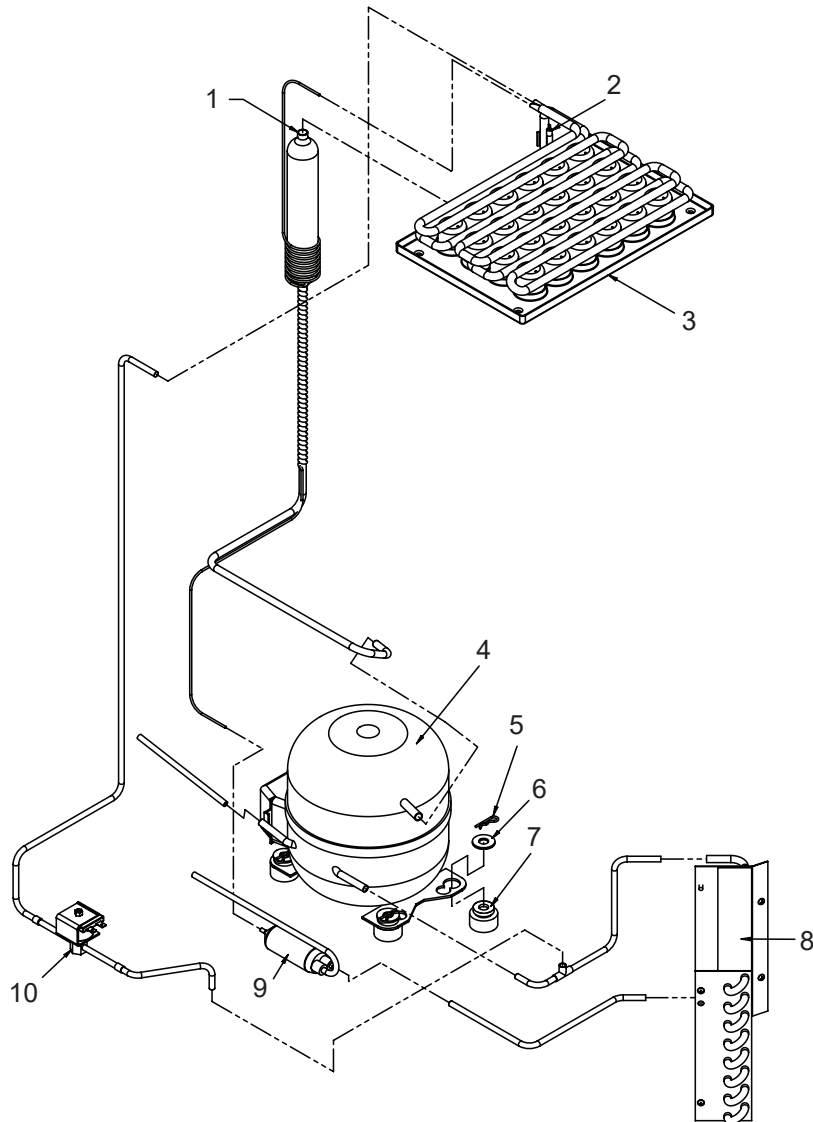
### Items Not Shown

21	02-4726-01	Evaporator cover
----	------------	------------------

Item 21 is a plastic cover that fits over the evaporator tubing and cups.

# SRC065 Service Parts

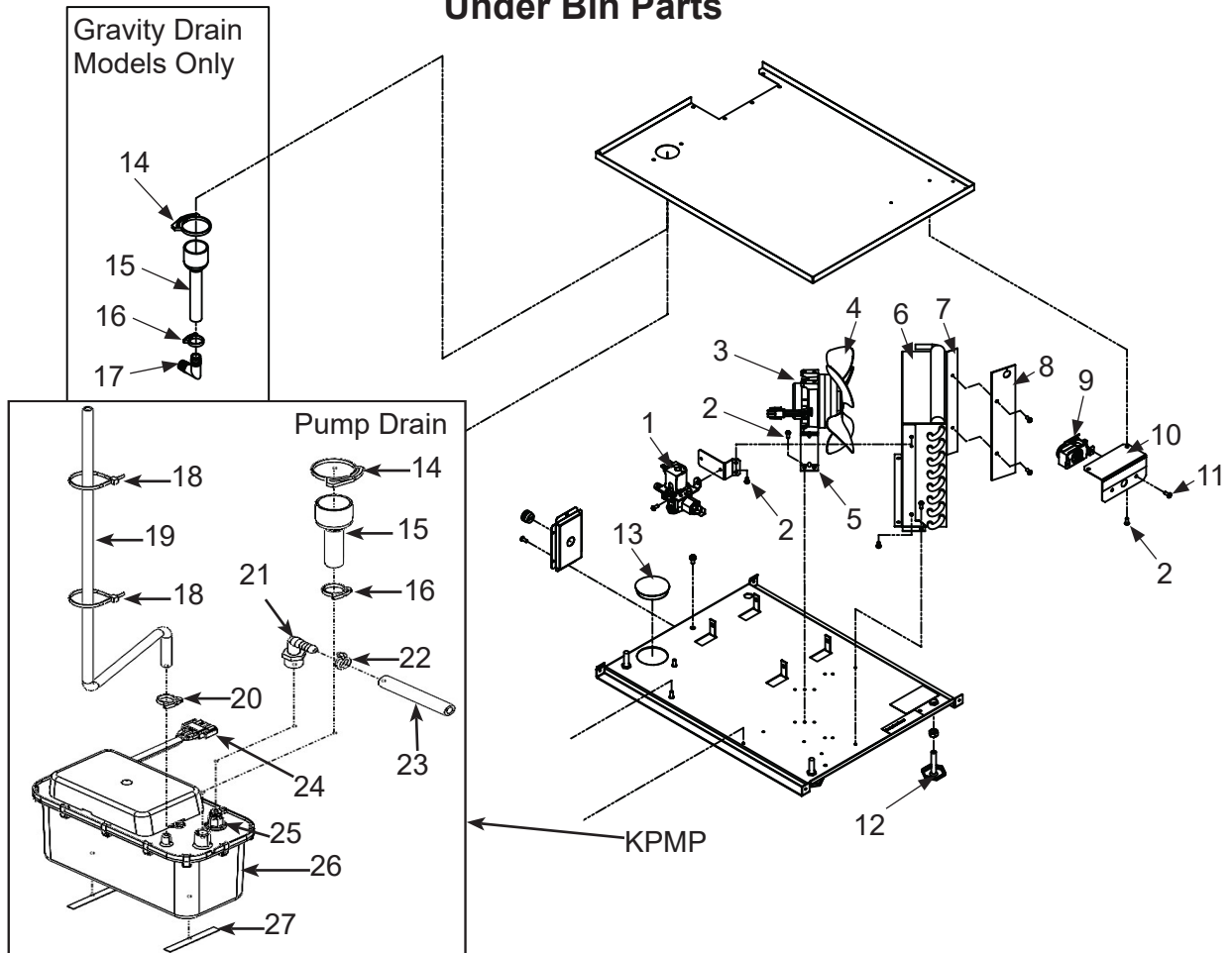
## Refrigeration



Item Number	Part Number	Description	Item Number	Part Number	Description
			8	18-8940-01	Condenser
			9	16-1219-02	Drier
1	16-1151-01	Suction line accumulator assy	10	11-0562-21	Hot gas valve
2	11-0577-01	Thermistor	10a	11-0562-22	HGV coil
2a	03-1711-01	Thermister holder			
3	02-4376-01	Evaporator			
4	18-9001-21	Compressor* Embraco EMX3115U			
4a	18-9001-51	Overload			
4b	18-9001-52	PTCR			
4bb	18-9001-64	Run Capacitor			
5	03-3821-01	Clip			
*Compressors includes overload, relay and drier					
6	03-1407-08	Washer			
7	18-4700-28	Grommet			

# SRC065 Service Parts

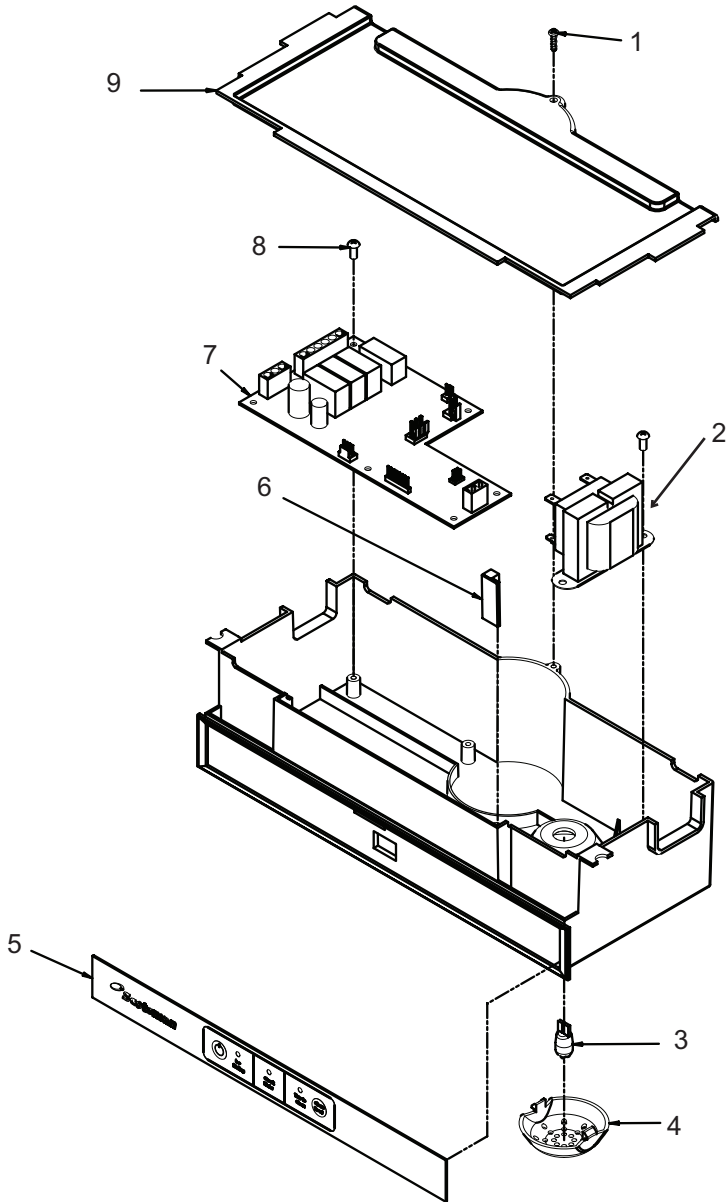
## Under Bin Parts



Item Number	Part Number	Description
1	12-2990-01	Inlet water sol valve
1a	05-0590-01	Full Hose Req. 4ft
2	03-1531-01	Screw
3	12-3024-01	Fan motor
4	18-8941-01	Fan blade
5	A39556-001	Fan motor bracket
6	A39460-001	Fan shroud
7	13-0909-01	Gasket, order 1 & cut to fit
8	02-4450-01	Air baffle
9	11-0670-21	Thermostat
10	A39379-001	Thermostat bracket
11	03-1403-16	Screw
12	03-1608-01	Leg leveler
12a	02-4415-01	Leg cap
13	02-1875-18	Hole plug
14	02-2814-13	Hose clamp
15	02-4412-02	Drain hose
16	02-2814-08	Hose clamp
17	16-0671-01	Elbow
18	02-1798-01	Cable tie
19	02-5237-01	Vent tube
20	02-2814-04	Hose clamp
21	02-3522-01	Discharge elbow
22	02-0534-02	Hose clamp
23	A37334-001	Discharge hose
24	03-1736-01	Cable mount
25	19-0672-01	Thread sealant
26	12-3196-21	Drain pump
27	19-0642-02	Tape
	KPMP	Use to convert gravity drain to pump drain. Includes 12-3196-21

# SRC065 Service Parts

## Control System



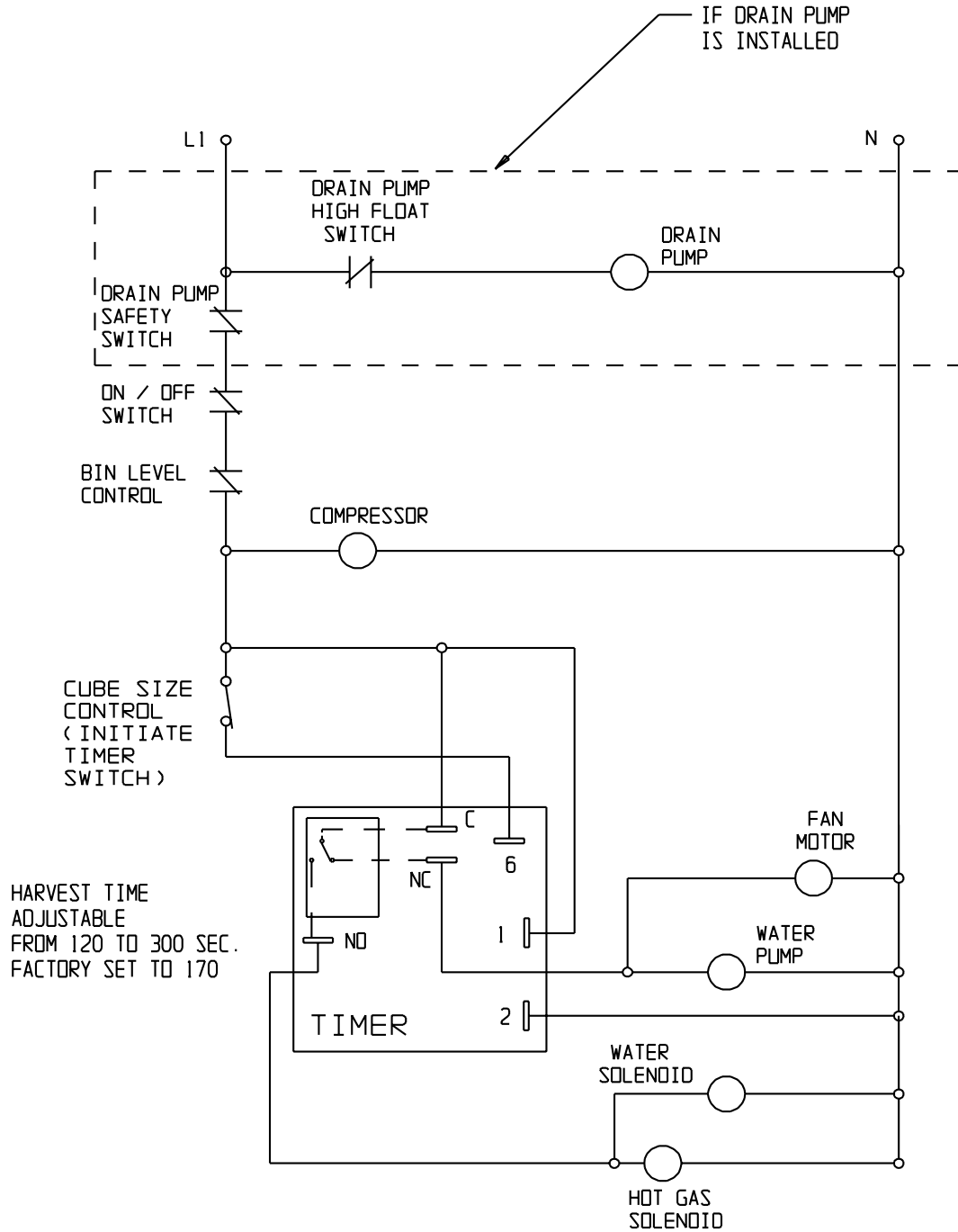
Item Number	Part Number	Description
1	03-3836-03	Screw
2	12-2924-01	Transformer
3	12-3077-01	Bulb
4	02-4380-01	Light cover
5	11-0669-01	Switch panel
6	12-3076-01	Bin light switch, bulb socket and harness
7	11-0663-01	Controller
8	03-1531-01	Screw
9	02-4386-01	Control Box Cover

NS1	12-3003-01	Bin stat harness
NS2	12-3000-02	Hi voltage harness, lower
NS3	12-3000-01	Hi voltage harness, upper
<b>Note: If replacing the lower harness, always replace the upper one too.</b>		
NS4	12-2992-01	Water sensor harness
NS5	12-1638-21	Power Cord

Not Shown:

# SRC065 Service Parts

## Schematic Diagram

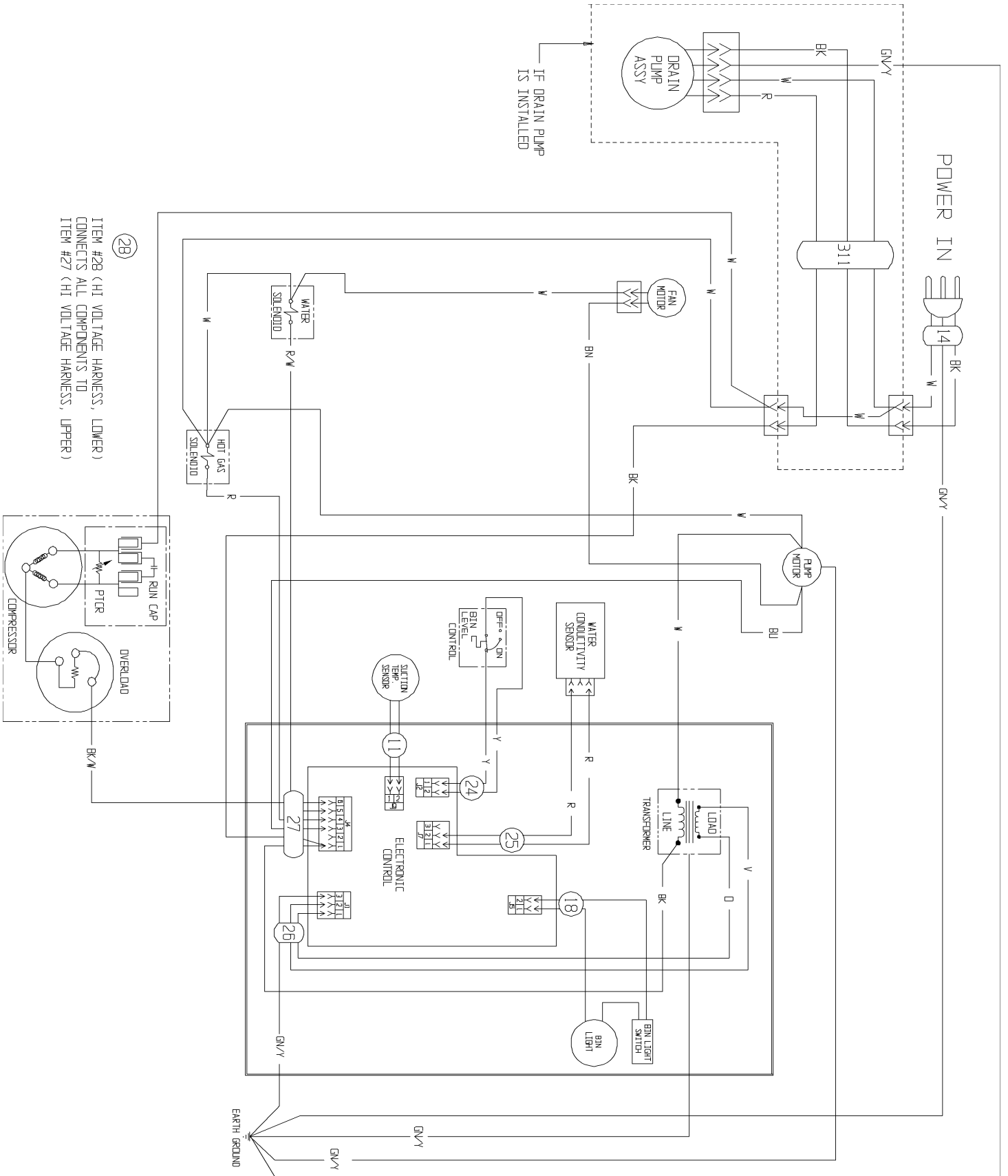


SWITCHES ON THIS UNIT  
SHOWN IN TIMED PORTION  
OF THE FREEZE CYCLE  
WITH DRAIN PUMP IN  
OPERATION



# SRC065 Service Parts

## Wiring Diagram



**SCOTSMAN ICE SYSTEMS**  
**101 Corporate Woods Parkway,**  
**Vernon Hills, IL 60061**  
**[www.scotsman-ice.com](http://www.scotsman-ice.com)**