

# SRN110 Service Parts

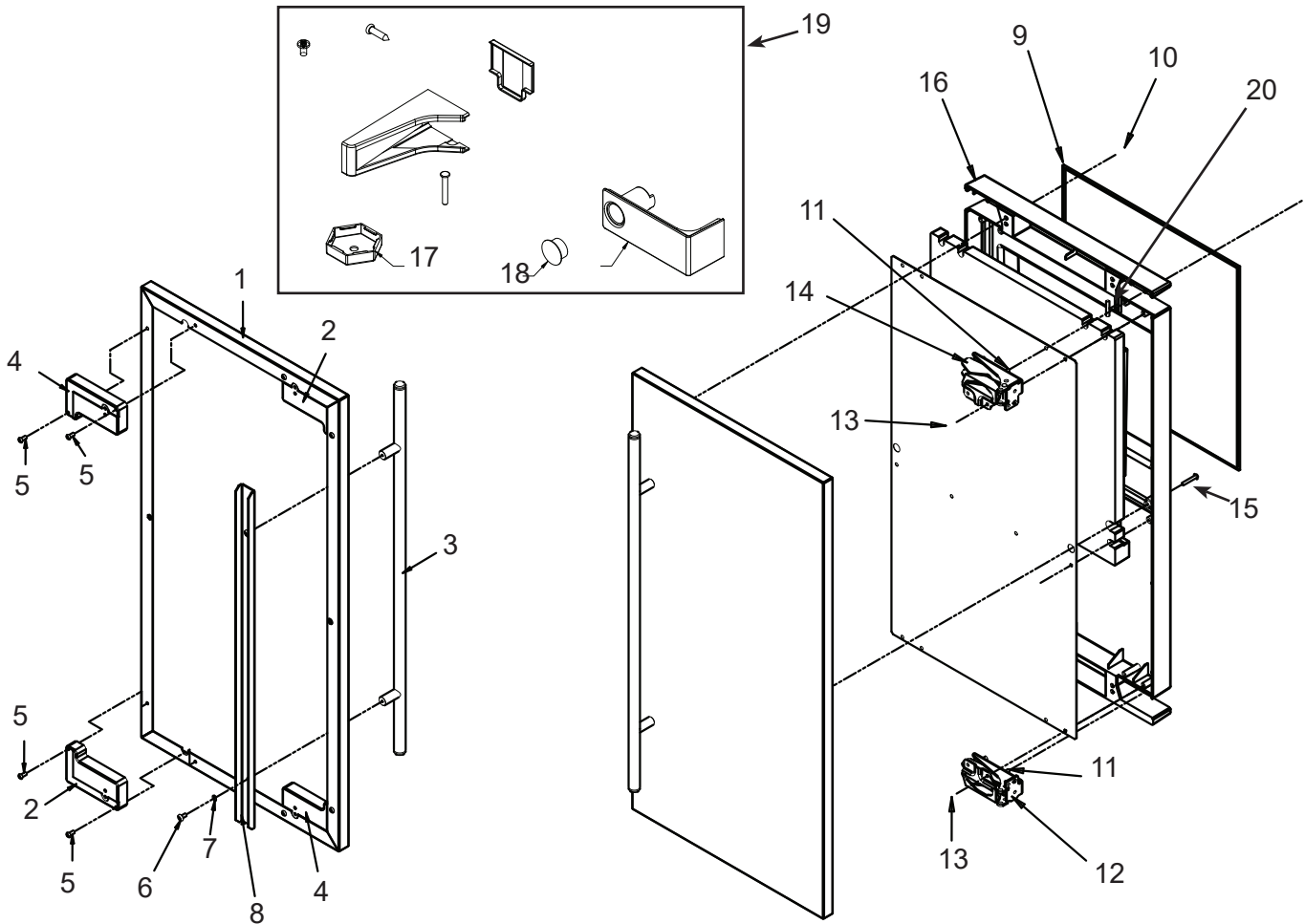
This is the illustrated parts list for the SRN110.  
There are two models, one is a gravity drain and the other includes a drain pump. It is possible that some units could have had drain pumps field installed in them.

## Contents

Door Components .....	2
Cabinet .....	3
Storage Bin and Ice Chute .....	4
Reservoir, Water Sensor and Misc. ....	5
Refrigeration .....	6
Under Bin Parts .....	7
Ice Making Section .....	8
Control System .....	9
Wiring Diagram .....	10
Schematic Diagram .....	11

# SRN110 Service Parts

## Door Components



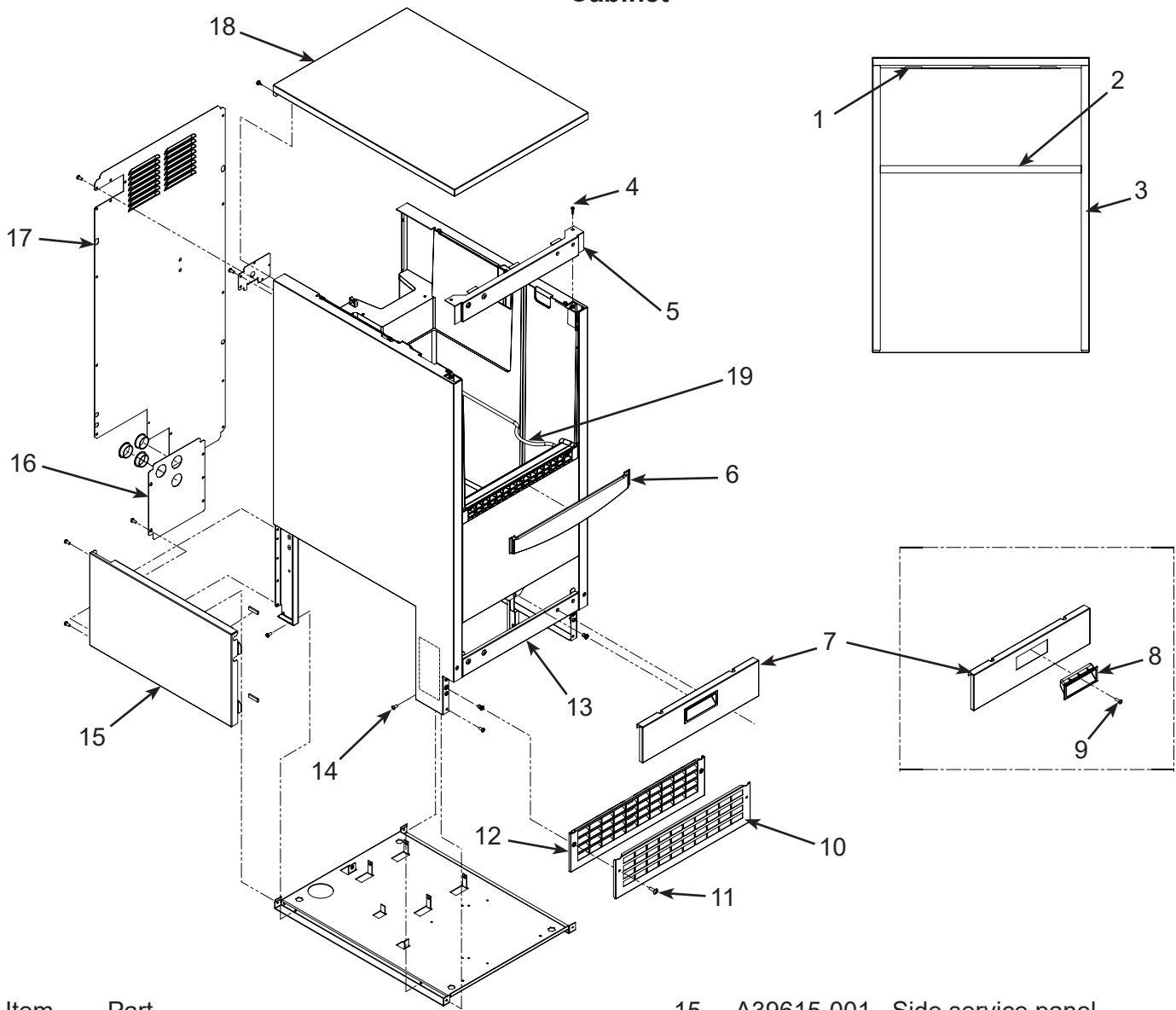
Item Number	Part Number	Description
1	Door panel kit. Kit includes items 1 thru 8.	KDFS SS panel, SS handle
2	02-4433-01	Corner block, RH
3	02-4430-01	Handle, SS
4	02-4433-02	Corner block, LH
5	03-1531-01	Screw
6	03-3811-01	Screw
7	03-1410-07	Lockwasher
8	A39390-001	Support bracket

16	A39513-001	Door assembly, does not include door panel or hinges
17	02-4415-20	Leg cap, pack of 4
18	02-1875-07	Hole plug
19	02-4474-01	Hinge package
20	11-0580-01	Magnet, door switch

9	13-0949-03	Door gasket
10	03-1404-24	Screw
11	03-3818-01	Screw - hinge to cabinet
12	02-3866-04	Hinge - top left/bottom right
13	03-3818-01	Screw - hinge to door
14	02-3866-03	Hinge
15	03-1404-24	Screw

# SRN110 Service Parts

## Cabinet

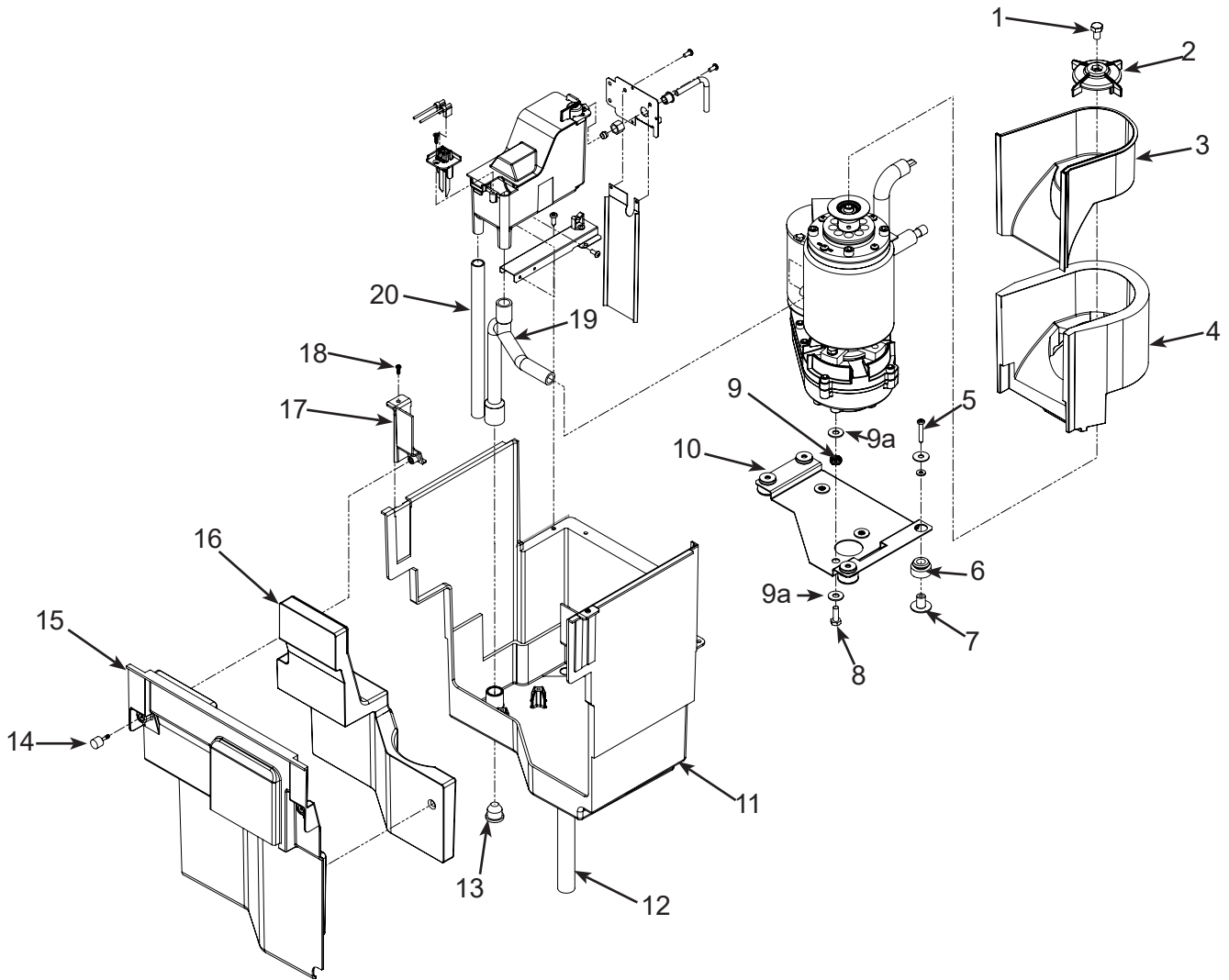


Item Number	Part Number	Description
1	13-0943-03	Gasket, top panel
2	13-0943-04	Gasket, top panel
3	13-0943-05	Gasket, top panel
4	03-3836-03	Screw
5	A39364-003	Top hinge brckt, hinge right
	A39364-007	Top hinge brckt, hinge L or R
6	02-4392-01	Inlay
7	A39381-003	Front service panel
8	02-4441-01	Handle
9	03-1403-86	Screw
10	A39469-001	Kick plate cover
11	03-3813-02	Screw
12	02-4390-01	Kick plate
13	A39385-003	Btm hinge brckt, hinge L or R
	A39385-006	Bottom hinge brckt, hinge left
14	03-1531-01	Screw
15	A39615-001	Side service panel
16	A41651-001	Drain panel
17	A41648-001	Back panel
18	A39362-003	Top panel only
18a	02-4426-01	Insulation, top panel
19	A34816-001	Scoop holder
Not Shown:		
	02-4391-03	Scoop

Note: Hinge mounting changed 1/12 to allow left or right mounting.

# SRN110 Service Parts

## Storage Bin and Ice Chute



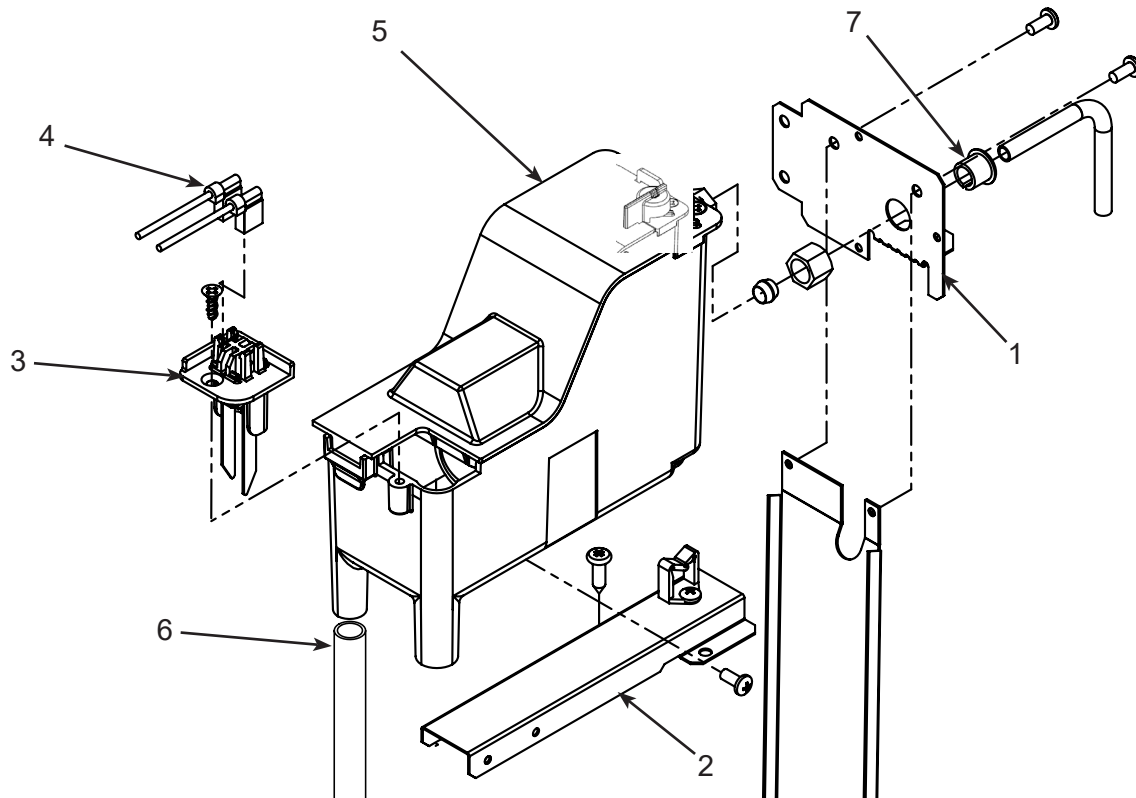
Item Number	Part Number	Description
1	03-1405-16	Screw, 5/16-18
2	02-4628-01	Ice sweep
3	02-4728-01	Chute
4	02-4729-01	Chute cover
5	03-1404-41	Screw
6	03-3935-01	Grommet
7	03-3936-01	Flanged bushing
8	03-1405-07	Cap screw
9	03-3937-01	Vibration grommet
9a	03-1407-06	Washer
10	A39681-001	Mounting plate only
11	02-4582-01	Shelf, gear and evap asy
12	A39792-001	Drain
13	13-0840-01	Drain plug
14	03-3892-01	Thumb screw
15	02-4730-01	Compartment Cover
16	02-4602-01	Insulation for item 15

17	02-4375-02	Support bracket, left
	02-4375-01	Support bracket, right
18	03-3836-03	Screw
19	02-4572-01	Tube, reservoir to evap
20	13-0674-09	Tubing, 9 inches needed

Order kit A40144-021 to get part numbers: 3, 4, 15, 16

# SRN110 Service Parts

## Reservoir, Water Sensor and Misc.



Item Number	Part Number	Description
1	A39693-001	Bracket
2	A39775-001	Reservoir mounting bracket
3	A40666-001	Water level sensor
4	12-3039-01	Water sensor harness
5	A40664-001	Reservoir knob w/valve and cover
5a	02-2217-02	Float and valve only
6	13-0674-09	Overflow hose - added 2014
7	12-1213-04	Bushing

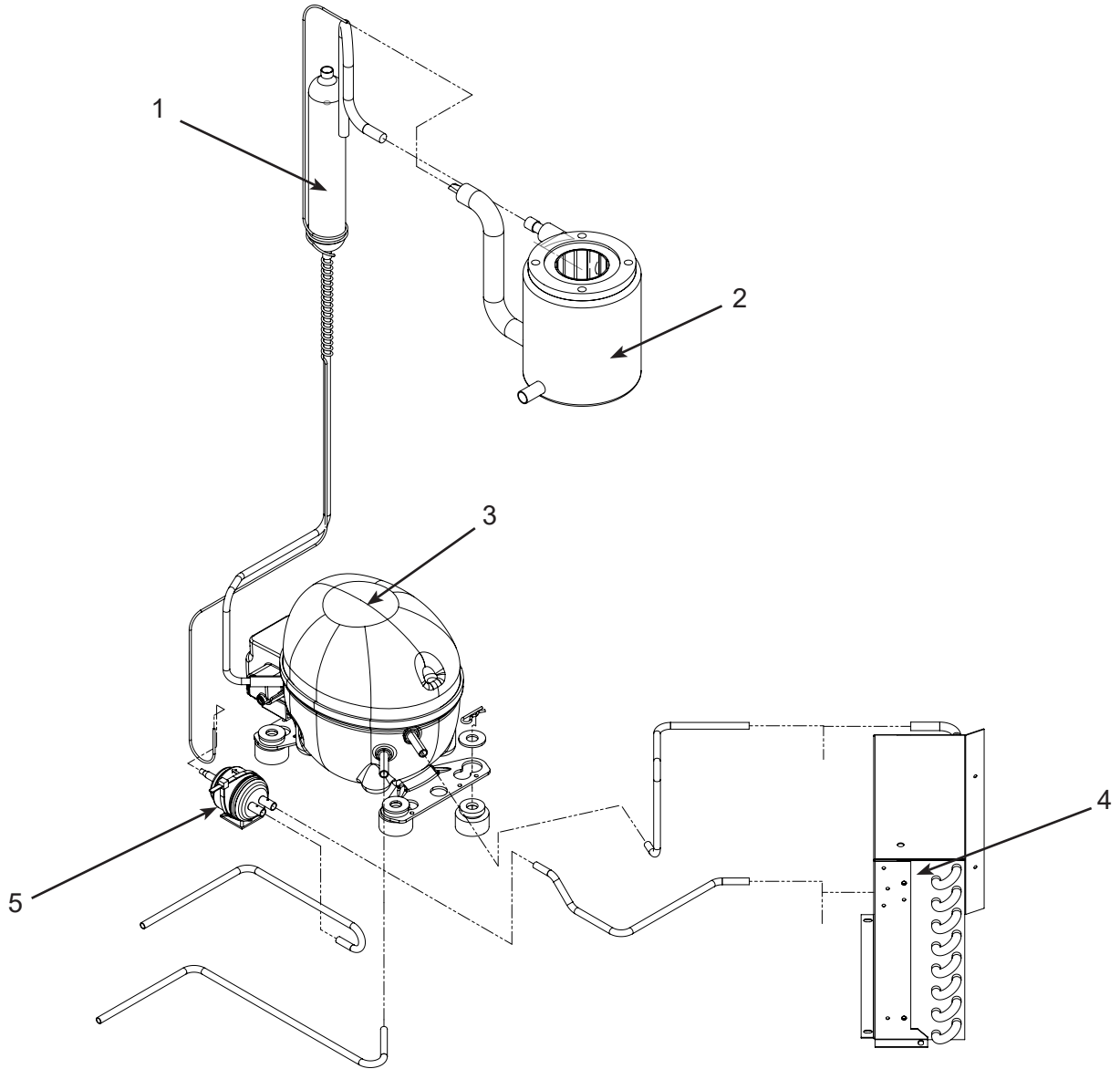
### Misc:

1m	19-0664-01	Pre-Mixed Squirt Bottle of Clear 1 scale remover
2m	19-0664-12	12 pack of item 1m
3m	19-0653-12	Case of undiluted Clear 1 scale remover

(To make Per-Mixed dilute 1.25 oz of Clear 1 to 16 oz warm water)

# SRN110 Service Parts

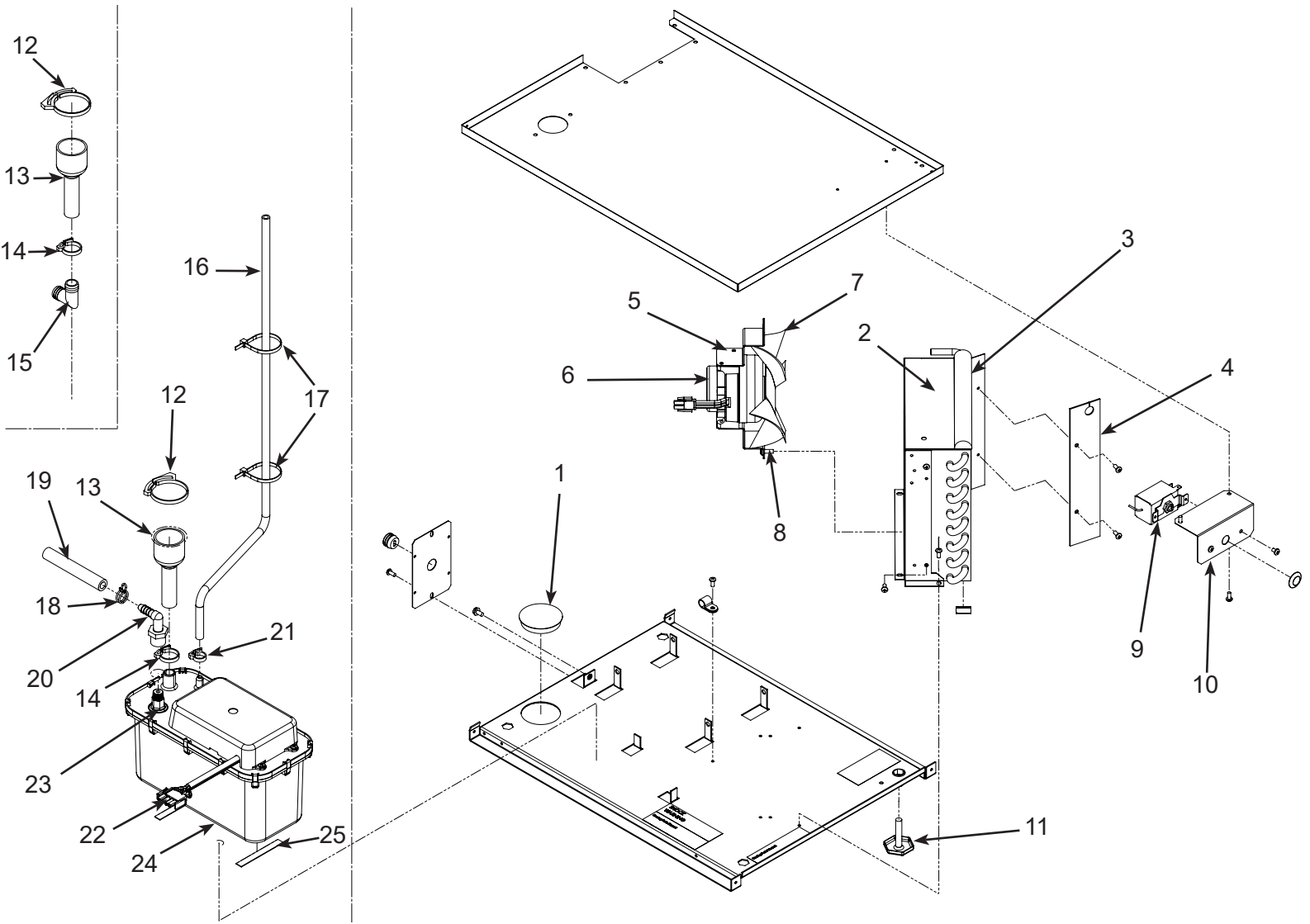
## Refrigeration



Item Number	Part Number	Description
1	A41554-001	Heat exchange assy
2	A41036-003	Gearbox freezer assembly
3	18-9000-21	Compressor
		Compressor includes overload, relay and drier
3a	18-9000-51	Overload
3b	18-9000-52	PTCR
4	18-8940-01	Condenser
5	16-1219-02	Drier

# SRN110 Service Parts

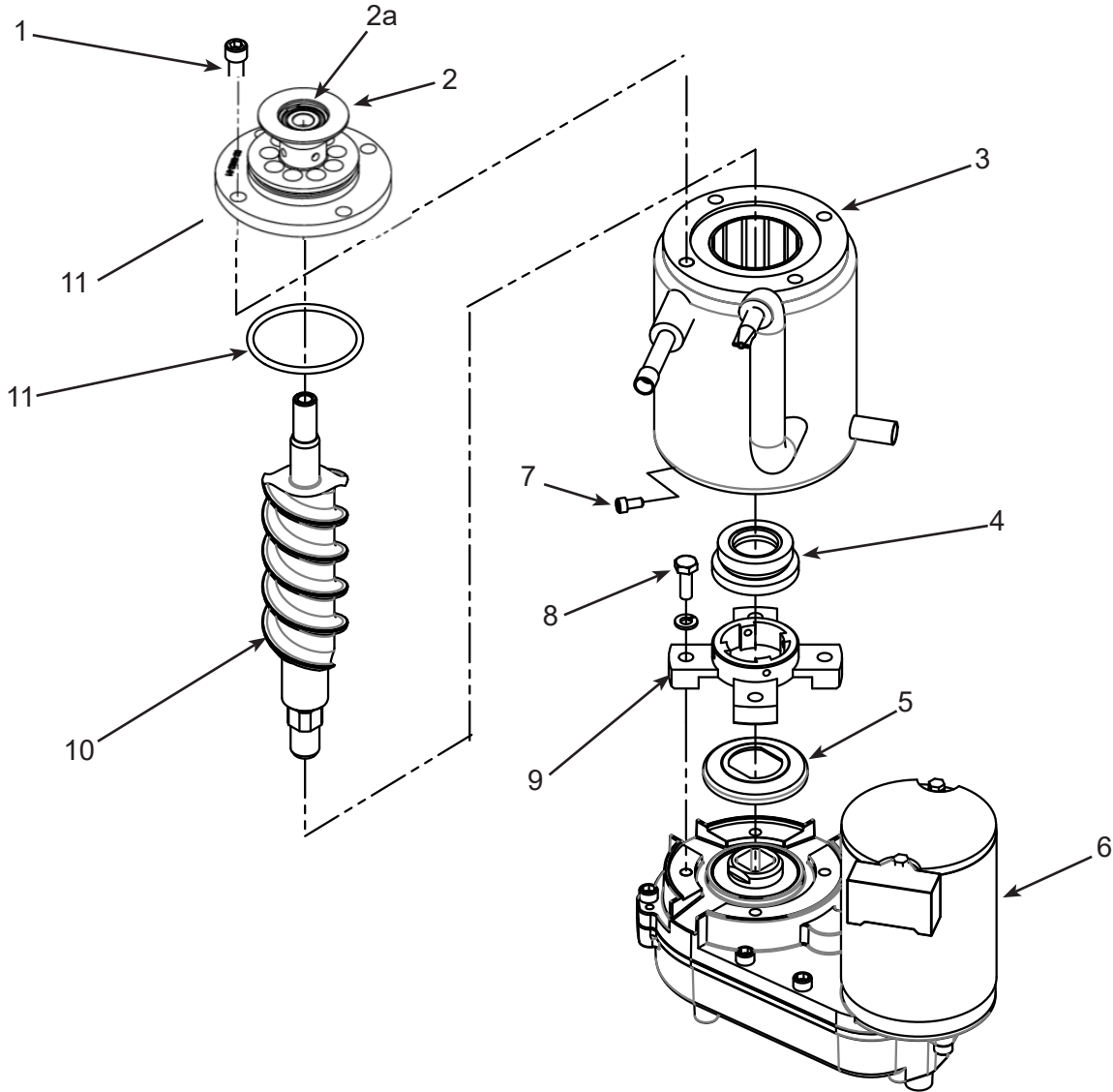
## Under Bin Parts



Item Number	Part Number	Description	Item Number	Part Number	Description
1	02-1875-18	Dome hole plug	20	02-3522-01	Discharge elbow
2	A39460-001	Shroud	21	02-2814-04	Hose clamp
3	13-0909-01	Gasket - order 1 & cut to fit	22	03-1736-01	Cable mount
4	02-4450-01	Air baffle	23	19-0672-01	Thread sealant
5	A39556-001	Fan motor bracket	24	12-3196-21	Drain pump assembly
6	12-3024-01	Fan motor	25	19-0642-02	Adhesive tape
7	02-4197-01	Fan blade		12-3209-01	Pump harness (not pictured)
8	03-3818-01	Screw		KPMP	Use to convert gravity drain to pump drain. Includes 12-3196-21
9	11-0670-21	Bin thermostat R290			
10	A39379-001	Bin stat bracket			
11	03-1608-01	Leg leveler			
12	02-2814-13	Hose clamp			
13	02-4412-02	Drain hose			
14	02-2814-08	Hose clamp			
15	16-0671-01	Elbow			
16	02-5237-01	Drain pump vent tube			
17	02-1798-01	Cable Tie			
18	02-0534-02	Hose clamp			
19	A37334-001	Discharge hose			

# SRN110 Service Parts

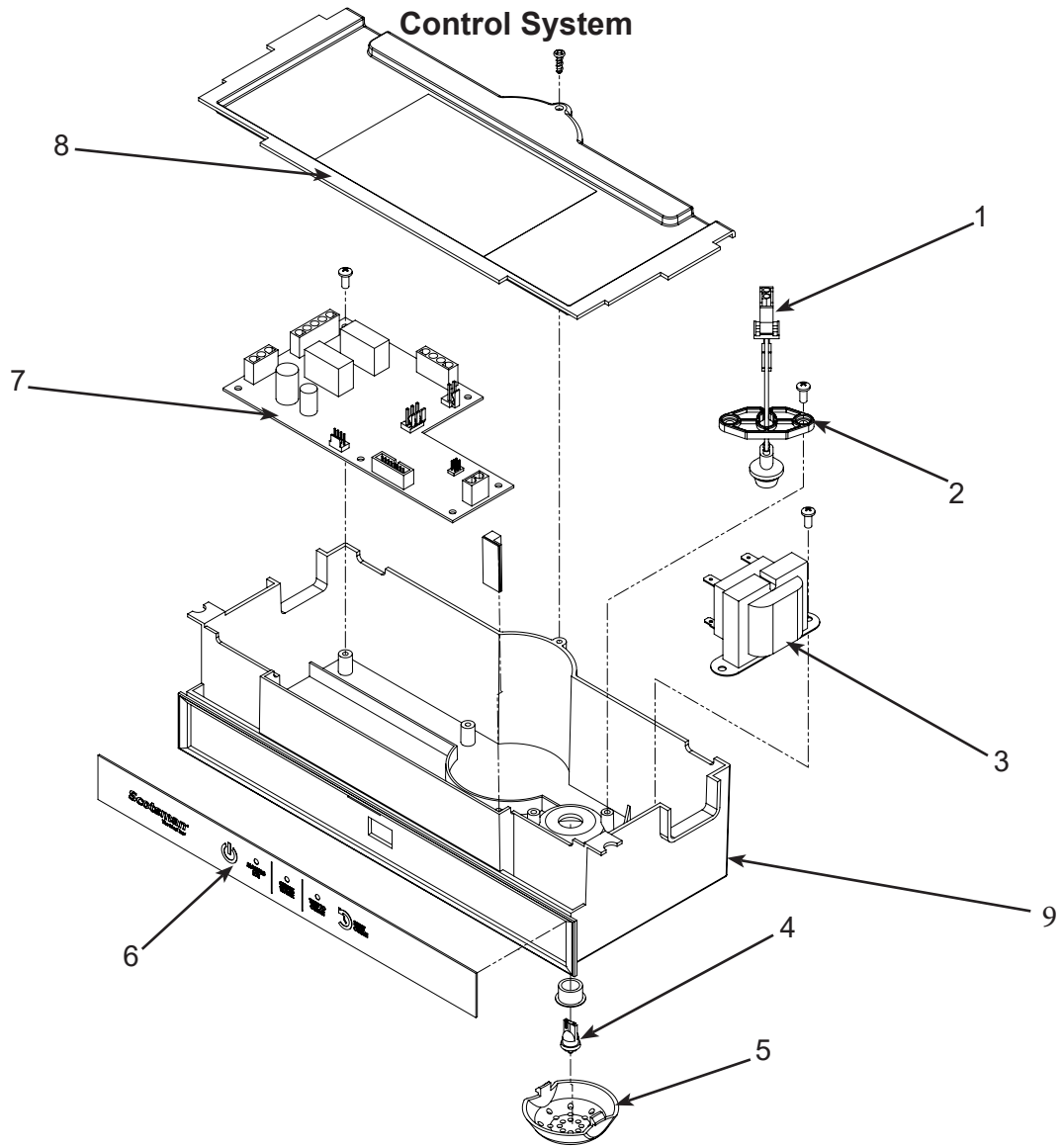
## Ice Making Section



Item Number	Part Number	Description
1	03-1544-14	Cap screw
2	A40385-001	Breaker w/bearing
2a	02-4846-01	Bearing only
3	02-4558-01	Evaporator
4	02-4599-21	Water seal
5	02-4662-01	Water shed
6	02-4580-23	Gear reducer and motor also includes #5
7	03-1544-04	Cap screw
8	03-1405-54	Cap screw
9	02-4625-01	Adapter
10	02-4861-01	Auger
11	13-0617-58	O-ring

\* Must connect wires correctly. See label on motor.

# SRN110 Service Parts



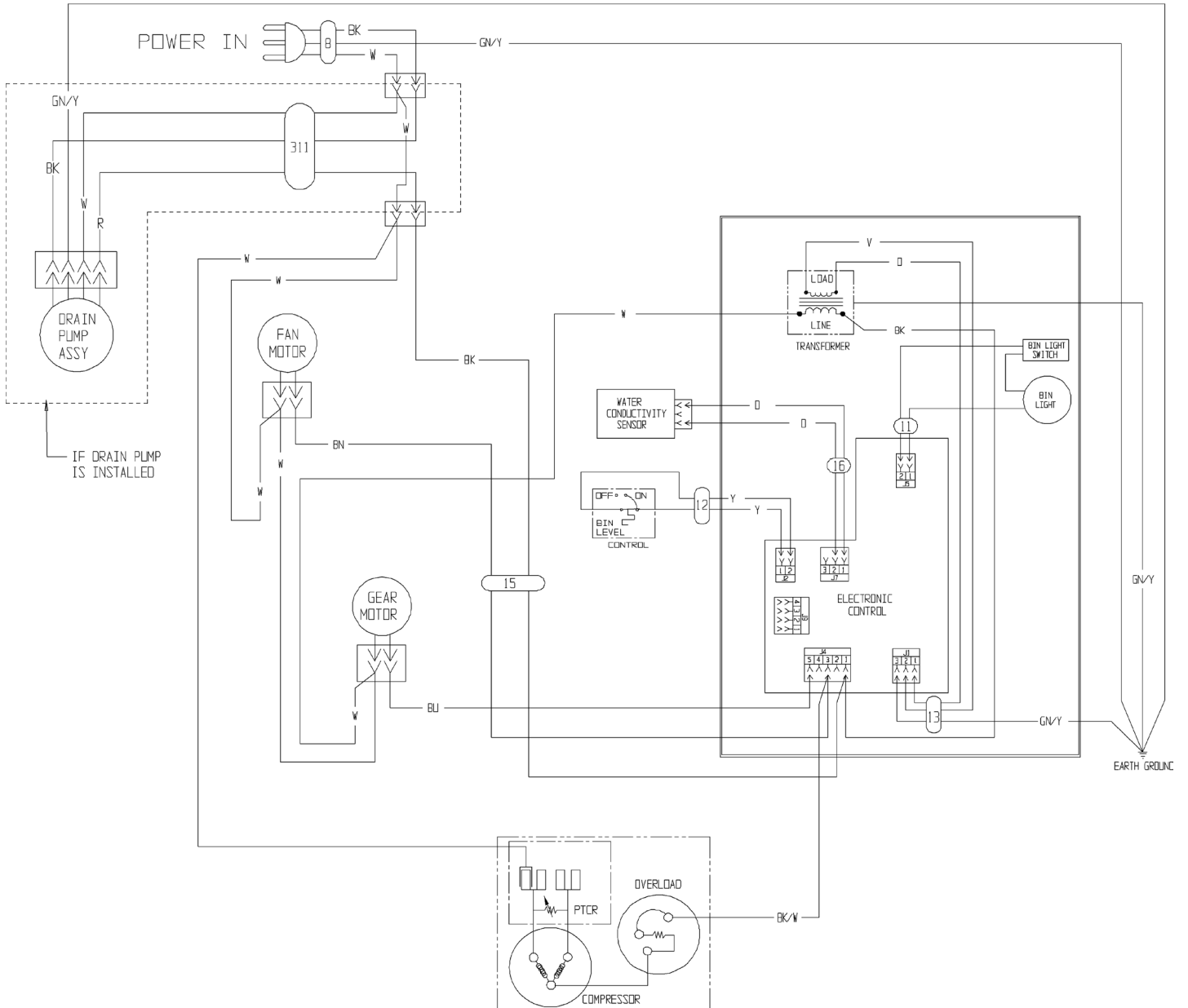
Item Number	Part Number	Description
1	12-3076-01	Bin light harness
2	02-4994-01	Bulb retaining bracket
3	12-2924-01	Transformer
4	12-3077-01	Bulb
5	02-4380-01	Light cover
6	11-0669-01	Control panel overlay
7	11-0664-21	Controller
8	02-4386-01	Cover
9	02-4382-01	Box only

Not Shown

NS1 12-1638-21 Power cord

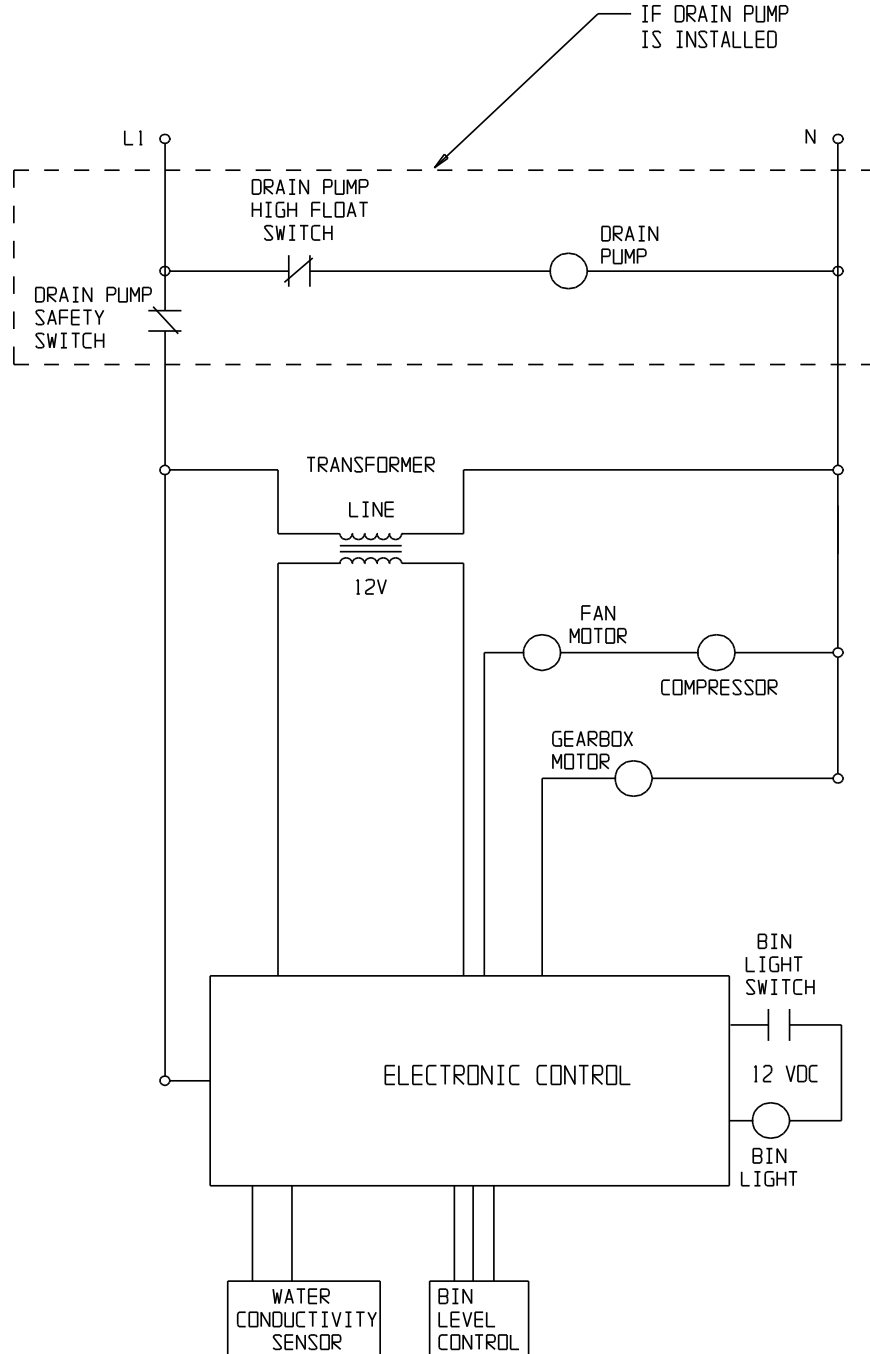
# SRN110 Service Parts

## Wiring Diagram



# SRN110 Service Parts

## Schematic Diagram



SWITCHES ON THIS UNIT  
SHOWN IN FREEZE CYCLE  
WITH DRAIN PUMP IN  
OPERATION AND BIN  
DOOR CLOSED

**SCOTSMAN ICE SYSTEMS**  
**101 Corporate Woods Parkway,**  
**Vernon Hills, IL 60061**  
**[www.scotsman-ice.com](http://www.scotsman-ice.com)**