



Installation and User's Manual for Residential Nugget Ice Machine


Model **SRN110**





Brilliance™


Important Safety Information. Make sure to read through fully to avoid severe injury or death.


 WARNING	
R290 Refrigerant is Flammable. Flame can cause burns or property damage Keep away from sources of fire	


 This ice machine contains **FLAMMABLE** refrigerant and improper use can result in fire or explosion. Do not use cigarettes, vapes, or cellphones near pipes or cables, as it can be a source of ignition or spark.


 This ice machine must not be installed next to equipment with an open ignition source (ie. open flames, an operating gas appliance, or electric heater). Do not store explosive substances such as aerosol cans with a flammable propellant in this appliance


 **WARNING:** Do not use electrical appliances inside the food/ice storage compartments unless they are of the type recommended by the manufacturer.


 **WARNING:** In order to reduce flammability hazards the installation of this appliance must only be carried out by a suitably qualified person.


 This appliance must be installed according to the safety standard for refrigeration systems presented in ANSI/ASHRAE 15.

 Do not install next to anything that continuously vibrates, avoiding excessive vibrations or pulsations.


 Install in a well ventilated environment and ensure ventilation and outlets are not obstructed.

 Properly secure electrical wiring and cabling for the machine to minimize wear and vibrations.


 Keep fire extinguisher nearby in case of emergencies.


 **WARNING:** Do not damage the refrigerating circuit



 Use a Scotsman recommended technician certified to repair R290 equipment.

 Install ONLY Scotsman factory service parts. Use of non-OEM parts can be dangerous due to the design changes needed to safely use R290 refrigerant.

 **WARNING:** Cancer and Reproductive Harm. Visit www.P65Warnings.ca.gov for details.

 This appliance is not intended for use by persons (including children) with reduced physical, sensory or mental capabilities, or lack of experience and knowledge, unless they have been given supervision or instruction concerning the use of the appliance by a person responsible for their safety.

 Children should be supervised to ensure that they do not play with the appliance.

 Precaución	No desenchufe ni desconecte la energía hacia la máquina de hacer hielo sin cerrar el suministro de agua. Nota: Esta máquina de hacer hielo debería estar en su propio circuito dedicado sin otros artefactos o dispositivos.
	

This manual includes information for the installation, operation and maintenance of the SRN110 residential ice machine. Note any Caution or Warning indicators, as they provide notice of potential hazards. Keep this manual for future reference.

The SRN110 was developed to offer fans of Scotsman's Nugget Ice form the ability to have that ice in their homes. Previously Nugget Ice was only available in commercial establishments, where it developed a strong following because of the chewable nature of the ice. This machine makes authentic Nugget ice, using the same process as the larger commercial machines.

Contents

Product Description:	Page 2
Cabinet Dimensions	Page 3
Location Recommendations:	Page 4
Decorating Features:	Page 5
Door Panel Attachment.....	Page 6
Door Swing.....	Page 7
Plumbing - Pump Model	Page 8
Plumbing: Gravity Drain Model.....	Page 9
Electrical and Start Up.....	Page 10
Use	Page 11
Maintenance.....	Page 12
How to remove scale from the ice making system.	Page 13
What to do before calling for service	Page 16
Decommissioning	Page 17

Outdoor Use Notice:

Keep from Freezing: Severe damage will occur to the unit if left in or operated in temperatures beyond the limits listed in this manual. Such damage is NOT covered by warranty.

Keep Dry: Do not locate in low lying areas where puddles can accumulate.

Provide Shade: Heat gain from the sun will reduce the unit's ability to make and store ice. Ultraviolet radiation from the sun can potentially damage the unit's plastic components.

Water Supply: Avoid a long run of hose or tubing exposed to the sun. Plastic water supply tubing should be rated for potable water and include UV protection. Copper tubing is recommended.

Back Flow Prevention: The unit includes back flow prevention, no additional check valve is required.

Drainage: Do Not drain into swimming pool or onto grounds.

SRN110

User's Manual

Product Description:

This ice machine is designed to be used indoors in a controlled environment, or outdoors within certain limits.

The SRN110 is made up of two major systems: the ice making system and the ice storage system. The ice making system is a continuous flow type ice machine, it makes ice when the ice level becomes low and stops when it is full.

The ice storage system is an insulated cabinet with a drain at the bottom for melting ice. It is not refrigerated, ensuring that the bin contains fresh ice.

Installation Information

Dimensions: The cabinet is 14 7/8" wide by 33 3/8" - 34 3/8" high.

Utility and Operational Requirements

- The SRN110 must be connected to a potable water supply.
- The water supply must have a conductivity of at least 10 microsiemens/cm.
- Minimum water pressure: 20 psi (1.4 bar)
- Maximum water pressure: 80 psi (5.5 bar)
- Minimum water temperature: 40°F (4.5°C)
- Maximum water temperature: 90°F (38°C)

It is designed to operate in wide range of air temperatures:

- Minimum air temperature: 50°F (10°C)
- Maximum air temperature: 100°F (38°C)

Although the machine will function within the listed ranges, it works best at water temperatures between 50 - 60°F and air temperatures between 60 - 80°F.

Note: Ice making capacity goes down as the environmental temperatures go up, and will be severely reduced at temperatures over 90°F.

Operating a unit outside of the limits can cause problems that are not covered by the warranty and, if extreme, can cause damage to the unit.

Water Quality

The water to the machine must be potable, or fit for human consumption. Beyond that, water supplies vary in the degree of mineral content. As this ice machine makes ice, all the water that flows into the machine is changed into ice. That includes any minerals that might be in the water. However, during ice making some minerals will stick to the ice making components. The higher the mineral content, the more mineral build up will occur.

Water filters are a partial help, as they will remove the suspended solids, but water treatment is needed for the dissolved solids, which are part of the water and cannot be filtered out.

RO Water

This machine can be supplied with Reverse Osmosis water, but the water conductivity must be no less than 10 microsiemens/cm. A reverse osmosis system should include post treatment or blending to satisfy the RO water's potential aggressiveness.

Deionized water is not recommended and could damage the machine.

Because water softeners exchange one mineral for another, softened water may not improve water conditions when used with ice machines

Electrical power

The unit must be on its own 115 volt, 60 Hz, 15 amp circuit. The unit is equipped with an electrical power cord, but should only be plugged into a circuit dedicated to the ice machine. The unit must be the only device on the circuit and powered directly from the breaker panel.

Confirm the outlet is properly grounded and is in good condition. Worn outlets should be replaced as they can cause erratic operation of equipment. Do not use an extension cord.



Warranty Information

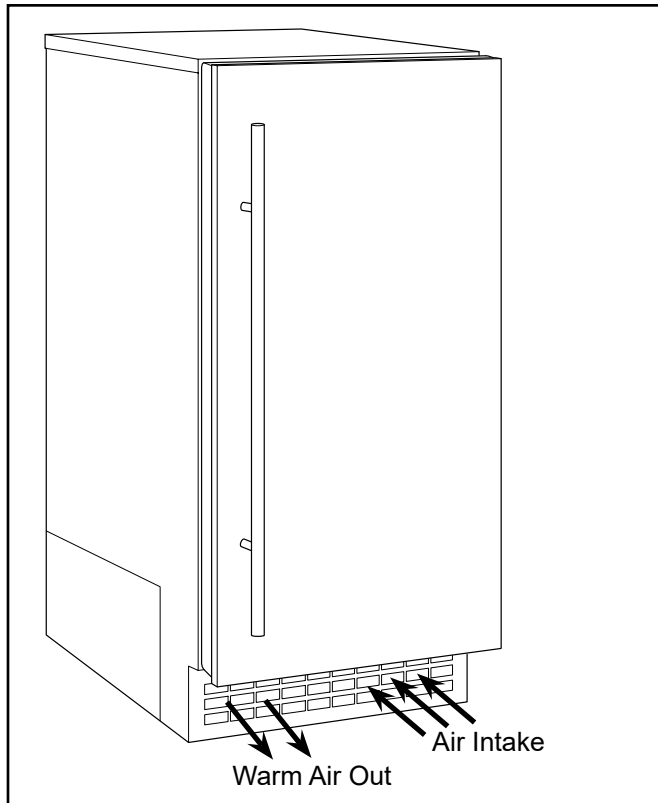
Warranty information is supplied separately from this manual. Refer to it for coverage. In general, the warranty covers defects in materials or workmanship and does not cover corrections of installation errors or maintenance. Fill out the Warranty Registration card and mail it in or scan the above QR, code to be taken to the Scotsman warranty website.

SRN110

User's Manual

Location Recommendations:

The machine can be built into a cabinet. It is an air cooled refrigeration system and so air circulates in and out of it through the grill toekick at the bottom front. This area must not be blocked by any covering door, panel or other obstruction.



There are two models. One is a gravity drain model and must have a building drain connection below the level of the drain tube at the back of the cabinet. The other is a pump drain model which can force drain water vertically a maximum of 10 feet, allowing it to be located where a gravity drain isn't available.

Models:

- SRNP110A-1SU – Pump, Unfinished Door
- SRNG110A-1SU – Gravity, Unfinished Door
- SRNP110A-1SS – Pump, Finished SS Door
- SRNG110A-1SS – Gravity, Finished SS Door

Kickplate Extension: In some situations, the leg levelers will be extended enough to become visible. The **KKPF** kit extends the kickplate over the legs.

Cabinet Stability: In some free standing installations, it may be prudent to add a bracket that secures the back of the cabinet to a wall. That kit number is **KATB**.

Drain Conversion: A gravity drain model can be converted to a drain pump model by installing a drain pump kit. The drain pump kit consists of a drain pump, wiring harness and associated tubing. The part number is **KPMP**.

Installation Notes

Built In Situations: If a finished floor is to be installed in the area after the ice machine has been built in, shims the expected thickness of the floor should be installed under the unit to keep the machine level with the planned floor level.

Note: The water connection is at the back and adds a few inches to the cabinet depth.

Installations on a slab: Use a pump model and pump the water to the point of drainage. Pump models will pump 1 story (10 feet) high.

Installations over a crawl space or basement: Either gravity drain or pump model units may be used, if there is not enough room behind the machine for a drain/waste receptacle, the drain will have to be below the floor.

Note: When installed in a corner, the door swing may be limited due to handle contact with the wall or cabinet face.

All models require a water supply. Water supplies vary in the degree of mineral content. **High mineral content water will require more frequent maintenance.** Water filtration may improve the taste of the ice as well as cut down on some of the mineral build up. Please consult with a local plumber or water specialist to determine your filtration needs for the water in your area.

SRN110

User's Manual

Door Options & Features:

Door Panel

The ice machine can be ordered without a conventional door covering so it can be decorated to the user's preference. Scotsman offers a stainless steel covering kit called the **KDFS**. Alternatively, a custom built panel can be placed onto the door.

Door Panel Attachment

To attach a Scotsman supplied panel:

Note: If door swing is to be changed, it must be done before panel is attached.

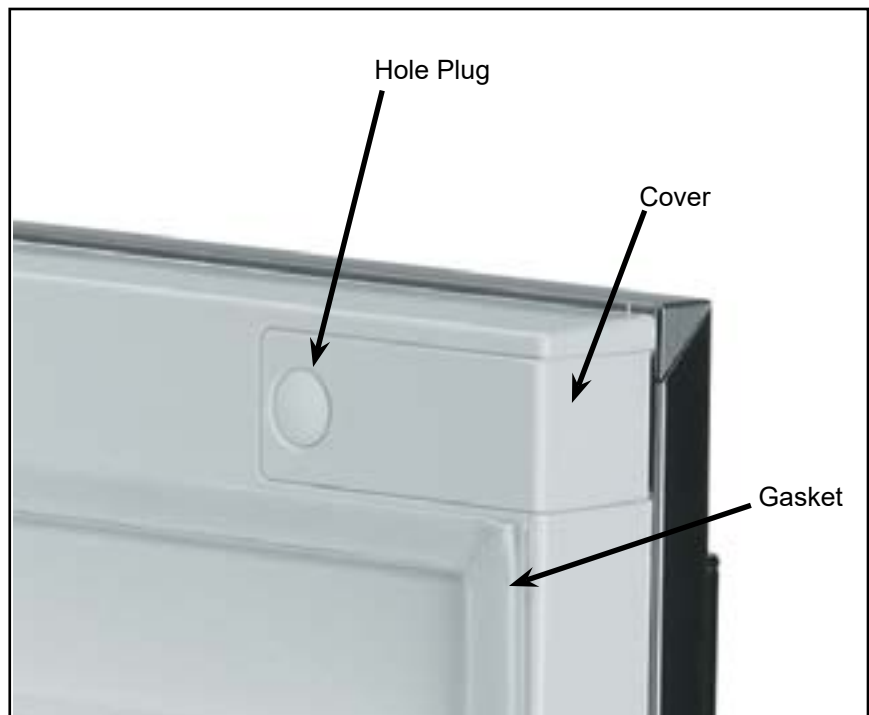
The panel will be held on by 6 sheet metal screws and 2 machine screws.

1. Remove the gasket and retain for later use.
2. If the door panel is stainless steel, remove any plastic covering the stainless steel panel.
3. Place the panel onto the outside of the door, and secure it to the door using two machine screws, located at the left center and right center.
4. Fasten the panel to the door using the 6 sheet metal screws. In the hinge area, use the outermost screw holes.
5. Place the covers over the hinge areas, and secure each cover to the door using a sheet metal screw.
6. Insert hole plug over screw installed in step 5.
7. Return the gasket to its original position.

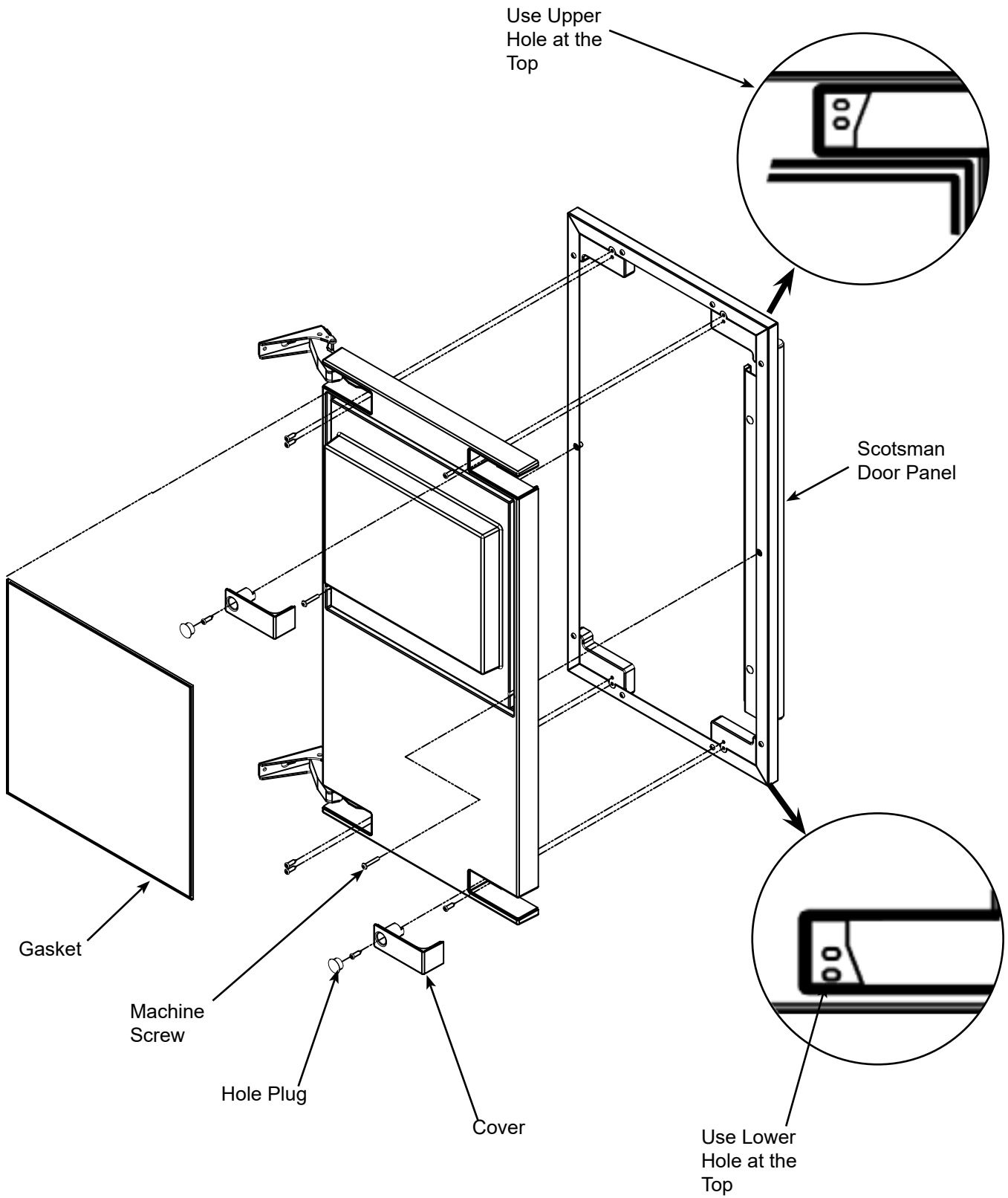
Custom Panel

A custom panel of wood or other material not exceeding 15 lbs can be attached to the door. Attachment is from the ice side of the door. Holes are provided in the door for this purpose.

See instructions in the information packet to create and attach a custom panel



SRN110
User's Manual
Door Panel Attachment



SRN110

User's Manual

Door Swing

Note: Prior models had separate hinge brackets and different directions to change swing.

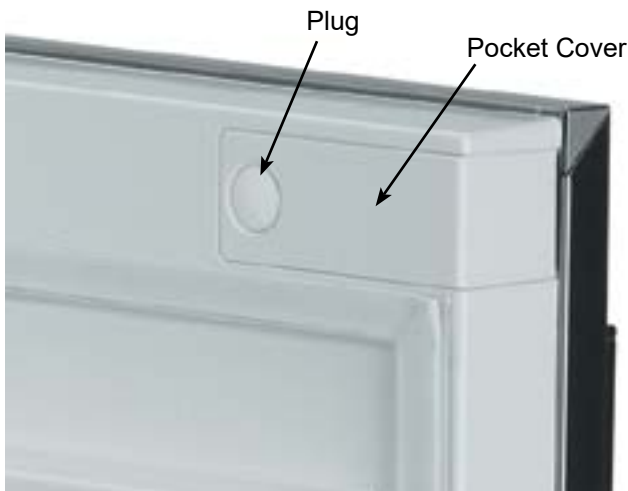
Moving the hinges allows the door to open from either the left or right side. Change swing before attaching door panel.

To change:

1. Remove innermost screw holding each hinge to cabinet, then loosen the outer screw.



2. Slide door to the side and remove from cabinet.



3. Remove plug and hinge pocket covers from door.
-

Note: There are either plugs or screws in the holes where the hinges will mount. They must be moved.

4. Remove hole plugs or screws from unit's new hinge locations, set aside.
 5. Move screws loosened in step 1 to opposite location.
 6. Install screws or plugs removed in step 4 to the unit's original hinge location to fill the holes.
 7. Remove the upper hinge from the door and move it to the door's opposite side, bottom location. Secure using the original screws.
-

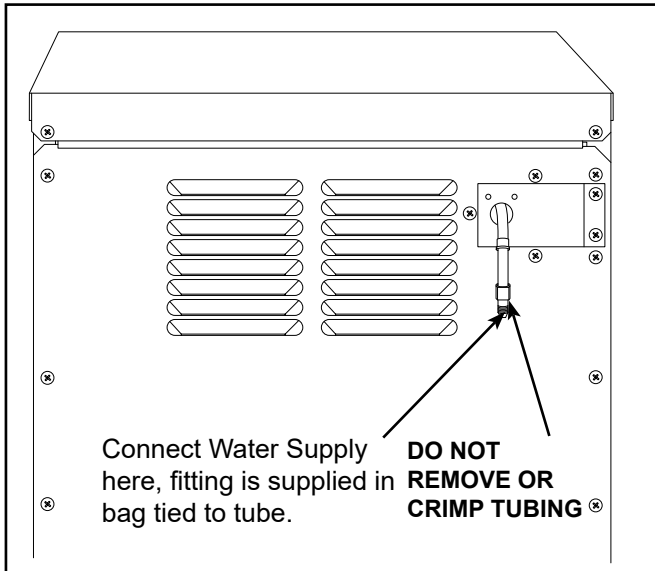
Note: If door panel is attached, it must be removed to access hinge screws and to reverse handle position.

8. Remove the original lower hinge and move it to the door's opposite side, upper location. Secure using the original screws.
9. Install pocket covers and hole plugs onto door.
10. Attach the door to the cabinet using the original screws.

Water Supply

The recommended water supply tubing is ¼ inch OD copper. Stainless steel flex or reinforced PVC tube may also be used. The installer must connect these lines to the building's water supply and drain system. All horizontal runs of drain lines must have a ¼ inch per foot fall. An air gap will likely be required between the ice machine drain tube and the drain/waste receptacle. Install an easily accessible shut-off valve between the supply and the unit. This shut-off valve should not be installed behind the unit.

Connect using a compression fitting, one is supplied tied to the water inlet tube at the back of the cabinet. When built in: Coil enough tubing



behind the machine so it can be pushed into the cavity without kinking the tubing.

Note: It is recommended to purge the water supply lines prior to connecting to the ice machine. This will flush sediment from the line and prevent water flow restrictions.

Drains

There are two types of ice machine models. One drains by gravity, while the other has an internal drain pump.

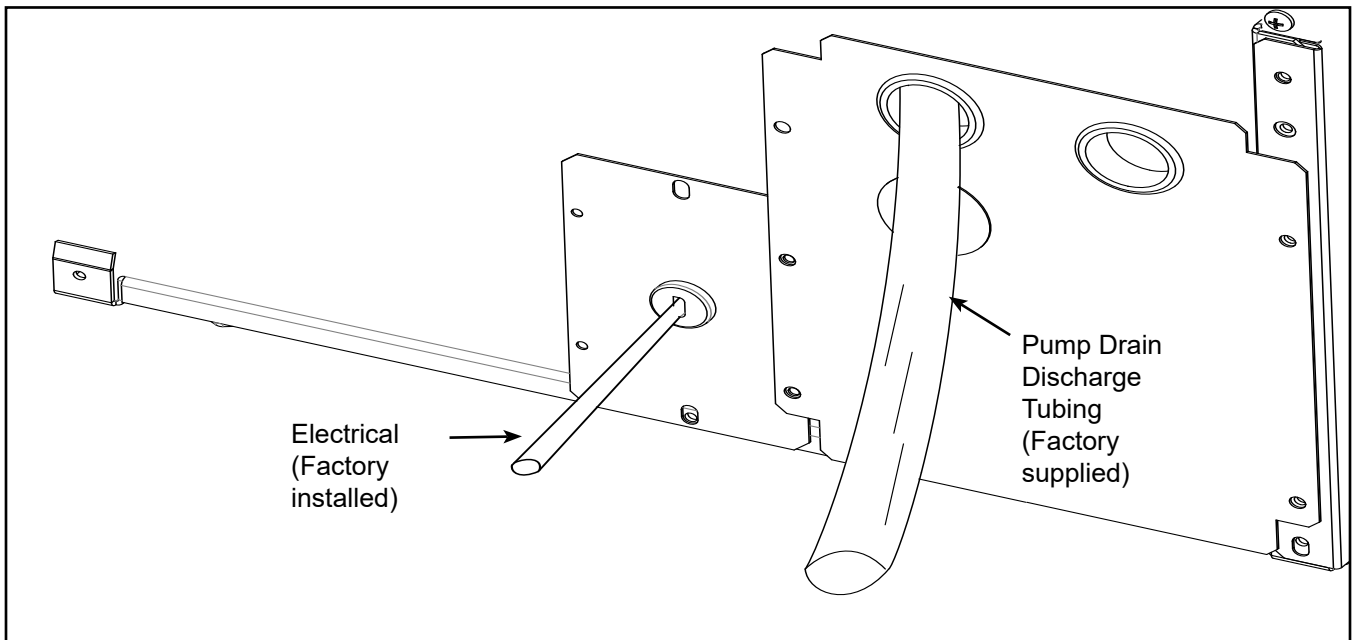
Drain Pump Model Drain Installation

1. Route the plastic drain tube from the back of the unit to the drain connection point.
2. Check all connections for leaks and water drips and ensure hoses are secure.

The drain connection point can be as high as 10 feet above the ice machine. The drain pump includes a check valve to prevent re-pumping water in the drain hose.

IMPORTANT NOTE: Often an air gap is required by local codes between the ice maker drain tube and the drain receptacle.

	<p>Caution Do not unplug or disconnect power to the ice machine with out shutting off the water supply.</p> <p>Note: This ice machine should be on its own dedicated circuit with out any other appliances or devices.</p>
--	--



SRN110

User's Manual

Plumbing: Gravity Drain Model

CAUTION: Restrictions in the drain system to the machine will cause water to back up into the ice storage bin and melt the ice. Gravity drain tubing must be vented, have no kinks and slope to the building drain. Air gaps are typically required by local code.

1. Place the ice machine in front of the installation opening. Adjust leveling legs to the approximate height.
2. Remove the front service access panel and the upper back panel..

Note: If you are connecting a gravity drain model and the drain opening has been located in the floor under the base pan according to the pre install specifications, follow steps 3 through 6a to drain the unit through the base. If not, proceed to step 6b.

3. Remove the clamp and barbed elbow from the installed drain line and take off the plastic cover in the base pan below the drain hose.
4. Connect a straight 5/8" barbed connector to the drain hose, securing with the supplied hose clamp removed in step 3.


5. Cut an 8" piece from the drain line tubing. Slide one end of the tube onto the outlet of the barbed connector and secure with a clamp. Leave the other end of the tube lying on the floor of the base pan until the unit is positioned over the floor drain.

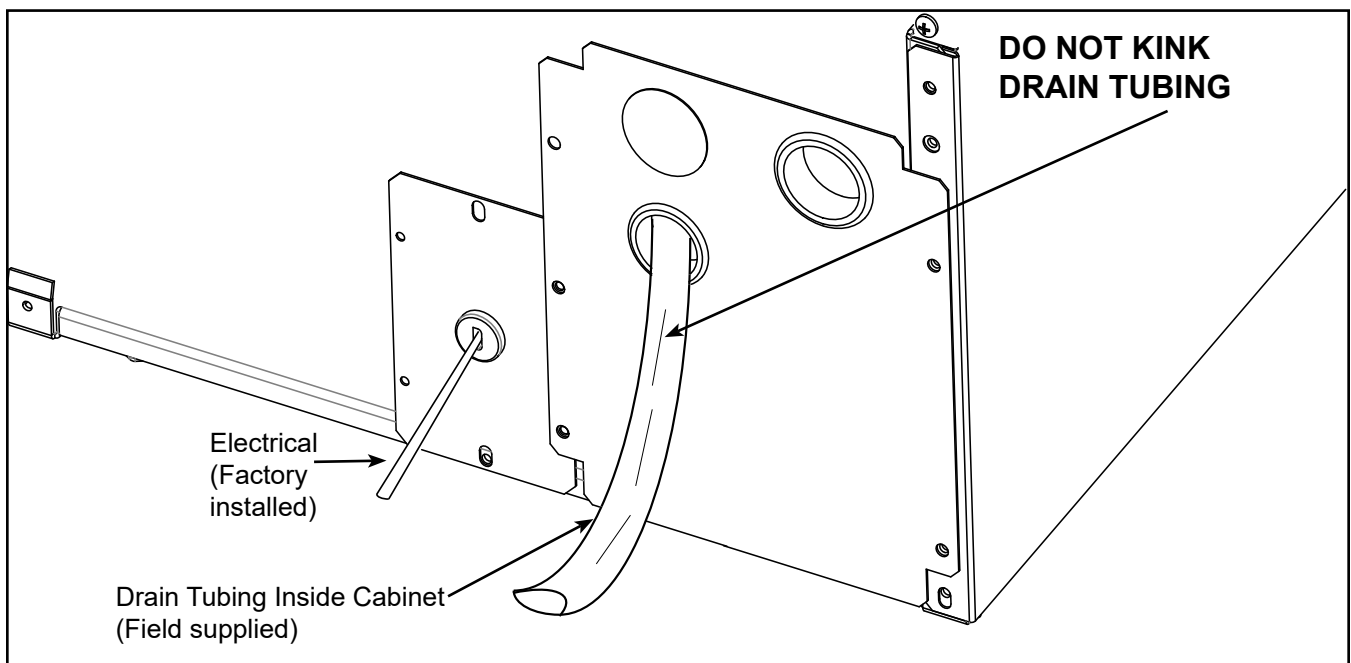
6. Route the drain tube. Either:

- a) Insert the drain tube through the base pan into the floor drain or

- b) Route the drain tube through the hole in the lower back panel and connect to barbed elbow and secure with a clamp. Check all connections for leaks and water drips and ensure hoses are secure.

7. Reinstall any panels removed and level the unit.

	<p>Caution Do not unplug or disconnect power to the ice machine with out shutting off the water supply.</p> <p>Note: This ice machine should be on its own dedicated circuit with out any other appliances or devices.</p>
---	--



SRN110

User's Manual Electrical and Start Up

The ice machine is supplied with a 6' power cord. Do not remove the grounding pin from the cord's plug.

Do not use extension cords. Follow all codes.

Connect the machine to a dedicated 115 volt, 15 amp circuit.

1. If the electrical outlet for the ice maker is behind the unit, plug in the unit.
2. Position the unit in the installation opening.
3. After water supply has been purged, turn on the water supply. Make sure that the ice maker is plugged in and the power is on. Verify water leaks are not present.
4. Slide unit into installation opening, paying careful attention to water supply and drain connections. **Do not kink!**
5. Pour a couple of quarts of water into the ice storage bin. On drain pump equipped machines, the drain pump should start and water should pump out. Check for leak drips and ensure hoses are secure.
6. Replace the service access panel.
7. Level the unit as needed.

Note: The unit is equipped with an electrical power cord, but should only be plugged into a circuit dedicated to the ice machine. The unit must be the only device on the circuit, and powered directly from the breaker panel.

Installation Checklist:

1. Has the unit been connected to the proper water supply?
2. Has the water supply been checked for leaks?
3. Has the unit been connected to a drain?

4. Has the drain been tested for flow and leaks?
5. Has the unit been connected to the proper electrical supply?
6. Has the unit been leveled?
7. Have all packing materials been removed from the machine?
8. Has the door covering been installed?



Initial Start Up

1. Turn on the water supply and check for leaks.
2. Switch on the electrical power.
3. Push and release the Power button to start the machine. The Ice Making light next to the Power button will glow Green. Warm air will flow out of the left front grill.

It will take about 10 minutes for the ice machine to begin dropping nugget ice into the storage bin. It is normal for that ice to melt and ice will continue to melt, but at a slower rate. It will take about 6 - 7 hours to fill up the ice storage bin. The bin holds about 26 lbs. of ice when full.

Ice Level Control

The ice level control for the SRN110 is an ultrasonic sensor, located above the ice storage area. It is automatic and there is no adjustment to make. When ice melts or is used and the ice level drops below a preset distance, the control turns the ice making system back on. It makes ice until the preset level is reached. Placing your hand in the unit to remove ice does not affect the ice level.

 Caution	Do not unplug or disconnect power to the ice machine with out shutting off the water supply.
	Note: This ice machine should be on its own dedicated circuit with out any other appliances or devices.

SRN110
User's Manual
Use

No special instructions are needed for use. Just take as much ice as you need and the machine will replace it. A scoop is provided and can be stored in the machine using the loop of tubing on the right side as a holder.

The machine can be shut off at anytime by pushing and releasing the Power button.

What shouldn't be done?

Never keep anything in the ice storage bin that is not ice. Objects like wine or beer bottles are not only unsanitary, but the labels can slip off and plug up the drain.

Never allow the machine to operate without regular cleaning. The machine will last longer if it is kept clean. Regular cleaning should happen at least once per year, and preferably twice. Some water conditions will dictate even more frequent cleaning of the ice making section, and some carpets or pets will dictate more frequent cleaning of the condenser.


Note: The Time to Clean light will turn on after 6 months power. It will remain on until the ice making system is cleaned using the process on page 13.

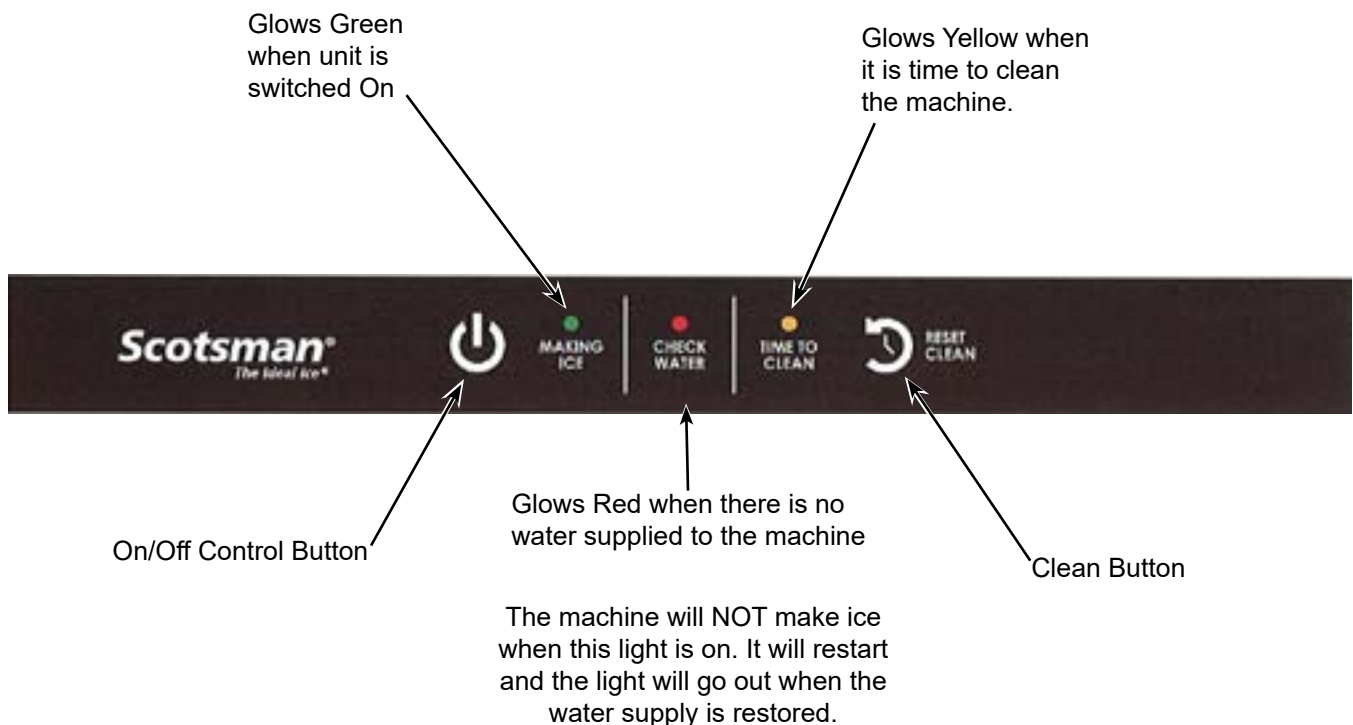
Noise

The ice machine is designed for quiet operation, but will make some noise during the ice making cycle.

Ice Making

During ice making, nugget ice will drop into the bin at an irregular rate. Sometimes there will be little ice falling, while at other times a group of nuggets will fall. Some water drops may also come out with the ice. Both conditions are normal.

	<p>Caution Do not unplug or disconnect power to the ice machine with out shutting off the water supply. Note: This ice machine should be on its own dedicated circuit with out any other appliances or devices.</p>
---	---



SRN110

User's Manual

Maintenance

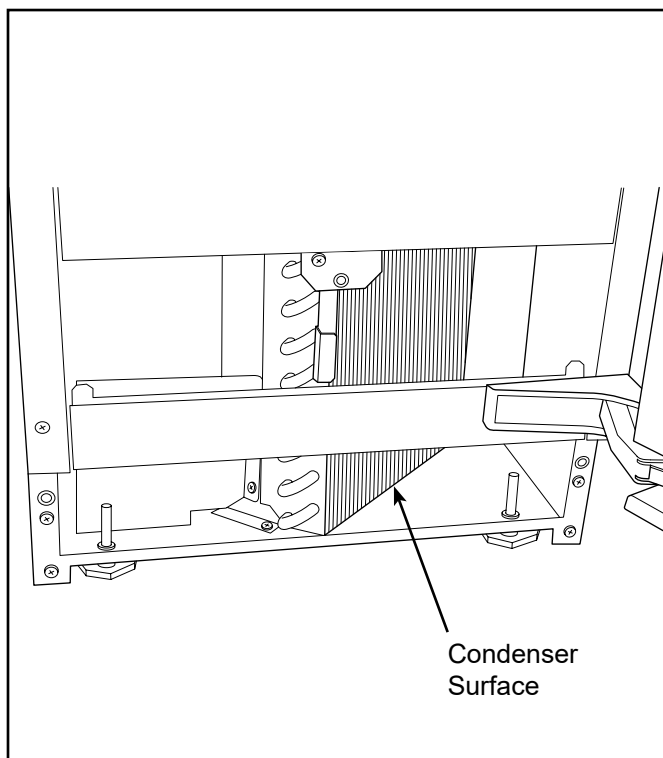
Scotsman strongly recommends regular maintenance of this ice machine. During normal operation, mineral scale that is in the water supply will gradually build up on the ice making surfaces. That build up can cause excessive loading of the ice making system, which can cause premature failure. Regular removal of the mineral scale will lengthen the product's life.

Suggested maintenance schedule: every 6 months. Type of maintenance: Scale removal, water seal check, water reservoir check, bin drain check, air cooled condenser cleaning and storage bin sanitation.

Condenser Cleaning

The condenser is like the radiator on a car, it has fins and tubes that can become clogged with dirt and lint. To clean:

1. Remove the kickplate and front service panel.



2. Locate the condenser surface.
3. Vacuum the surface, removing all dust and lint.

CAUTION: DO NOT DENT THE FINS

4. Return the kickplate and front service panel to their original positions. Fasten them to the cabinet using the original screws.

Winterizing

1. Clean the ice making system per the instructions in the Maintenance section.
2. Open the door and push and release the Power button to turn the machine off.
3. Turn off the water supply.
4. Remove the back wall of the ice storage bin.
5. Remove drain plug and drain the water reservoir, return plug to its original position.
6. Drain pump models should have about 1/2 gallon of RV antifreeze (propylene glycol) poured into the ice storage bin drain.

Note: Automotive antifreeze must **NOT** be used.

7. Power off and unplug the machine.

Bin and Drain System

Over time, biofilm can grow inside the drain system which can affect the ability for the drain system to evacuate drain water. On the pump models, this can also cause pump failure, or cause the pump to get stuck on and run dry. Biofilm and pump cycling issues will eventually lead to low production and standing water in the bin. To ensure that this does not become an issue, frequent bin sanitizing may be required.

The ice storage bin should be sanitized occasionally. It is usually convenient to sanitize the bin after the ice making system has been cleaned, and the storage bin is empty. A sanitizing solution can be made by mixing 1 gallon (4 liters) of clean, warm potable water (105-115°F) with 1.6 oz of locally approved sanitizer. Use a clean cloth and wipe the interior of the ice storage bin with the sanitizing solution, pour some of the solution down the drain. Allow to air dry.

SRN110

User's Manual

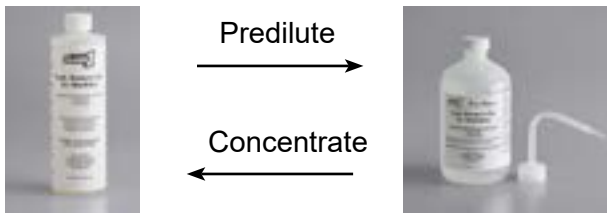
Cleaning the Ice Making System.

Cleaning this machine involves adding a solution of scale remover and water to the ice machine and continuing to add it as it makes ice. The scale remover must be diluted to the correct ratio. A squirt bottle will make adding the scale remover much easier when the unit is built in. If not built in, remove the top panel for reservoir access.

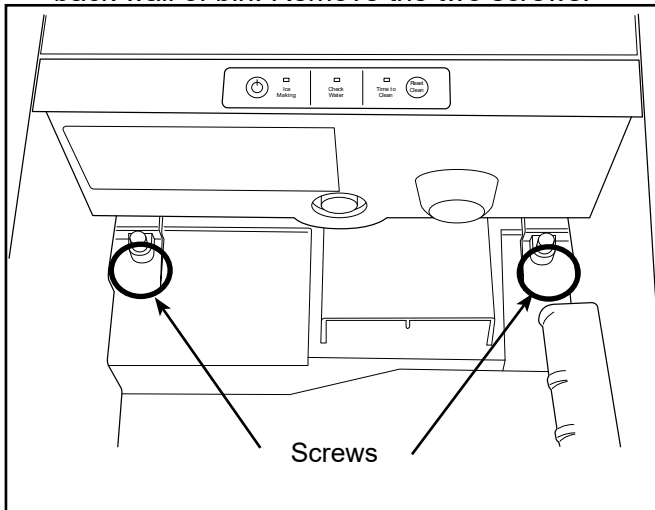
Recommended tools: Rubber gloves, squirt bottle & scale remover. Pre-Mixed 16 oz. squirt bottle of scale remover is part number 19-0664-01. Concentrate 16 oz. scale remover is part number 19-0653-01.

Note: When using concentrate scale remover, use a ratio of 1.25 oz. of scale remover to 16 oz. of warm water. Squeeze bottle with a 90 degree elbow is needed.

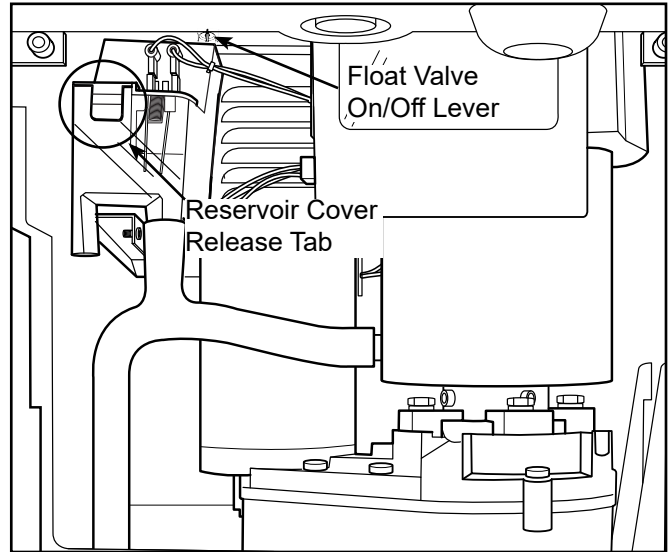
WARNING: Do not use concentrate scale remover undiluted as it can lead to machine damage.



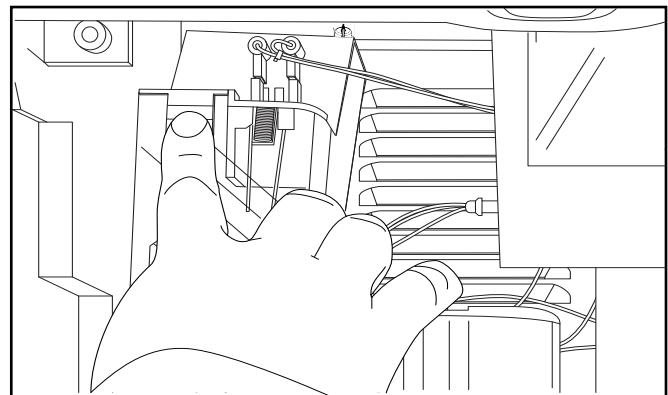
1. Scoop out and discard all of the ice.
2. Press and release the Power button.
3. Open door and locate thumb screws at upper back wall of bin. Remove the two screws.



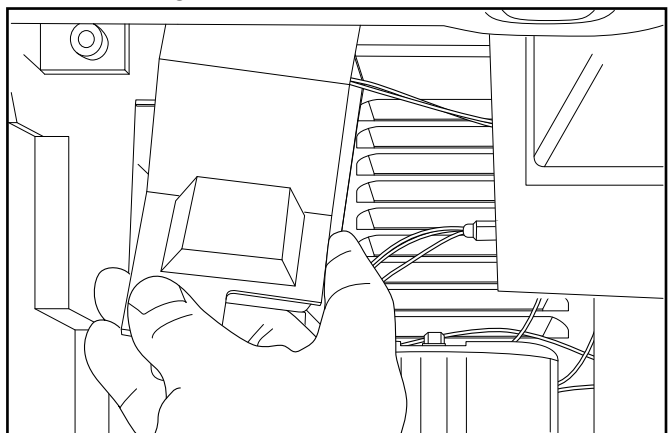
4. Remove the back panel of the bin by lowering it down past the scoop holder, feel free to rotate the scoop holder loop down to make more room.



5. Locate water valve on/off knob. Turn the water off by turning the knob to the right "counter clockwise" 90 degrees. The valve must be turned off before the cover can be removed.



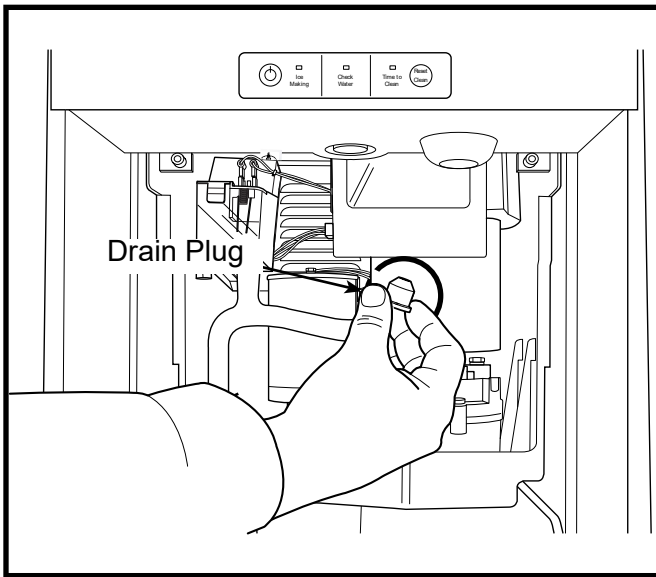
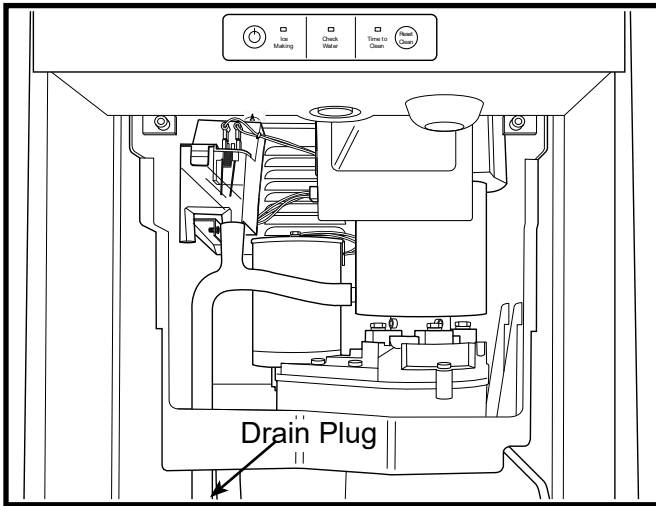
6. Push tab on front edge of reservoir cover and remove the cover. Note: Adjacent wires are low voltage and are not hazardous.



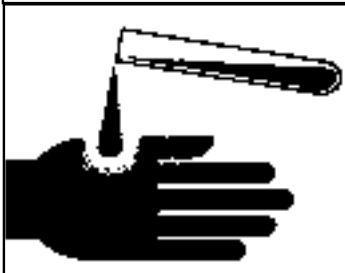
SRN110

User's Manual

7. Locate drain plug and pull the drain plug out to drain the reservoir and evaporator. When draining is complete return the plug to its original position.

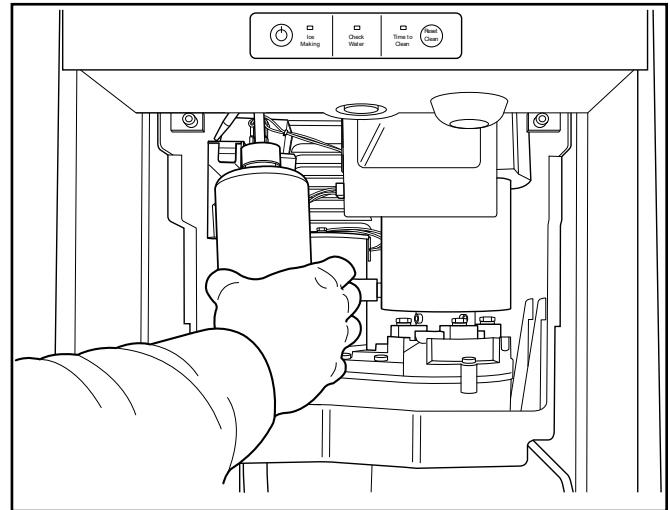


8. Obtain pre-mixed Scotsman Clear 1 Scale remover solution (with squirt bottle) or mix a solution of Clear 1 with water: 2.5 ounces of Clear 1 with 1 quart (32 oz) of warm water.

WARNING	Ice machine scale remover contains acids. Acids can cause burns.
	If concentrated cleaner comes in contact with skin, flush with water. If swallowed, do NOT induce vomiting. Give large amounts of water or milk. Call Physician immediately. Keep out of the reach of children.

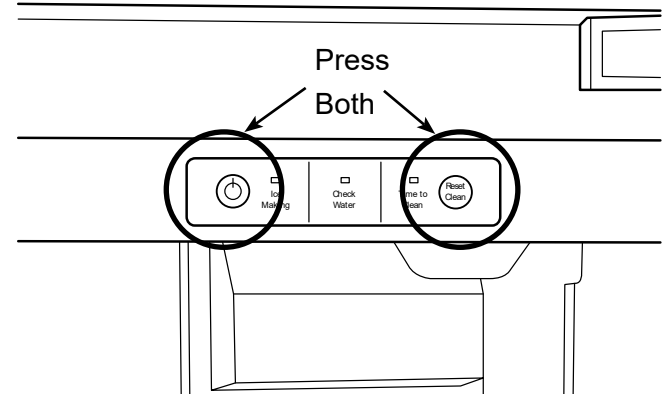
Note: Take care not to spill any scale remover on any nearby surface. Immediately wipe any spill with baking soda and water.

9. If mixing, fill the 16 oz. squirt bottle with the diluted scale remover.
10. Fill the reservoir with the scale remover solution using squirt bottle or other container. That will be about 8 ounces or half a squirt bottle.



Fill Reservoir Using Squirt Bottle

11. Press and HOLD the both the Reset-Clean and On/Off buttons for 5 seconds. The Time to Clean light will blink on and off.



12. The auger motor alone will be operating for 10 minutes, after that the compressor will start and in about 5-8 minutes the machine will start to make ice. The Time to Clean light will now glow steady until the clean cycle is complete.

Caution: Keep fingers away from moving parts.

SRN110

User's Manual

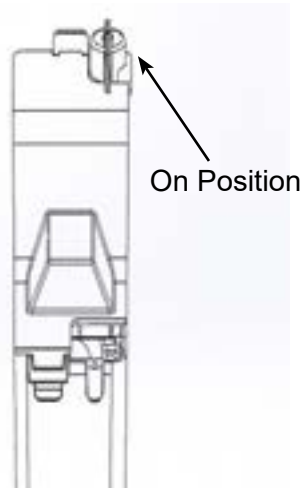
After ice making starts, continuously add scale remover solution to the reservoir to keep it about half full.

When all 16 oz of the solution is used, turn the water back On by turning the water valve knob to the left "clockwise" 90 degrees.

After 40 minutes the ice machine and all the control panel lights will shut off.

13. Pull the drain plug again to drain the system, then re-place it.
14. Return the reservoir cover to its original position. The water valve must be turned Off before the cover can be returned.

15. Return the upper back wall of the bin to its original position and secure it with the original screws. Push in to snap it into place.



16. Pour a gallon of hot (95°F. – 115°F.) water into the bin to flush out the drain and melt all ice that was made during the cleaning process. Be sure all ice is melted.

*For Pump Only models.

17. Clean the bin liner of mineral scale by using any left over descaling solution to scrub the scale off of the liner. If none is left over, mix a solution of 2.5 ounces of descaling solution and 1 quart of water.

*17a. After ice melts, pour 1 qt. of water down the bin drain until the pump turns on. Once pump turns on IMMEDIATELY stop.

*17b. Once pump shuts off, add a mixture of 10 oz of water and 4 oz of descaling solution to bin drain. If the pump cycles during this process, then repeat step 17a; making sure to stop pouring as soon as the pump turns on. Then repeat step 17b. Let machine sit in off state for 1/2 an hour.

18. Rinse the liner with hot water.

Sanitize the bin interior.

*For Pump Only models.

19. Create a solution of sanitizer by mixing 1 gallon (4 liters) of clean, warm potable water (105-115°F) with 1.6 oz of locally approved sanitizer and sanitize the bin interior and flush the drain.

*19a. Pour 1 qt. of water down the bin drain until the pump turns on. Once pump turns on IMMEDIATELY stop.

*19b. Once the pump shuts off, mix 13 oz of clean, warm potable water (105-115°F) with 1 oz of locally approved sanitizer to sanitize the bin interior. If the pump cycles during this process, then repeat step 19a; making sure to stop pouring as soon as the pump turns on. Then repeat step 19b. Let machine sit in off state for 10 minutes.

20. Rinse the liner with hot water.

21. Push and release the On/Off button to restart ice making.

The ice scoop should be washed regularly, wash it just like any other food container.

Other Maintenance

Note: It is normal for some lime scale to form on the gear reducer cover. Wipe up any loose scale.

Sealed Bearing Inspection

1. Remove ice machine from counter.
2. Take top panel off.
3. This is a greaseless bearing. Black oxidation may be present which is normal; check for any and wipe away. Inspect the bearing seal for wear and rust. Call for service if any is found.

What to do before calling for service

Low capacity

- Check for restricted drain or standing water in the bin
- Clean the air cooled condenser fins
- Clean the ice making system

No ice

- Check on-off switch
- Check electrical breaker
- If the Check Water light is flashing Red, check water supply. The control system checks for water every 20 minutes. When the water supply is restored, the machine will automatically restart ice making.
- If the all the lights are flashing, the auger motor has overloaded or is not operating. Call for service.*

Time to Clean light is on

- Clean the ice making system.

Erratic drain pump operation (pump models only)

- Descale and sanitize bin. See pages 13-15.
 - » If the problem continues contact a local service provider.

* Technical note: One blink and repeat indicates an overload, two blinks and repeat indicates an open motor. Reset by pressing the on/off button.

One blink and repeat indicates an overload.

Two blinks and repeat indicates an open motor. Reset by pressing the on/off button.

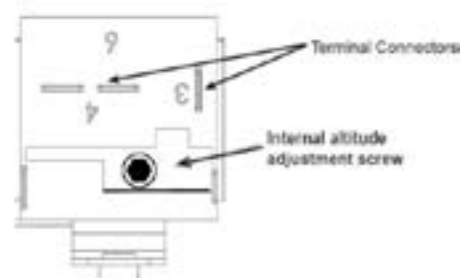
Overfilling Ice Due to High Altitude

Ice machines installed at altitudes greater than 6,000 ft or 1,800 meters above sea level will require an altitude adjustment to ensure the bin thermostat maintains the proper ice level. The altitude adjustment screw is internal to the bin control. It can be located through the cutout just in front of the terminal connectors.

Altitude Adjustment Instruction

1. Disconnect electrical power or unplug the machine.
2. Remove the front access panel.
3. Locate and remove the bin thermostat by removing both screws securing it to the machine.
4. Inside the bin thermostat, locate the internal altitude adjustment screw.
5. Using a 1/16" L-shaped hex key, align the key to start in the 12 o'clock position.
6. Using the chart below rotate the hex key CounterClockWise to the desired altitude.
7. Once adjusted properly for the altitude of the installation location, reinstall the bin thermostat in it's original position.
8. Reinstall the lower access panel and restore power and then turn on the machine to resume ice making.
9. Using an ice cube confirm proper operation of the bin thermostat after adjustment.

Feet / Meters Above Sea Level	Rotation CCW from 12 O' Clock Position
6000 ft. / 1800 m	9:45
8000 ft. / 2400 m	9:00
10,000 ft. / 3000 m	8:00



SRN110

User's Manual

Decommissioning

Only qualified technicians familiar with R290 refrigerant should decommission a machine, as special tools and containers are required for the removal, transportation, and disposal of this highly flammable substance.

- Before attempting the procedure:
 - * Ensure that all protective gear is present and used throughout the procedure.
 - * Make sure recovery equipment and containers are available and ready for use. All containers used for recovery must be rated for R290 refrigerant and must be labeled as such.
 - * Weigh any refrigerant prior to reclaiming.
- Maintain safety through standard operating procedures as outlined on page 20 of this document. Be sure to follow local, state, and federal guidelines for proper disposal.
- Do not fill containers more than 80% and do not exceed the pressure limits of the container. Make sure the machine to be decommissioned is in satisfactory working order and that the electrical components of the machine are properly sealed to prevent ignition.
- Recovered refrigerant should not be charged into another refrigerating system or mixed in another container.
- Make sure to safely transport the refrigerant in line with standard operating procedures.
- All recovered refrigerant must be returned to refrigerant supplier for proper disposal.
- If compressor or compressor oils are removed ensure it has been removed to an acceptable level so the flammable refrigerant does not remain in the lubricant.


Scotsman[®]
The Ideal Ice[®]

Manuel d'installation et d'utilisation de la machine à glaçons en forme de pépite, à usage domestique









Modèle SRN110




Brilliance™

⚠ AVERTISSEMENT	
Le réfrigérant R290 est inflammable. Les flammes peuvent provoquer des brûlures ou des dommages matériels Tenir à l'écart des sources d'incendie	

Informations importantes concernant la sécurité. Assurez-vous de lire l'intégralité du document afin d'éviter des blessures graves, voire la mort.

-  • Cette machine à glaçons contient un réfrigérant **INFLAMMABLE** et présente un risque d'incendie ou d'explosion. N'utilisez pas de cigarettes, de vapoïeuses ni de téléphone portable à proximité des tuyaux ou des câbles car ils pourraient être une source d'inflammation ou d'étincelle.
-  • La machine à glaçons ne doit pas être installée à côté d'un équipement avec une source d'inflammation ouverte (c'est-à-dire des flammes nues, un appareil à gaz en fonctionnement ou un radiateur électrique).
-  • Ne stockez pas de substances explosives telles que des bombes aérosol contenant un propulseur inflammable dans cet appareil.
-  • **AVERTISSEMENT:** Afin de réduire les risques d'inflammabilité, l'installation de cet appareil doit être effectuée uniquement par une personne dûment qualifiée.
-  • Prenez des précautions et n'installez pas la machine à glaçons à côté de quoi que ce soit qui vibre continuellement, afin d'éviter les vibrations ou pulsations excessives.
-  • Assurez-vous d'installer la machine à glaçons dans un environnement bien ventilé et assurez-vous que la ventilation et les sorties ne sont pas obstruées.
-  • Fixez correctement les fils et les câbles électriques afin qu'ils ne soient pas soumis à l'usure ni aux vibrations.
- Assurez-vous d'avoir un extincteur à portée de main en cas d'urgence.
-  • **AVERTISSEMENT :** Cancer et dommages au système de reproduction. Visitez le site www.P65Warnings.ca.gov pour obtenir de plus amples informations.
- Faites appel à un technicien recommandé par Scotsman et certifié pour réparer l'équipement R290.
- Utilisez **UNIQUEMENT** des pièces de rechange provenant de l'usine de Scotsman. L'utilisation de pièces non FEO (fabricant d'équipement d'origine) peut être dangereuse en raison des modifications de conception nécessaires pour utiliser le R290 en toute sécurité..

⚠ Attention	Ne débranchez pas l'alimentation de la machine à glaçons sans couper l'alimentation en eau.
	Remarque : Cette machine à glaçons doit être sur son propre circuit dédié sans aucun autre appareil ni machine.

SRN110

Manuel de l'utilisateur

Introduction

Ce manuel comprend des informations sur l'installation, le fonctionnement et l'entretien de la machine à glaçons à usage domestique SRN110.

La machine à glaçons SRN110 a été conçue pour offrir aux fans des glaçons en forme de pépite de Scotsman, la possibilité d'avoir ce type de glaçons chez eux. Auparavant, les glaçons en forme de pépite n'étaient disponibles que dans les établissements commerciaux, où ils sont devenus très populaires parce que l'on peut croquer ce type de glaçons. Cette machine à glaçons fabrique des glaçons en forme de pépite authentiques, en utilisant le même processus que les plus grandes machines à glaçons commerciales.

Sommaire

Introduction.....	Page 1
Description du produit :.....	Page 2
Dimensions de l'armoire.....	Page 3
Recommandations concernant l'endroit où la machine doit être installée :	Page 4
Caractéristiques de la porte décorative :	Page 5
Kits de panneaux de porte.....	Page 6
Ouverture de la porte.....	Page 7
Plomberie - Modèle avec pompe de vidange	Page 8
Plomberie : Modèle avec vidange par gravité	Page 9
Électricité et mise en marche de la machine	Page 10
Utilisation	Page 11
Entretien	Page 12
Comment enlever le tartre de la machine à glaçons.	Page 13
À faire avant d'appeler un réparateur.	Page 16
Mise hors service.....	Page 17

Avis concernant l'utilisation en extérieur :

Ne pas entreposer la machine dans un endroit trop froid. La machine sera gravement endommagée si elle est entreposée ou utilisée à des températures dépassant les limites indiquées dans ce manuel. Ce type de dommages n'est pas couvert par la garantie.

Entreposez la machine dans un endroit sec. Ne pas installer la machine dans des zones sur le sol où des flaques d'eau s'accumuleront.

Entreposez la machine dans un endroit à l'ombre : La chaleur provenant du soleil réduira la capacité de la machine à fabriquer et à conserver des glaçons, et le rayonnement ultraviolet du soleil peut potentiellement endommager les composants en plastique de la machine.

Arrivée d'eau : Évitez que les longs tuyaux ou les longs tubes soient exposés au soleil. Les tuyaux d'alimentation en eau en plastique doivent être conçus pour l'eau potable et inclure une protection UV. L'utilisation d'un tuyau en cuivre est recommandée.

Prévention contre tout reflux : La machine est équipée d'une prévention contre tout reflux, aucun clapet anti-retour supplémentaire n'est requis.

Vidange : Ne pas vidanger l'eau de la machine dans une piscine ni sur le sol.

SRN110

Manuel de l'utilisateur Description du produit

Cette machine à glaçons est conçue pour être installée à l'intérieur, dans un environnement contrôlé.

La machine SRN110 est composée de deux systèmes principaux : le système de fabrication des glaçons et le système de conservation des glaçons. Le système de fabrication des glaçons est une machine à glaçons à débit continu qui permet de fabriquer des glaçons lorsque le niveau de glaçons devient bas et qui s'arrête lorsque ce niveau est suffisamment haut.

Le système de conservation des glaçons est un « bac » isolé équipé d'un système de vidange situé au fond du bac, qui permet d'évacuer l'eau lorsque les glaçons fondent. Il n'est pas réfrigéré, ce qui garantit que le bac contient des glaçons frais.

Informations concernant l'installation

Dimensions :

L'armoire mesure 38 cm (14-7/8 po) de largeur sur 85 cm (33-3/8 po) à 87 cm (34-3/8 po) de hauteur.

Exigences concernant l'utilisation et le fonctionnement

- La machine à glaçons SRN110 doit être connectée à une alimentation en eau potable.
- L'alimentation en eau doit avoir une conductivité d'au moins 10 mS/cm.
- Pression minimale de l'eau : 1,38 bar (20 psi).
- Pression maximale de l'eau : 5,52 bar (80 psi).
- Température minimale de l'eau : 4,5 °C (40 °F).
- Température maximale de l'eau : 32 °C (90°F).

La machine est conçue pour fonctionner dans une large plage de températures de l'air :

- Température minimale de l'air : 10 °C (50°F).
- Pression maximale de l'air : 38 °C (100°F).

Bien que la machine fonctionne dans les plages indiquées ci-dessus, elle fonctionne encore mieux lorsque la température de l'eau est comprise entre 10 °C et 16 °C (50 °F et 60 °F) et lorsque la température de l'air est comprise entre 16 °C et 27 °C (60 °F et 80 °F).

Remarque : La capacité de production de glaçons diminue à mesure que la température ambiante augmente et elle sera considérablement réduite si la température est supérieure à 32 °C (90 °F).

Faire fonctionner la machine en dehors des limites recommandées peut provoquer des problèmes qui ne sont pas couverts par la garantie et, dans les cas extrêmes, peut endommager la machine.

Qualité d'eau

L'eau de la machine doit être potable ou propre à la consommation humaine. De plus, la teneur en minéraux de l'eau peut varier. Cette machine fabrique des glaçons et toute l'eau qui circule dans la machine est transformée en glaçons. Cela inclut tous les minéraux susceptibles de se trouver dans l'eau. Certains minéraux adhèrent aux composants de la machine pendant la fabrication des glaçons. Plus la teneur en minéraux est élevée, plus l'accumulation de minéraux sera importante.

Les filtres à eau sont d'une aide partielle, car ils éliminent les matières en suspension, mais un traitement de l'eau est nécessaire pour les matières qui sont dissoutes dans l'eau et qui ne peuvent pas être filtrées.

Eau filtrée par O.I.

Cette machine peut être alimentée en eau filtrée par osmose inverse mais la conductivité de l'eau ne doit pas être inférieure à 10 mS/cm. Un système d'osmose inverse doit inclure un post-traitement ou un mélange pour satisfaire l'agressivité potentielle de l'eau osmosée.

L'utilisation d'eau désionisée n'est pas recommandée et pourrait endommager la machine.

Étant donné que les adoucisseurs d'eau échangent un minéral contre un autre, l'eau adoucie peut ne pas améliorer les conditions de l'eau lorsqu'elle est utilisée avec des machines à glaçons

Puissance électrique

L'unité doit être équipée de son propre circuit de 115 volts, 60 Hz, 15 ampères. La machine est équipée d'un cordon d'alimentation électrique, mais doit être branchée uniquement sur un circuit dédié à la machine à glaçons. La machine doit être le seul appareil sur le circuit ; alimenté directement à partir du panneau de disjoncteurs.

Assurez-vous que la prise soit correctement mise à la terre et en bon état. Les prises usées ou desserrées doivent être remplacées car elles peuvent entraîner un fonctionnement irrégulier de la machine. Ne pas utiliser de cordon de rallonge.

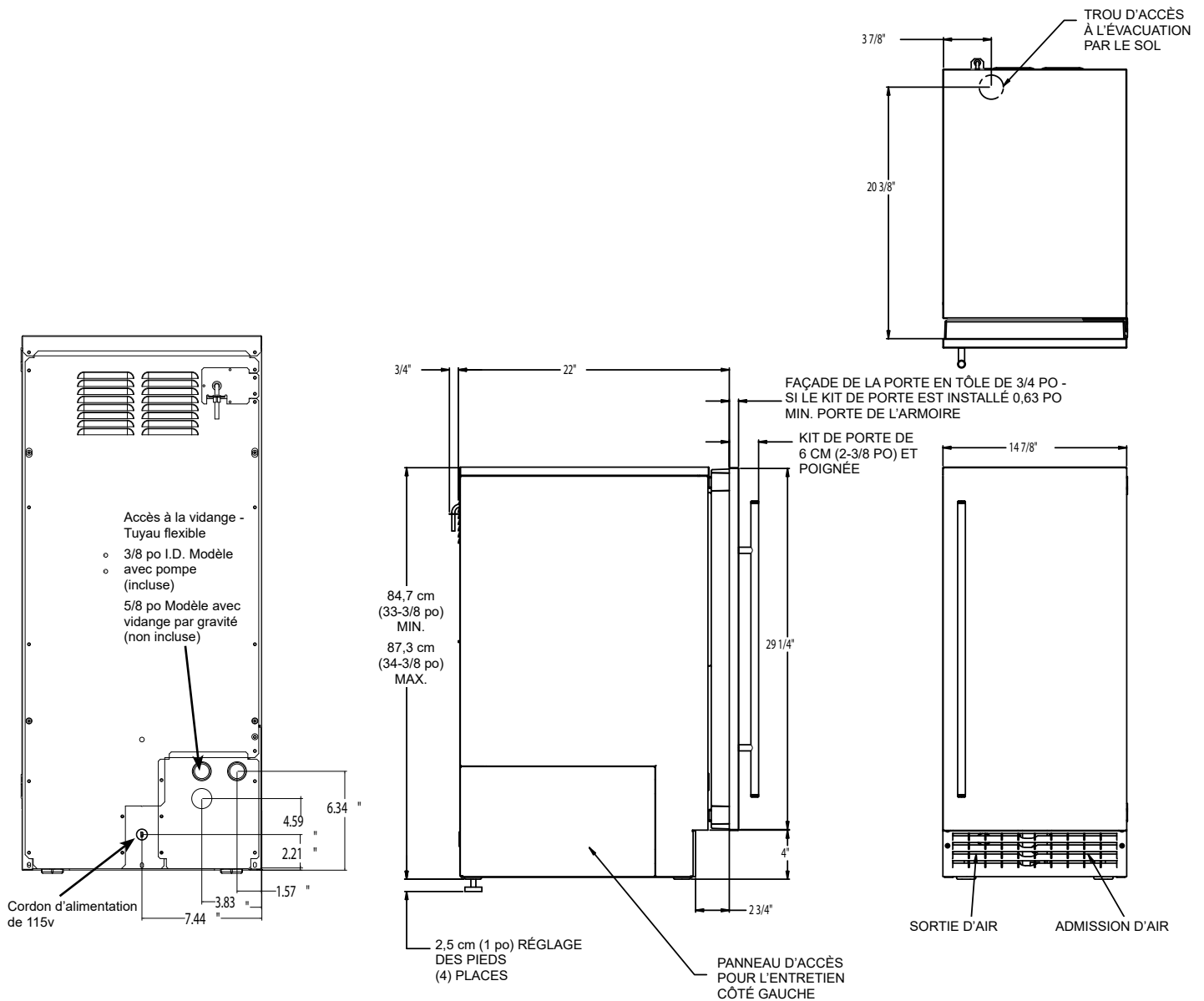


Garantie

Les informations sur la garantie sont fournies séparément de ce manuel. Veuillez les consulter pour connaître la couverture de la garantie. De manière générale, la garantie couvre les défauts concernant les matériaux ou la fabrication mais ne couvre pas les corrections des erreurs commises lors de l'installation ou de la maintenance de la machine. Remplissez l'enregistrement de la garantie en utilisant la formule d'enregistrement de la garantie et en l'envoyant par la poste ou scannez le code QR ci-dessus pour accéder au site Web de garantie Scotsman.

SRN110

Manuel de l'utilisateur Dimensions de l'armoire

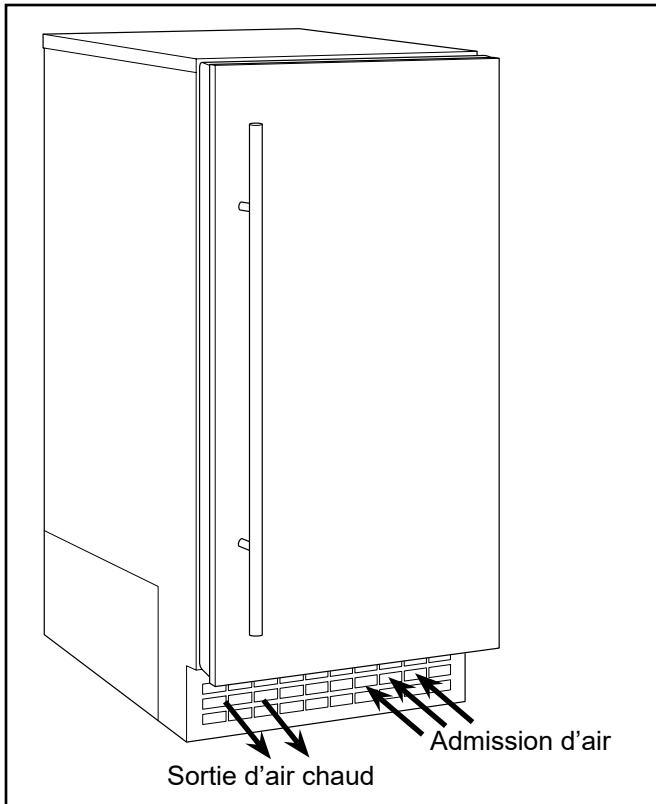


Les machines de Scotsman Ice Systems sont conçues et fabriquées en accordant la plus haute attention à la sécurité et au fonctionnement. Ils respectent ou dépassent les normes UL60335-2-24.

Scotsman décline responsabilité concernant les produits fabriqués par Scotsman ayant été modifiés de quelque manière que ce soit, y compris par l'utilisation de toute pièce et/ou d'autres composants non spécifiquement approuvés par Scotsman.

Scotsman se réserve le droit de modifier ou d'améliorer la conception du produit à tout moment. Les spécifications et la conception sont sujettes à modification sans préavis.

La machine peut être intégrée dans une armoire. Le système de réfrigération est refroidi par l'air et l'air entre et sort de la machine à travers la grille située en bas à l'avant. La grille ne doit pas être obstruée par la porte de recouvrement (décorative) ni tout autre objet.



Il y a deux modèles de machine différents, l'un utilise un système de vidange par gravité et la machine doit être raccordée au système d'évacuation d'eau du bâtiment situé en dessous du niveau du tuyau de vidange qui se trouve à l'arrière de l'armoire ; l'autre modèle est équipé d'un système de vidange avec une pompe qui force l'eau à s'écouler jusqu'à un maximum de 3 m (10 pieds), cela permet d'installer ce type de machine là où il n'est pas possible d'installer une machine équipée d'un système de vidange par gravité.

Extension de la plaque de protection : Dans certaines situations, les niveleurs des pieds seront suffisamment étendus pour être visibles.

Un kit pour étendre la plaque de protection sur les pieds de la machine est disponible, kit numéro KKPF. **Stabilité de l'armoire :** Dans certaines installations autonomes, il peut être prudent d'ajouter un support qui fixe l'arrière de l'armoire à un mur. Le numéro de ce kit est KATB.

Conversion de la vidange : Un modèle à vidange par gravité peut être converti en un modèle avec pompe de vidange en installant un kit de pompe de vidange. Le kit de pompe de vidange se compose d'une pompe de vidange, d'un faisceau de câbles et des tuyaux nécessaires. Le numéro de la pièce est KPMP.

Remarque concernant l'installation

Machine intégrée : Si le sol doit être modifié dans la zone après l'intégration de la machine à glaçons, des cales de l'épaisseur prévue du sol doivent être installées sous la machine pour maintenir la machine au niveau du sol prévu.

Remarque : Le raccordement à l'eau se fait à l'arrière de la machine, il faut donc prévoir quelques centimètres de plus pour la profondeur du meuble.

Installations sur dalle : Utilisez un modèle avec une pompe et pompez l'eau jusqu'au point d'évacuation. Les modèles avec une pompe de vidange pomperont jusqu'à 1 étage (3 m - 10 pieds) de haut.

Installations sur un vide sanitaire ou un sous-sol :

Des machines avec vidange par gravité ou avec une pompe peuvent être utilisées. S'il n'y a pas assez de place derrière la machine pour une évacuation/réceptacle à déchets, l'évacuation devra être installée sous le sol.

Remarque : Lorsque la machine est installée dans un coin, l'ouverture de la porte peut être limitée en raison du contact de la poignée avec le mur ou la façade de l'armoire.

Tous les modèles doivent être raccordés à l'eau. La teneur en minéraux de l'eau peut varier. Une machine à glaçons alimentée par une eau à haute teneur en minéraux devra être entretenue plus fréquemment. La filtration de l'eau peut améliorer le goût des glaçons et réduire une partie de l'accumulation des minéraux.

Modèles :

- SRNP110A-1SU – Avec pompe, porte non finie
- SRNG110A-1SU – Vidange par gravité, porte non finie
- SRNP110A-1SS – Avec pompe, porte en acier inoxydable finie
- SRNG110A-1SS – Vidange par gravité, porte en acier inoxydable finie

SRN110

Manuel de l'utilisateur

Caractéristiques de la porte décorative

Panneau de porte

La machine à glaçons est fournie sans revêtement de porte conventionnel afin qu'elle puisse être décorée selon les préférences de l'utilisateur. Scotsman propose un revêtement en acier inoxydable. De plus, un panneau sur mesure peut être placé sur la porte.

Panneau de porte : Des panneaux de porte finis sont disponibles auprès de Scotsman pour être fixés à la machine, ou un panneau personnalisé peut être fabriqué. Les kits de panneaux sont :

Numéro du kit	Finition du panneau	Finition de la poignée
KDFS	Acier inoxydable	Acier inoxydable

Kits de panneaux de porte

Pour fixer un panneau fourni par Scotsman :

Remarque : Si le côté de l'ouverture de la porte doit être modifié, cela doit être fait avant que le panneau ne soit fixé.

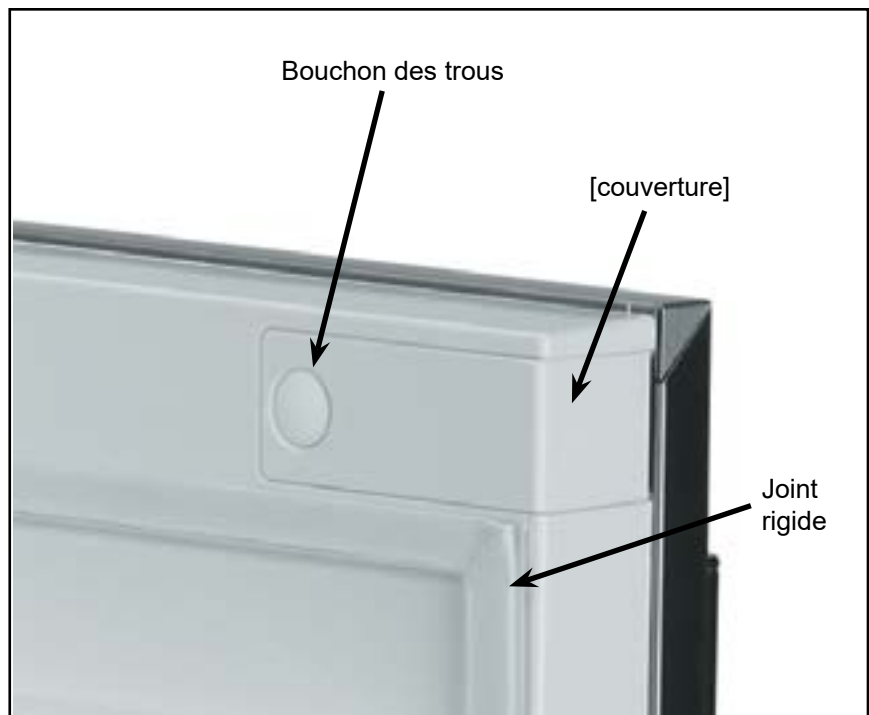
Le panneau sera maintenu par 6 vis à tôle et 2 vis à métal.

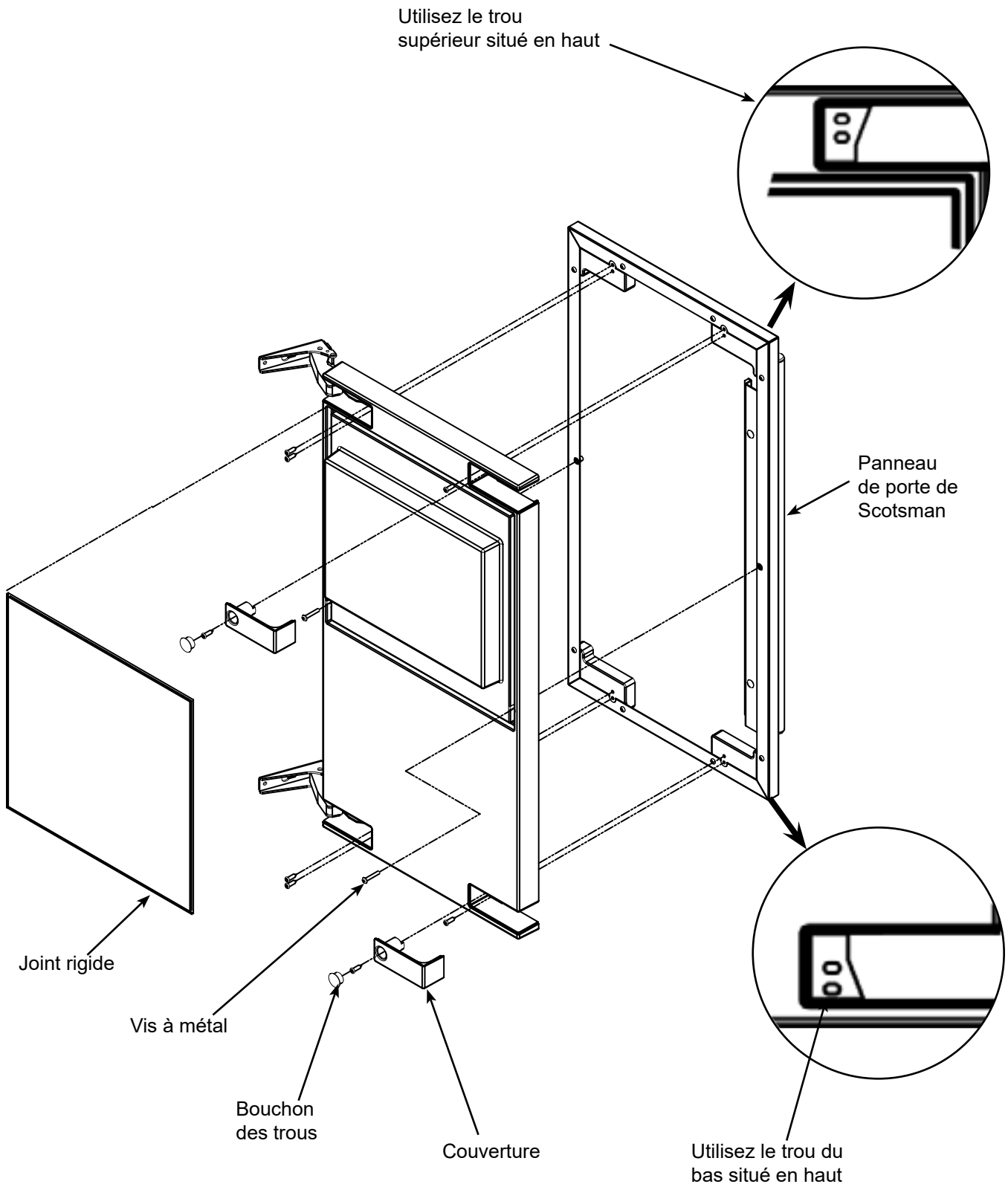
1. Retirez le joint et conservez-le pour une utilisation ultérieure.
2. Si le panneau de porte est en acier inoxydable, retirez tout plastique recouvrant le panneau en acier inoxydable.
3. Placez le panneau à l'extérieur de la porte et fixez-le à la porte à l'aide des deux vis à métal, situées au centre gauche et au centre droit.
4. Fixez le panneau à la porte à l'aide des 6 vis à tôle. Utilisez les trous de vis les situés le plus à l'extérieur dans la zone des charnières.
5. Placez les couvercles sur les zones de charnière et fixez chaque couvercle à la porte à l'aide d'une vis à tôle.
6. Insérez le bouchon du trou sur la vis installée à l'étape 5.
7. Remettez le joint dans sa position originale.

Panneau personnalisé

Un panneau personnalisé en bois ou autre matériau ne dépassant pas 6,8 kg (15 lb) peut être fixé à la porte. La fixation se fait du côté de la porte où il y a les glaçons. Des trous sont prévus à cet effet, dans la porte.

Voir les instructions dans le dossier d'informations pour créer et fixer un panneau personnalisé.





SRN110

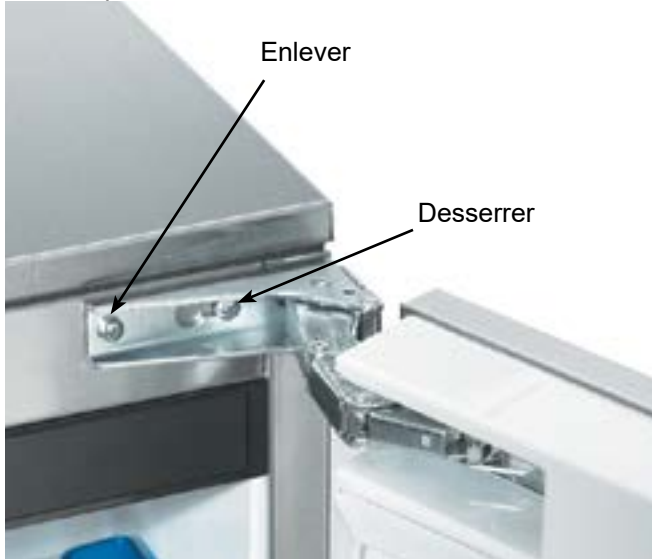
Manuel de l'utilisateur Ouverture de la porte

Remarque : Les modèles précédents avaient des supports de charnière séparés et des directions différentes pour changer l'ouverture de la porte.

Les charnières peuvent être déplacées afin de permettre à la porte de s'ouvrir du côté gauche ou droit. Changez le côté de l'ouverture de la porte avant de fixer le panneau de la porte.

Pour changer de côté :

1. Retirez la vis située la plus à l'intérieur retenant chaque charnière à l'armoire, et desserrez l'autre.



2. Faites glisser la porte sur le côté et retirez-la de l'armoire.



3. Retirez les couvercles des logements de fiche et de charnière de la porte.
-

Remarque : Il y a des bouchons ou des vis dans les trous où les charnières seront montées. Il faut les déplacer.

4. Retirez les bouchons ou les vis des nouveaux emplacements de charnière de la machine et mettez-les de côté.
 5. Placez les vis desserrées à l'étape 1 à l'emplacement opposé.
 6. Installez les vis ou les bouchons retirés à l'étape 4 à l'emplacement d'origine de la charnière de la machine pour remplir les trous.
 7. Retirez la charnière supérieure de la porte et placez-la sur le côté opposé de la porte, en bas. Fixez-la à l'aide des vis d'origine.
-

Remarque : Si le panneau de la porte est fixé, il doit être retiré pour accéder aux vis des charnières et inverser la position de la poignée.

8. Retirez la charnière inférieure d'origine et placez-la sur le côté opposé de la porte, à l'emplacement du haut. Fixez-la à l'aide des vis d'origine.
9. Installez les couvercles des logements et les bouchons des trous sur la porte.
10. Fixez la porte à l'armoire à l'aide des vis d'origine.

SRN110

Manuel de l'utilisateur

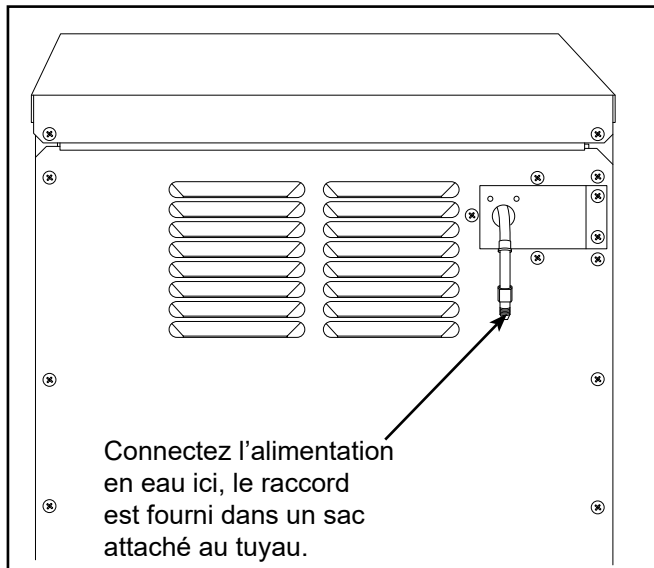
Plomberie - Modèle avec pompe de vidange

Arrivée d'eau

La conduite recommandée pour l'alimentation en eau est un tube en cuivre de 1/4 po de diamètre extérieur (DE). Un tube flexible en acier inoxydable ou un tube en PVC renforcé peut également être utilisé. L'installateur doit raccorder ces conduites à l'alimentation en eau et au système d'évacuation du bâtiment. Toutes les sections horizontales des conduites d'évacuation doivent respecter une pente de 1/4 po par pied. Un entrefer sera probablement exigé entre le tuyau d'évacuation de la machine à glace et le réceptacle d'évacuation/déchets.

L'arrivée d'eau se trouve à l'arrière de l'armoire.

Connectez la machine en utilisant le raccord à compression fourni attaché au tube d'arrivée d'eau à l'arrière de l'armoire. Armoire intégrée : Placez une



longueur suffisante de tuyau derrière la machine afin de pouvoir la pousser dans la cavité sans plier le tuyau.

Remarque : Il est recommandé de purger la conduite d'eau avant de la raccorder à la machine à glaçons. Cela permettra d'éliminer les sédiments de la conduite et empêchera toute obstruction du débit d'eau.

Vidange

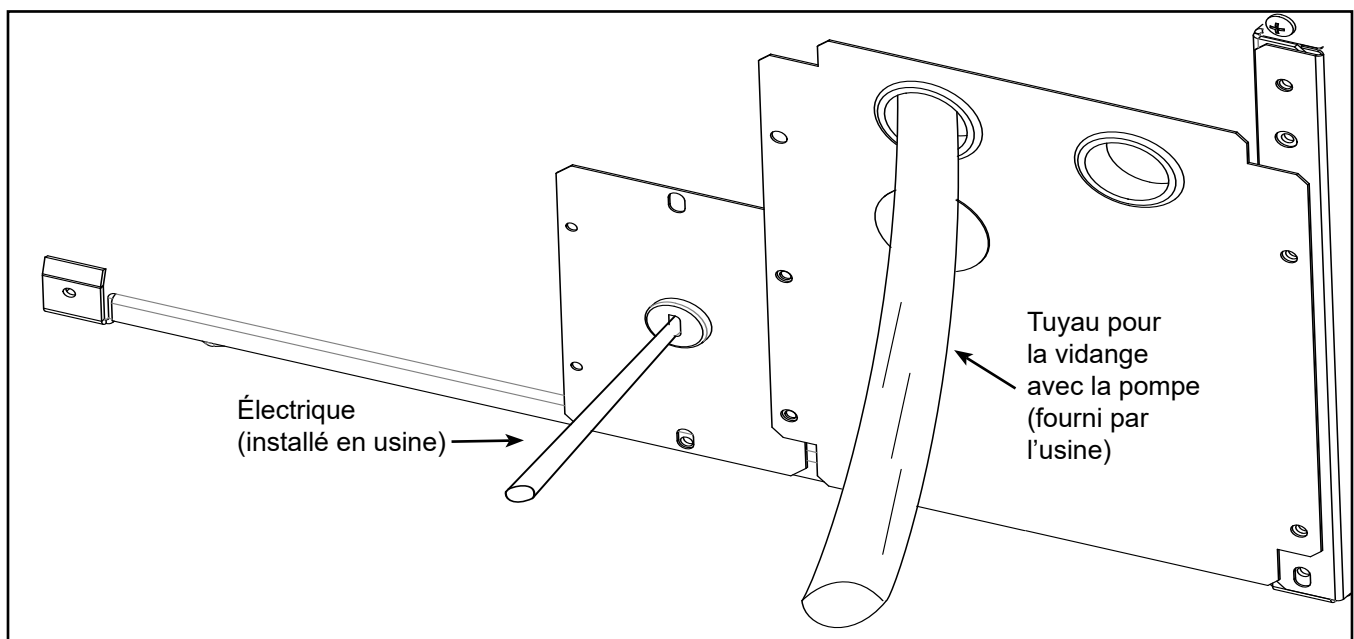
Il existe deux types de modèles de machines à glaçons, l'un qui se vidange par gravité et l'autre doté d'une pompe de vidange interne.

Installation de la pompe de vidange sur le modèle de machine à glaçons équipée d'une pompe.

1. Acheminez le tuyau de vidange en plastique de l'arrière de la machine jusqu'au point de raccordement de la vidange.
2. Vérifiez toutes les connexions afin de vous assurer qu'il n'y ait aucune fuite et ni aucune goutte d'eau et assurez-vous que les tuyaux soient sécurisés.

Le point de raccordement de la vidange peut atteindre 3 m (10 pieds) au-dessus de la machine à glaçons. La pompe de vidange comprend un clapet anti-retour pour empêcher que l'eau soit à nouveau pompée dans le tuyau de vidange.

NOTE IMPORTANTE : Respectez la coupure anti-retour prévue par le code en vigueur entre l'extrémité du tuyau de vidange et l'endroit où l'eau s'écoule.



Attention : Toute obstruction dans le système de vidange de la machine entraînera un refoulement de l'eau dans le bac de conservation des glaçons et fera fondre les glaçons. Le tuyau pour la vidange par gravité doit être ventilé, ne pas être plié et incliné vers les tuyaux d'évacuation du bâtiment. Une coupure anti-retour est généralement requise par le code local.

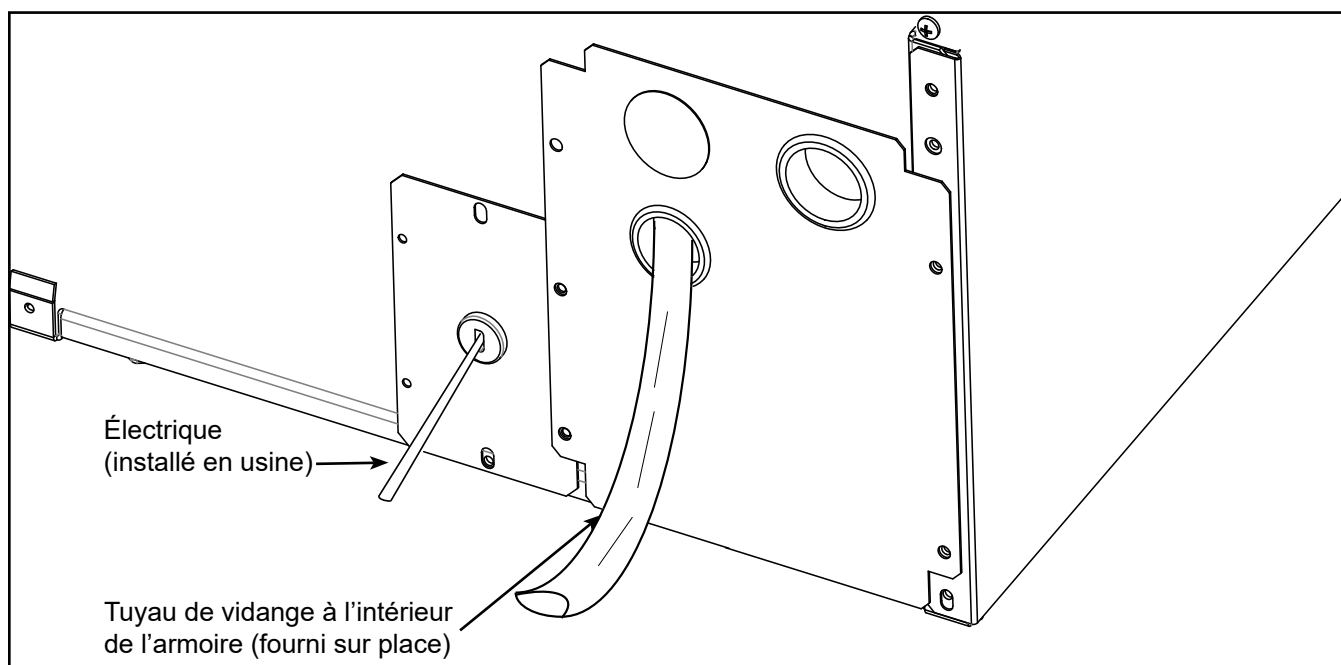
1. Placez la machine à glaçons devant l'ouverture de l'installation. Ajustez les pieds de nivellement à une hauteur approximative.
2. Insérez le tuyau de vidange dans le trou du panneau arrière.
3. Retirez le panneau arrière supérieur si nécessaire pour accéder au raccordement pour la vidange.

Remarque : Si vous connectez un modèle avec une vidange par gravité et que l'ouverture pour la vidange a été située dans le sol sous le bac de la base conformément aux spécifications de pré-installation, suivez les étapes 4 à 7a pour vidanger la machine à travers la base. Sinon, passez à l'étape 7b.

4. Retirez le collier et le coude cannelé et retirez le couvercle en plastique du bac de la base sous le tuyau de vidange.
5. Connectez un connecteur cannelé droit de 5/8 po au tuyau de vidange, en le fixant avec le collier de serrage fourni.
6. Coupez un morceau de tuyau Tygon (en plastique transparent) de 20 cm (8 po) de 5/8 po de diam. int. X 7/8 po de diam. ext. Faites glisser une extrémité

du tuyau sur la sortie du connecteur cannelé et fixez-le avec une pince. Laissez l'autre extrémité du tuyau reposer sur le fond du bac de la base jusqu'à ce que la machine soit positionnée sur l'évacuation par le sol.

7. Acheminez le tuyau de vidange. Soit a) Insérez le tuyau de vidange à travers le bac de la base dans l'évacuation par le sol, soit b) Faites passer le tuyau de vidange à travers le trou du panneau arrière inférieur et connectez-le au coude cannelé et fixez-le avec une pince. Vérifiez toutes les connexions afin de vous assurer qu'il n'y ait aucune fuite et ni aucune goutte d'eau et assurez-vous que les tuyaux soient sécurisés.
8. Réinstallez tous les panneaux retirés pour connecter la vidange.



SRN110

Manuel de l'utilisateur Électricité et mise en marche de la machine

La machine à glaçons est fournie avec un cordon d'alimentation. Ne retirez pas la broche de mise à la terre de la fiche du cordon.

Ne pas utiliser de rallonge. Respectez tous les codes en vigueur.

Connectez la machine à un circuit dédié de 115 volts, 15 ampères.

1. Si la prise électrique de la machine à glaçons se trouve derrière la machine, branchez la machine.
2. Positionnez la machine dans l'ouverture où elle doit être installée.
3. Une fois l'alimentation en eau purgée, ouvrez l'alimentation en eau. Assurez-vous que la machine à glaçons soit branchée et qu'elle soit sous tension. Assurez-vous qu'il n'y ait aucune fuite d'eau.
4. Faites glisser la machine dans l'ouverture où elle doit être installée, en accordant une attention particulière aux raccords d'alimentation en eau et au tuyau pour la vidange. Ils ne doivent pas être pliés !
5. Versez quelques litres d'eau dans le bac à glaçons ; sur les machines équipées d'une pompe de vidange, la pompe de vidange doit démarrer et l'eau doit s'écouler. Assurez-vous qu'il n'y ait aucune fuite et ni aucune goutte d'eau et assurez-vous que les tuyaux soient sécurisés.
6. Remplacez le panneau d'accès pour l'entretien.
7. Mettez la machine de niveau si nécessaire.

Liste de vérification pour l'installation :

1. La machine a-t-elle été raccordée à une alimentation en eau appropriée ?
2. Vous êtes-vous assuré qu'il n'y a aucune fuite ?
3. La machine a-t-elle été raccordée à une évacuation ?
4. Vous êtes-vous assuré que le débit de l'évacuation est correct et qu'il n'y a aucune fuite ?
5. La machine a-t-elle été raccordée à une alimentation électrique appropriée ?
6. La machine a-t-elle été mise de niveau ?
7. Tous les matériaux d'emballage ont-ils été retirés de la machine ?
8. Le revêtement de la porte a-t-il été installé ?

Mise en service initiale

1. Ouvrez l'alimentation en eau et assurez-vous qu'il n'y ait aucune fuite.
2. Mettez l'alimentation électrique en marche.
3. Enfoncez et relâchez l'interrupteur Marche/Arrêt pour mettre la machine en marche. Le voyant de fabrication de glaçons (MAKING ICE) à côté de l'interrupteur Marche/Arrêt s'allumera en vert. De l'air chaud sortira de la grille avant gauche.

Il faudra environ 10 minutes à la machine à glaçons pour commencer à déposer glaçons en forme de pépite dans le bac de conservation. Il est normal que les glaçons fondent ; ils fonderont à un rythme de plus en plus lent. Il faudra environ 6 à 7 heures pour remplir le bac à glaçons. Le bac peut contenir environ 9 kg (20 lb) de glaçons lorsqu'il est plein.

Contrôle du niveau de glaçons

Le contrôle du niveau des glaçons de la machine SRN110 est effectué par un capteur à ultrasons situé au-dessus de la zone de conservation des glaçons. Ce contrôle est automatique et il n'y a aucun réglage à faire. Lorsque les glaçons fondent ou sont utilisés et que le niveau des glaçons descend en dessous d'une certaine distance prédéfinie, le système de contrôle remet en marche le système de fabrication des glaçons. La machine fabrique alors des glaçons jusqu'à ce que le niveau prédéfini soit atteint. Placez votre main dans la machine pour enlever des glaçons n'affecte pas le niveau des glaçons.

Aucune instruction particulière n'est nécessaire pour l'utilisation de la machine à glaçons. Prenez simplement la quantité de glaçons dont vous avez besoin et la machine en fera d'autres. Une pelle à glaçons est fournie et peut être rangée dans la machine en utilisant la boucle du tuyau située sur le côté droit.

La machine peut être éteinte à tout moment en appuyant et en relâchant simplement le bouton Marche/Arrêt.

Qu'est-ce qu'il ne faut pas faire ?

Ne conservez jamais quoi que ce soit dans le bac à glaçons qui ne soit pas des glaçons. Les objets comme les bouteilles de vin ou de bière sont non seulement insalubres, mais les étiquettes peuvent se décoller et boucher les canalisations.

Ne laissez jamais la machine fonctionner sans effectuer un nettoyage régulier. La durée de vie de la machine sera plus longue si elle reste propre. Un nettoyage régulier doit être effectué au moins une fois par an, et de préférence deux fois. Certaines eaux imposeront un nettoyage encore plus fréquent de la section de fabrication des glaçons, et certaines moquettes ou animaux imposeront un nettoyage plus fréquent du

condenseur.


Remarque : Le voyant « TIME TO CLEAN » (Nettoyage requis) s'allumera après 6 mois de fonctionnement de la machine. Il restera allumé jusqu'à ce que le système de fabrication de glaçons soit nettoyé en utilisant le processus décrit à la page 13.

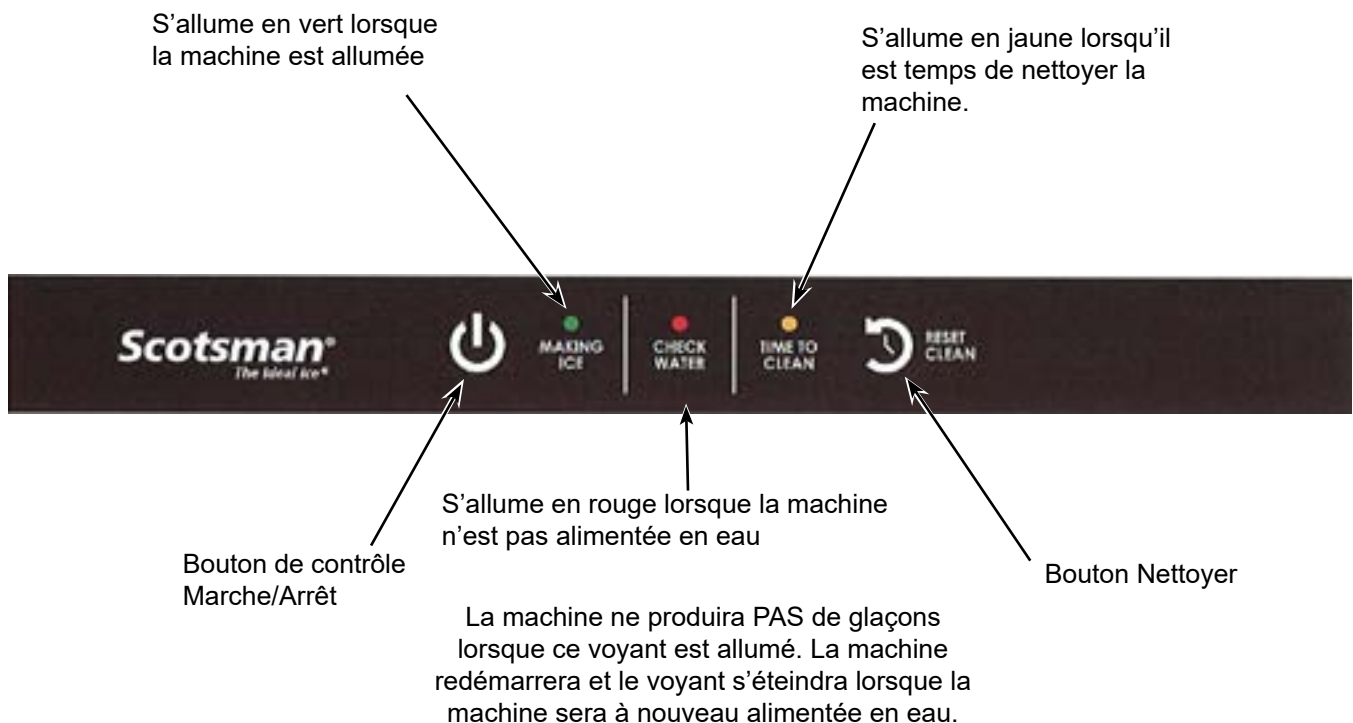
Bruit :

La machine à glaçons est conçue pour un fonctionnement silencieux, mais elle fera du bruit pendant le cycle de fabrication des glaçons.

Fabrication de glaçons

Les glaçons en forme de pépite tomberont dans le bac à un rythme irrégulier pendant la fabrication des glaçons. Parfois peu de glaçons tomberont dans le bac tandis qu'à d'autres moments, un plus grand nombre de glaçons en forme de pépite tomberont dans le bac. Quelques gouttes d'eau peuvent également s'écouler avec les glaçons. Ces deux choses sont tout à fait normales.

	<p>Ne débranchez pas l'alimentation de la machine à glaçons sans couper l'alimentation en eau.</p> <p>Remarque : Cette machine à glaçons doit être sur son propre circuit dédié sans aucun autre appareil ni machine.</p>
--	--



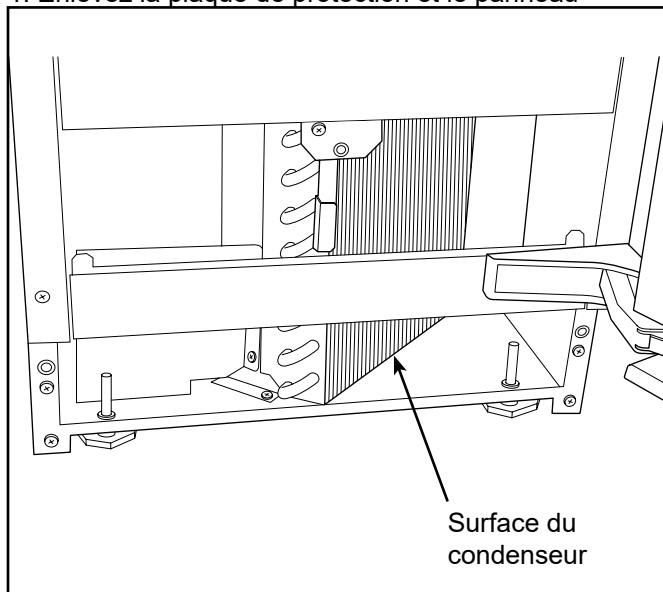
Scotsman recommande vivement d'entretenir régulièrement cette machine à glaçons. Le tartre minéral présent dans l'eau s'accumule progressivement sur les surfaces du système de fabrication des glaçons, pendant le fonctionnement normal de la machine. Cette accumulation de tartre peut entraîner une charge excessive du système de fabrication des glaçons, ce qui peut provoquer une panne prématurée de la machine. L'élimination régulière du tartre minéral prolongera la durée de vie du produit.

Fréquence conseillée de l'entretien de la machine : tous les 6 mois. Type d'entretien : Détartrage, vérification du joint pour l'eau, vérification du réservoir d'eau, vérification de la vidange du bac, nettoyage du condenseur refroidi par air et désinfection du bac de conservation.

Nettoyage du condenseur

Le condenseur est comme le radiateur d'une voiture, il possède des ailettes et des tubes qui peuvent se boucher avec de la saleté et des peluches. Nettoyage :

1. Enlevez la plaque de protection et le panneau



frontal.

2. Localisez la surface du condenseur.
3. Passez l'aspirateur sur la surface en éliminant toute la poussière et les peluches.

Attention : Ne faites pas de bosse sur les ailettes.

4. Remettez la plaque de protection et le panneau frontal dans leurs positions d'origine. Fixez-les à l'armoire à l'aide des vis d'origine.

Hivernage

1. Nettoyez le système de fabrication des glaçons conformément aux instructions indiquées à la section Entretien.
2. Ouvrez la porte et poussez et relâchez l'interrupteur Marche/Arrêt pour éteindre la machine.
3. Fermez l'alimentation en eau.
4. Enlevez les glaçons du bac de conservation.
5. Retirez le bouchon de vidange et vidangez le réservoir d'eau, puis remettez le bouchon dans sa position d'origine.
6. Versez environ 1,9 litre (1/2 gallon) d'antigel pour camping-car (propylène glycol) dans le tuyau d'évacuation du bac de conservation des glaçons si vous avez un modèle équipé d'une pompe de vidange.

Remarque : N'utilisez PAS d'antigel pour les voitures.

7. Éteignez et débranchez la machine.

Bac et système de drainage

Au fil du temps, un biofilm peut se développer à l'intérieur du système de vidange, ce qui peut affecter la capacité du système de vidange à évacuer l'eau de vidange. Sur les modèles équipés d'une pompe, cela peut également entraîner un dysfonctionnement de la pompe. La pompe peut rester coincée et tourner à sec. Les problèmes de biofilm et de cycle de la pompe entraîneront éventuellement une faible production et de l'eau stagnante dans le bac. Une désinfection fréquente du bac peut être nécessaire afin de garantir que cela ne devienne pas un problème.

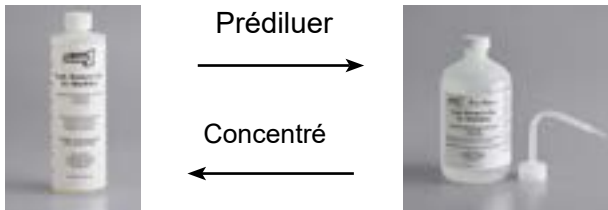
Le bac de conservation des glaçons doit être désinfecté de temps en temps. Il est généralement pratique de désinfecter le bac une fois que le système de fabrication des glaçons a été nettoyé et que le bac de conservation est vide. Une solution de désinfectant peut être préparée en mélangeant 4 litres (1 gallon) d'eau potable propre et tiède (entre 41 °C et 46 °C - entre 105 °F et 115 °F) avec 47 ml (1,6 once) de désinfectant approuvé localement. Utilisez un chiffon propre et essuyez l'intérieur du bac de conservation des glaçons avec la solution désinfectante, versez une partie de la solution dans le tuyau d'évacuation. Laisser sécher à l'air.

La machine peut être nettoyée en ajoutant un mélange de produit détartrant et d'eau dans la machine à glaçons et de continuer à ajouter ce mélange au fur et à mesure que la machine fabrique les glaçons. Le produit détartrant doit être dilué en respectant le bon rapport produit détartrant/eau. L'utilisation d'un flacon pulvérisateur facilitera grandement l'ajout du détartrant lorsque la machine est intégrée. Si elle n'est pas intégrée, retirez le panneau supérieur pour accéder au réservoir.

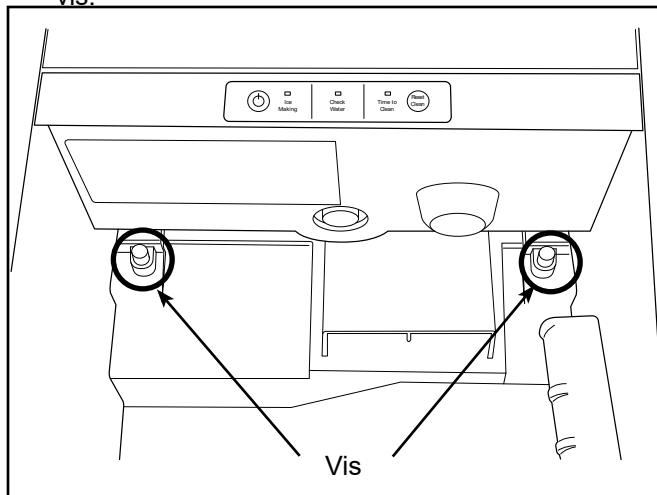
Outils recommandés : Gants en caoutchouc, flacon pulvérisateur et détartrant. Le flacon pulvérisateur pré-mélangé de 473 ml (16 oz) de détartrant porte le numéro de pièce 19-0664-01. Concentré 16 onces. Le détartrant porte le numéro de pièce 19-0653-01.

Remarque : lorsque vous utilisez un détartrant concentré, utilisez un rapport de 1,25 oz. de détartrant à 16 oz. d'eau tiède. Une bouteille compressible avec un coude à 90 degrés est nécessaire.

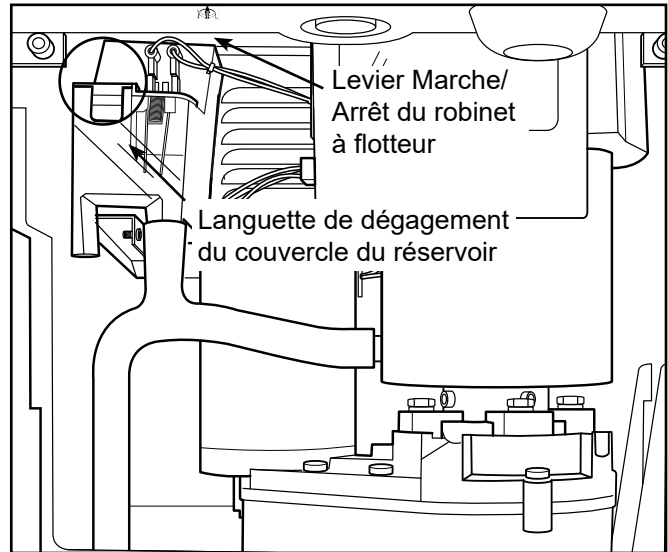
AVERTISSEMENT : N'utilisez pas de détartrant concentré non dilué car cela pourrait endommager la machine.



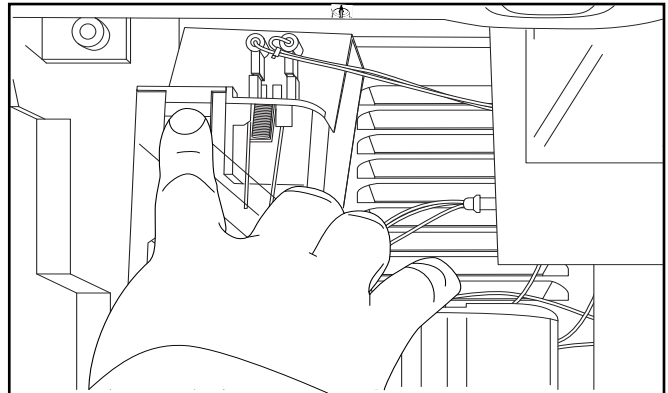
1. Retirez tous les glaçons et jetez-les.
2. Appuyez sur le bouton Marche/Arrêt et relâchez-le.
3. Ouvrez la porte et localisez les vis situées sur la paroi arrière supérieure du bac. Enlevez les deux vis.



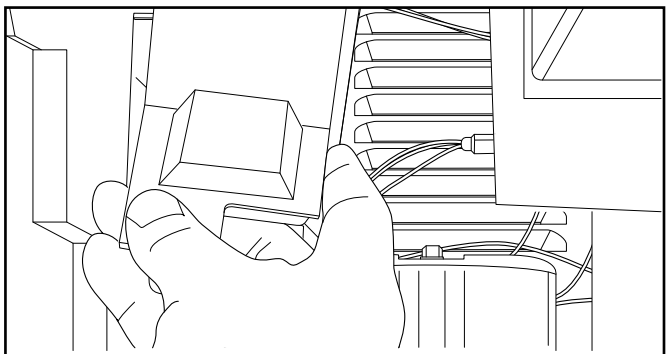
4. Retirez le panneau arrière du bac en l'abaissant au-delà du support de la pelle à glaçons, n'hésitez pas à faire pivoter la boucle du support de la pelle à glaçons vers le bas pour avoir plus de place.



5. Localisez l'interrupteur de la vanne d'arrivée d'eau. Coupez l'eau en tournant le bouton vers la droite « dans le sens inverse des aiguilles d'une montre » de 90 degrés. La vanne doit être fermée avant de pouvoir retirer le couvercle.

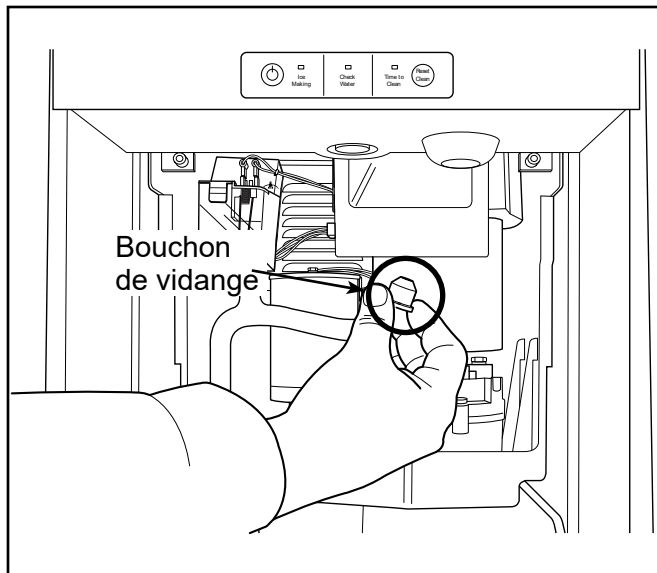
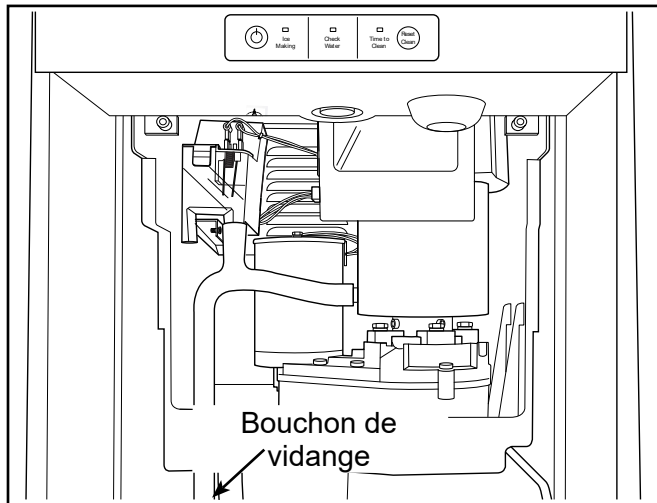


6. Poussez la languette sur le bord avant du couvercle du réservoir et retirez le couvercle. Remarque : Les fils adjacents sont à basse tension et ne sont pas dangereux.



Soulevez le couvercle du réservoir pour le retirer

7. Trouvez le bouchon de vidange et retirez-le pour vider le réservoir et l'évaporateur. Une fois la vidange terminée remettez le bouchon dans sa position d'origine.



8. Obtenez la solution antitartre Clear 1 pré-mélangée de Scotsman (et un flacon pulvérisateur) ou mélangez une solution de Clear 1 avec de l'eau : 74 ml (2,5 onces) de Clear 1 avec 946 ml (32 oz) d'eau.

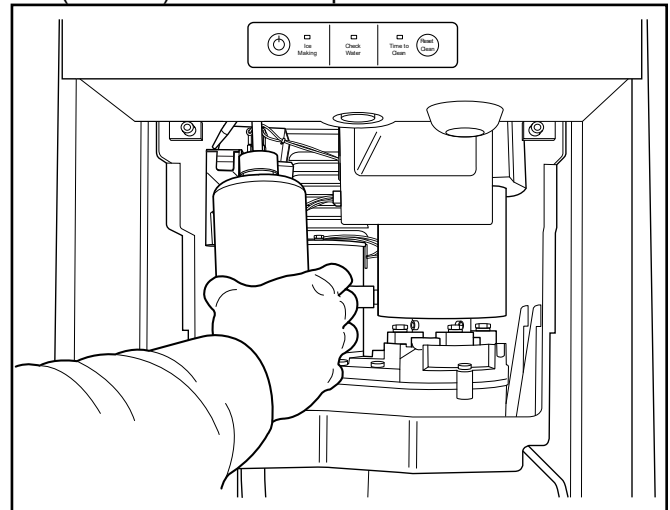
AVERTISSEMENT

Le détartrant pour machine à glaçons contient des composés acides. Les acides peuvent provoquer des brûlures.

En cas de contact du produit nettoyant concentré avec la peau, rincer à l'eau. En cas d'ingestion, NE PAS faire vomir. Faire boire de grandes quantités d'eau ou de lait. Appeler un médecin immédiatement. Conserver hors de la portée des enfants.

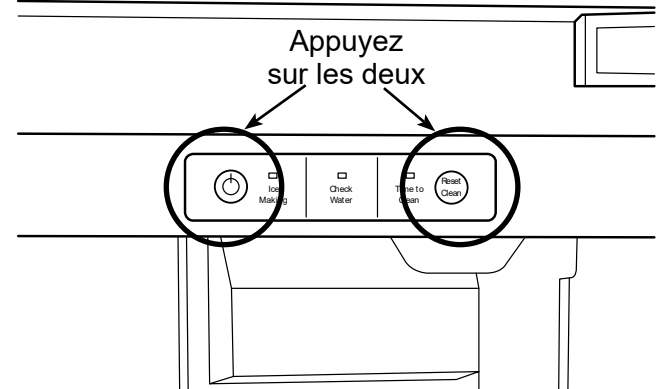
Remarque : Veillez à ne pas renverser de détartrant sur les surfaces à proximité. Essayez immédiatement tout déversement avec du bicarbonate de soude et de l'eau.

9. Si vous effectuez le mélange, remplissez le flacon pulvérisateur de 473 ml (16 oz) de détartrant et vaporisez une le produit dilué.
10. Remplissez le réservoir avec la solution antitartre à l'aide d'un flacon pulvérisateur ou d'un autre récipient. Cela équivaudra à environ 237 ml (8 onces) ou un flacon pulvérisateur.



Remplissez le réservoir en utilisant un flacon pulvérisateur

11. Appuyez et MAINTENEZ enfoncés les boutons Réini-Nettoyage et Marche/Arrêt pendant 5 secondes. Le voyant « TIME TO CLEAN » (Nettoyage requis) clignotera.



12. Le moteur de la vis sans fin fonctionnera seul pendant 10 minutes, après quoi le compresseur démarrera et après environ 5 à 8 minutes, la machine commencera à fabriquer des glaçons. Le voyant « TIME TO CLEAN » (Nettoyage requis) restera allumé en continu jusqu'à ce que le cycle de nettoyage soit terminé.

Attention : Assurez-vous que vos doigts restent éloignés des pièces mobiles.

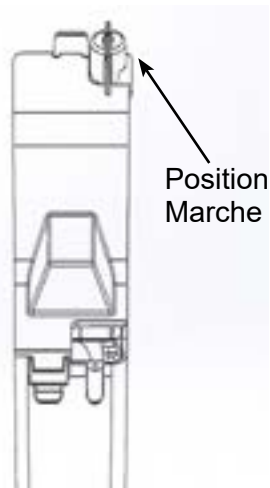
Une fois la fabrication de glaçons commencée, ajoutez continuellement une solution antitartre dans le réservoir pour le maintenir à moitié plein.

Lorsque les 473 ml (16 oz) de solution sont utilisées, rallumez l'eau en tournant la vanne d'arrivée d'eau vers la gauche « dans le sens des aiguilles d'une montre » de 90 degrés.

Après 40 minutes, la machine à glaçons et tous les voyants du panneau de contrôle s'éteindront.

13. Tirez à nouveau sur le bouchon de vidange pour vidanger le système, puis remettez-le en place.
14. Remettez le couvercle du réservoir dans sa position initiale. La vanne d'arrivée d'eau doit être fermée avant de pouvoir remettre le couvercle.

15. Remettez la paroi arrière supérieure du bac dans sa position d'origine et fixez-la avec les vis d'origine. Poussez pour la mettre en place.



16. Versez 3,78 litres (1 gallon) d'eau chaude à une température comprise entre 35 °C et 46 °C (95 °F à 115 °F) dans le bac pour rincer la vidange et faire fondre tous les glaçons qui ont été fabriqués pendant le processus de nettoyage. Assurez-vous que tous les glaçons aient fondu.

*Pour les modèles ayant une pompe uniquement

17. Enlevez le tartre minéral du revêtement du bac en utilisant les restes de solution anticalcaire utilisée pour enlever le tartre du bac. Si vous n'avez plus de solution anticalcaire disponible, mélangez une solution de 74 ml (2,5 onces) de détartrant Clear 1 et 0,9 litre d'eau.

*17a. Lorsque les glaçons ont fondu, versez 1 litre d'eau dans l'évacuation du bac jusqu'à ce que la pompe se mette en marche. Arrêtez IMMÉDIATEMENT une fois que la pompe a démarré.

*17b. Une fois que la pompe est arrêtée, ajoutez un mélange de 296 ml (10 oz) d'eau et 118 ml (4 oz) de détartrant Clear 1 de Scotsman dans l'évacuation du bac. Si la pompe fonctionne pendant ce processus, répétez l'étape 17a ; en veillant à arrêter de verser le mélange dès que la pompe se met en marche. Répétez ensuite l'étape 17b. Laissez la machine éteinte pendant 1/2 heure.

18. Rincez le revêtement avec de l'eau chaude.

Désinfection de l'intérieur du bac

*Pour les modèles ayant une pompe uniquement

19. Préparez une solution de désinfectant en mélangeant 4 litres (1 gallon) d'eau potable propre et tiède (entre 41 °C et 46 °C - entre 105 °F et 115 °F) avec 47 ml (1,6 oz) de désinfectant approuvé localement pour désinfecter l'intérieur du bac et rincer l'évacuation.

*19a. Versez 0,9 litre d'eau dans l'évacuation du bac jusqu'à ce que la pompe se mette en marche. Arrêtez IMMÉDIATEMENT une fois que la pompe a démarré.

*19b. Une fois que la pompe est arrêtée, mélangez 384 ml (13 oz) d'eau potable propre et tiède (entre 41 °C et 46 °C - entre 105 °F et 115 °F) avec 30 ml (1 oz) de désinfectant approuvé localement pour désinfecter l'intérieur du bac. Si la pompe fonctionne pendant ce processus, répétez l'étape 19a ; en veillant à arrêter de verser le mélange dès que la pompe se met en marche. Répétez ensuite l'étape 19b. Laissez la machine éteinte pendant 10 minutes.

20. Rincez le revêtement avec de l'eau chaude.
21. Appuyez et relâchez le bouton Marche/Arrêt pour redémarrer la fabrication de glaçons.

La pelle à glaçons doit être lavée régulièrement, comme n'importe quel autre récipient alimentaire.

Autres entretiens

Remarque : Il est normal qu'un peu de calcaire se forme sur le couvercle du réducteur. Essuyez le tartre qui s'est détaché.

Inspection des roulements scellés

1. Retirez la machine à glaçons du comptoir.
2. Retirez le panneau supérieur.
3. Il s'agit d'un roulement sans graisse. Une oxydation noire peut être présente, ce qui est normal ; essuyez si nécessaire. Inspectez le joint de roulement pour déceler s'il est usé ou rouillé. Appelez le service de dépannage si vous en trouvez.

Faible capacité

- Vérifiez si l'évacuation est obstruée ou s'il y a de l'eau stagnante dans le bac.
- Nettoyez les ailettes du condenseur refroidi par air.
- Nettoyez la machine à glaçons.

Pas de glaçons

- Vérifiez l'interrupteur Marche/Arrêt.
- Vérifiez le disjoncteur électrique.
- Vérifiez l'alimentation en eau si le voyant « Vérifiez l'eau » clignote en rouge. Le système de contrôle vérifie la présence d'eau toutes les 20 minutes. La machine redémarre automatiquement la fabrication de glaçons lorsque l'approvisionnement en eau est rétabli.
- Si tous les voyants clignent, le moteur de la vis sans fin est en surcharge ou ne fonctionne pas. Appeler un réparateur.*

Le voyant « TIME TO CLEAN » (Nettoyage requis) est allumé

- Nettoyez la machine à glaçons.

Fonctionnement irrégulier de la vidange (modèles à pompe uniquement)

- Nettoyez et désinfectez le bac. Voir les pages de 13 à 15.
 - » Si le problème persiste contactez un réparateur local.

*Note technique : Un clignotement et une répétition indiquent une surcharge, deux clignotements et une répétition indiquent que le moteur est ouvert. Réinitialisez en appuyant sur le bouton Marche/Arrêt.

Un clignotement et une répétition indiquent une surcharge.

Deux clignotements et une répétition indiquent que le moteur est ouvert. Réinitialisez en appuyant sur le bouton Marche/Arrêt.

Trop-plein de glace dû à l'altitude

Les machines à glaçons installées à une altitude supérieure à 6 000 pieds (1 800 mètres) au-dessus du niveau de la mer nécessitent un réglage d'altitude afin que le thermostat de bac maintienne le niveau de glace approprié. La vis de réglage d'altitude est située à l'intérieur du thermostat de bac. Elle est accessible par l'ouverture située juste devant les bornes de connexion.

Instructions de réglage d'altitude

1. Déconnecter l'alimentation électrique ou débrancher la machine.
2. Retirer le panneau d'accès avant.
3. Localiser et retirer le thermostat de bac en enlevant les deux vis qui le fixent à la machine.
4. À l'intérieur du thermostat de bac, repérer la vis interne de réglage d'altitude.
5. À l'aide d'une clé hexagonale en L de 1/16 po (1,6 mm), placer la clé en position 12 heures pour commencer.
6. En se référant au tableau ci-dessous, tourner la clé dans le sens antihoraire (vers la gauche) jusqu'à l'altitude souhaitée.
7. Une fois le réglage effectué en fonction de l'altitude du lieu d'installation, réinstaller le thermostat de bac dans sa position d'origine.
8. Replacer le panneau d'accès inférieur, rétablir l'alimentation électrique, puis remettre la machine en marche pour reprendre la production de glace.
9. À l'aide d'un glaçon, vérifier le bon fonctionnement du thermostat de bac après le réglage.

Pieds / Mètres au-dessus du niveau de la mer	Rotation antihoraire à partir de la position 12 heures
6000 ft. / 1800 m	9:45
8000 ft. / 2400 m	9:00
10,000 ft. / 3000 m	8:00

Faites appel à un technicien qualifié connaissant le réfrigérant R290 pour la mise hors service, car des outils et des conteneurs spéciaux sont nécessaires pour le retrait, le transport et l'élimination du propane hautement inflammable.

Il est recommandé d'utiliser de bonnes pratiques d'exploitation afin de maintenir la sécurité et de se conformer aux directives locales, étatiques et fédérales pour une élimination appropriée du produit.

- Assurez-vous que tous les outils et équipements mécaniques nécessaires sont disponibles avant de commencer la procédure.
- Tous les équipements de protection doivent être utilisés à tout moment et vous devez avoir des équipements et des bouteilles de récupération à portée de main.
- Tous les conteneurs utilisés pour la récupération doivent avoir des étiquettes appropriées indiquant qu'ils peuvent être utilisés pour le réfrigérant R290.
- Placez les réfrigérants sur une balance avant de commencer la récupération du réfrigérant. Ne remplissez pas les conteneurs plus de 80 % de leur volume et ne dépassez pas la pression de service du conteneur.
- Avant d'utiliser la machine de récupération, assurez-vous qu'elle soit en bon état de fonctionnement et que les composants électriques soient correctement scellés afin d'éviter tout type d'inflammation.
- Le réfrigérant récupéré ne doit pas être chargé dans un autre système de réfrigération ni mélangé dans un autre conteneur.
- Lorsque vous déplacez du réfrigérant depuis un système, appliquez les bonnes pratiques ; tous les réfrigérants doivent être retirés en toute sécurité.
- Tout le réfrigérant récupéré doit être retourné au fournisseur de réfrigérant afin qu'il procède à une élimination appropriée.
- Si le compresseur ou les huiles de compresseur sont éliminés, assurez-vous qu'ils soient éliminés correctement afin que le réfrigérant inflammable ne reste pas dans le lubrifiant.

Scotsman®

The Ideal Ice®

Manual de instalación y del usuario
de la máquina de hielo en nuggets
residencial

Modelo SRN110



Brilliance™

 ADVERTENCIA	
<p>El refrigerante R290 es inflamable. Las llamas pueden causar quemaduras o daños a la propiedad Mantenga alejado de las fuentes de fuego</p>	

Información de seguridad importante. Asegúrese de leer completamente para evitar lesiones graves o la muerte.



- Esta máquina de hielo contiene refrigerante **INFLAMABLE** y presenta riesgo de incendio o explosión. No use cigarrillos, vaporizadores, teléfonos celulares, cerca de tuberías o cables, ya que puede ser una fuente de ignición o chispas.



- La máquina de hielo no se debe instalar junto a equipos con fuentes de ignición abiertas (como llamas abiertas, un artefacto a gas en funcionamiento o un calentador eléctrico).



- No almacene sustancias explosivas como latas de aerosol con un propulsor inflamable en este aparato.



- **ADVERTENCIA:** Para reducir los riesgos de inflamabilidad, la instalación de este aparato sólo debe ser realizada por una persona debidamente calificada.



- Tome precauciones y no instale cerca de nada que vibre continuamente, para evitar las vibraciones o pulsaciones excesivas.



- Asegúrese de instalarla en un entorno bien ventilado y de que las ventilaciones y salidas no estén obstruidas.





- Fije correctamente el cableado eléctrico de modo que no esté sometido a desgaste ni vibraciones.

- Mantenga un extintor de incendios a la mano en caso de emergencias.



- **ADVERTENCIA:** Cáncer y daños reproductivos. Visite www.P65Warnings.ca.gov para conocer detalles.
- Use un técnico recomendado por Scotsman, certificado para reparar equipos R290.
- SOLO use piezas de servicio de la fábrica de Scotsman El uso de piezas que no sean de OEM puede ser peligroso debido a los cambios de diseño necesarios para usar R290 de manera segura.

 Precaución	<p>No desenchufe ni desconecte la energía hacia la máquina de hacer hielo sin cerrar el suministro de agua. Nota: Esta máquina de hacer hielo debería estar en su propio circuito dedicado sin otros artefactos o dispositivos.</p>
	

SRN110
Manual del usuario
Introducción

Este manual incluye información para la instalación, operación y mantenimiento de la máquina de hielo residencial SRN110.

La SRN110 se desarrolló para ofrecer a los fanáticos del hielo tipo nugget de Scotsman la capacidad de tener ese hielo en sus hogares. Previamente, el hielo tipo nugget solo estaba disponible en establecimientos comerciales, donde desarrolló un fuerte grupo de seguidores debido a la naturaleza masticable del hielo. Esta máquina hace hielo tipo nugget auténtico, con el mismo proceso que las máquinas comerciales más grandes.

Contenido

Introducción	Page 1
Descripción del producto:	Page 2
Dimensiones del gabinete	Page 3
Recomendaciones de ubicación:.....	Page 4
Características decorativas:	Page 5
Accesorio de panel de puerta.....	Page 6
Oscilación de la puerta	Page 7
Plomería - Modelo con bomba	Page 8
Plomería: Modelo de drenaje por gravedad	Page 9
Aspectos eléctricos y arranque	Page 10
Uso	Page 11
Mantenimiento	Page 12
Cómo eliminar el sarro del sistema de producción de hielo.....	Page 13
Qué hacer antes de llamar al servicio técnico.....	Page 16
Retirada de servicio.....	Page 17

Aviso de uso en exteriores:

Evite la congelación. Ocurrirán daños graves a la unidad si se deja o se opera en temperaturas más allá de los límites indicados en este manual. Esos daños NO están cubiertos por la garantía.

Mantenga la unidad seca. No la coloque en áreas bajas donde se acumulen pozas.

Proporcione sombra: El aumento del calor proveniente del sol reducirá la capacidad de la unidad para hacer y almacenar el hielo, y la radiación ultravioleta del sol puede dañar potencialmente los componentes de plástico de la unidad.

Suministro de agua: Evite que los tramos largos de manguera o tubería queden expuestos al sol. El tubo de suministro de agua de plástico debe estar clasificado para agua potable e incluir protección contra los rayos UV. Se recomiendan los tubos de cobre.

Prevención de contraflujo: La unidad incluye prevención de contraflujo, no se necesitan válvulas de retención adicionales.

Drenaje: No drene en piscinas o en el suelo.

SRN110

Manual del usuario Descripción del producto

Esta máquina de hielo está diseñada para usarla en interiores, en un entorno controlado, o en exteriores, dentro de ciertos límites.

La SRN110 está compuesta de dos sistemas principales: el sistema de producción de hielo y el sistema de almacenamiento de hielo. El sistema de producción de hielo es una máquina de hielo de flujo continuo, produce hielo cuando el nivel de hielo es bajo y se detiene cuando está lleno.

El sistema de almacenamiento de hielo es un cofre con aislamiento con un drenaje en la parte inferior para el hielo que se derrite. No es refrigerado, lo que asegura que el recipiente contenga hielo fresco.

Información de instalación

Dimensiones:

El gabinete es de 38 cm (14-7/8") de ancho por 85 cm (33-3/8") a 87 cm (34-3/8") de alto.

Requisitos operativos y de servicios públicos

- La SRN110 se debe conectar a un suministro de agua potable.
- El suministro de agua debe tener una conductividad de, al menos, 10 $\mu\text{S}/\text{cm}$.
- Presión mínima del agua: 1,38 bar (20 psi)
- Presión máxima del agua: 5,52 bar (80 psi)
- Temperatura mínima del agua: 4 °C (40 °F)
- Temperatura máxima del agua: 32 °C (90 °F)

Está diseñada para funcionar en una amplia gama de temperaturas del aire:

- Temperatura mínima del aire: 10 °C (50 °F)
- Temperatura máxima del aire: 38 °C (100 °F)

Aunque la máquina funcionará dentro de los rangos indicados, funcionará mejor a temperaturas del agua entre 10 y 16 °C (50 y 60 °F) y temperaturas del aire entre 16 y 27 °C (60 y 80 °F).

Nota: La capacidad de producción de hielo disminuye a medida que suben las temperaturas ambientales, y se verá drásticamente reducida con temperaturas sobre 32 °C (90 °F).

Operar una unidad fuera de los límites puede causar problemas no cubiertos por la garantía y, si es extremo, causar daños a la unidad.

Calidad del agua

El agua hacia la máquina debe ser potable o apta para consumo humano. Más allá de eso, los suministros de agua varían en el grado de contenido de minerales. Mientras la máquina de hielo produce hielo, toda el agua que fluye hacia la máquina se convierte en hielo. Esto incluye cualquier mineral que pueda haber en el agua. Sin embargo, durante la producción de hielo, algunos minerales se adherirán a los componentes de la producción de hielo. Mientras más alto el contenido de minerales, más acumulación de minerales ocurrirá.

Los filtros de agua son una ayuda parcial, ya que eliminan los sólidos suspendidos, pero se necesitará tratamiento de agua para los sólidos disueltos, los que son parte del agua y no se pueden filtrar.

Agua obtenida por ósmosis inversa

A esta máquina se puede suministrar agua obtenida por ósmosis inversa (RO, por sus siglas en inglés), pero la conductividad no debe ser menor que 10 $\mu\text{S}/\text{cm}$. Un sistema de ósmosis inversa debe incluir postratamiento o mezcla para resolver la potencial agresividad del agua de ósmosis inversa.

No se recomienda agua desionizada, ya que podría dañar la máquina.

Debido a que los ablandadores de agua intercambian un mineral por otro, es posible que el agua ablandada no mejore las condiciones de agua cuando se usa en máquinas de hielo.

Potencia eléctrica

La unidad debe estar en su propio circuito de 115 voltios, 60 Hz, 15 A. La unidad está equipada con un cable de alimentación, pero solo se debe enchufar en un circuito dedicado para la máquina de hielo. La unidad debe ser el único dispositivo en el circuito; alimentado directamente desde el panel de disyuntores.

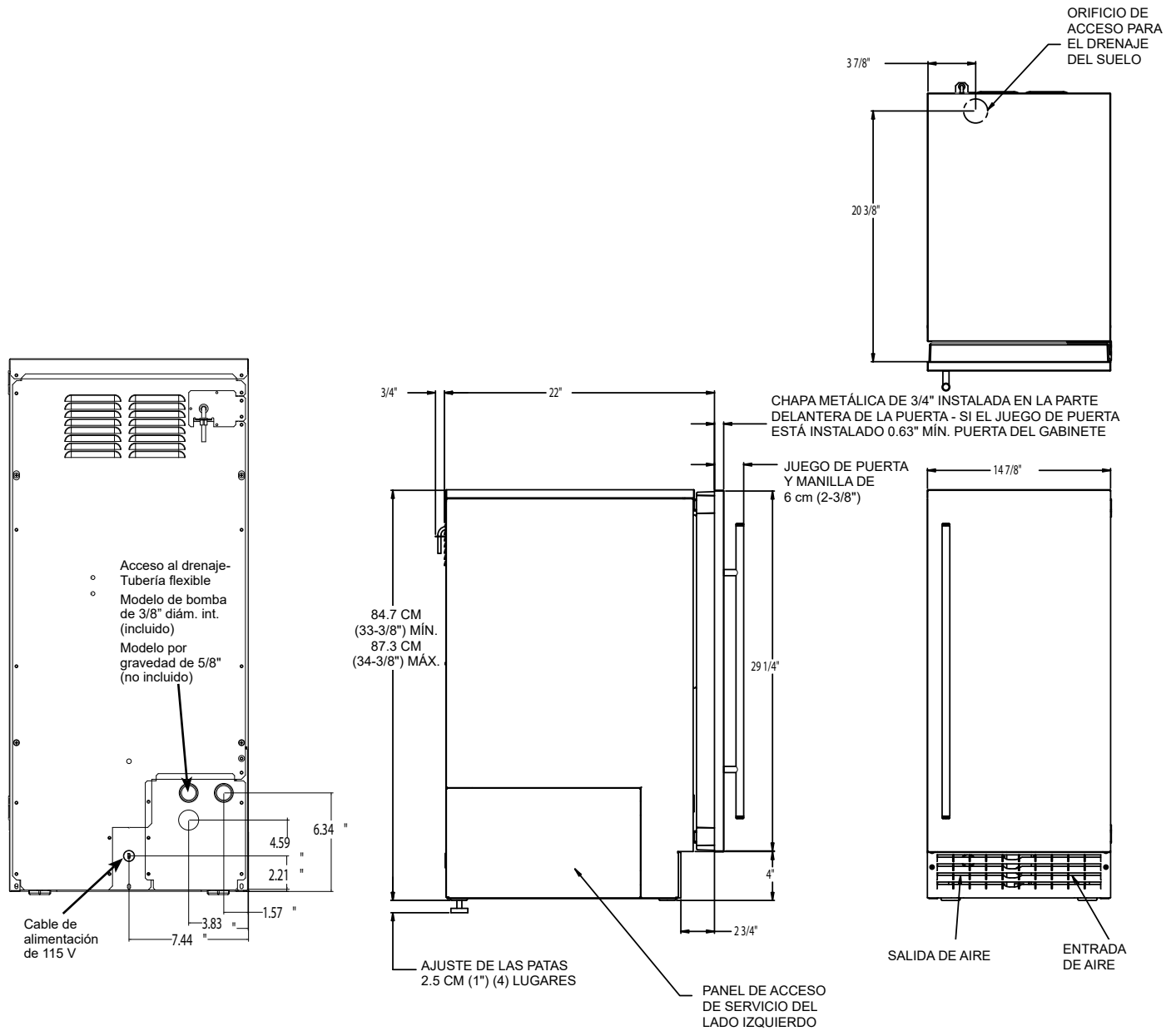
Confirme que el tomacorriente esté correctamente conectado a tierra y esté en buenas condiciones. Los tomacorrientes desgastados se deben reemplazar, ya que pueden causar el funcionamiento errático del equipo. No use un cable de extensión.

Información de garantía

La información de garantía se suministra separada de este manual. Consúltela para ver la cobertura. En general, la garantía cubre defectos en materiales o mano de obra y no cubre correcciones de errores de instalación o mantenimiento. Complete el Registro de garantía utilizando la garantía y enviándolo por correo o escanee el código QR anterior para acceder al sitio web de garantía de Scotsman.



SRN110
Manual del usuario
Dimensiones del gabinete



Los sistemas de fabricación de hielo de Scotsman están diseñados y fabricados con las más altas consideraciones de seguridad y rendimiento. Ellos cumplen o exceden los estándares de UL60335-2-24.

Scotsman no asume responsabilidad de ningún tipo por productos fabricados por Scotsman que han sido alterados de cualquier manera, en que se incluye el uso de piezas u otros componentes que no estén específicamente aprobados por Scotsman.

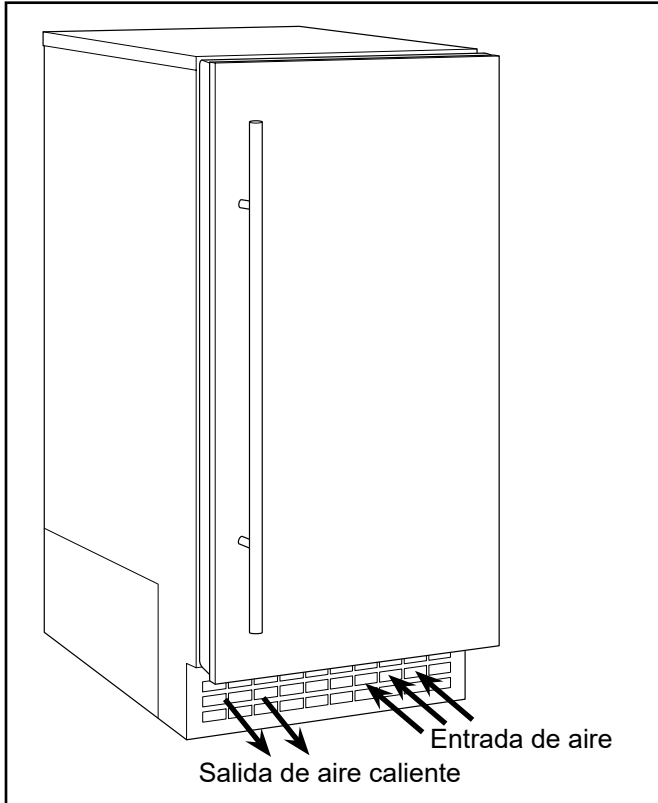
Scotsman se reserva el derecho a realizar mejoras o cambios en el diseño en cualquier momento. Las especificaciones y los diseños están sujetos a cambios sin previo aviso.

SRN110

Manual del usuario

Recomendaciones de ubicación

La máquina se puede empotrar en un gabinete. Es un sistema de refrigeración enfriado por aire y, por lo tanto, el aire fluye hacia dentro y hacia fuera a través de la rejilla en la parte inferior delantera. La rejilla no debe estar obstruida con una puerta u otra obstrucción.



Hay dos modelos, uno es de tipo de drenaje por gravedad y debe tener una conexión al drenaje del inmueble bajo el nivel del tubo de drenaje en la parte posterior del gabinete; el otro es un modelo de drenaje con bomba que puede forzar el drenaje de agua a hasta un máximo de 3 m (10 pies), lo que permite ubicarlo donde no hay un drenaje por gravedad disponible.

Extensión de placa de protección: En algunas situaciones, los niveladores de patas estarán extendidos lo suficiente para ser visibles.

El juego para extender la placa de protección sobre las patas es KKPF. **Estabilidad del gabinete:** En algunas instalaciones autónomas, puede ser prudente agregar un soporte que fije la parte posterior del gabinete a una pared. El número de ese juego es KATB.

Conversión del drenaje: Un modelo de drenaje por gravedad se puede convertir en un modelo de bomba de drenaje con la instalación de un juego de bomba de drenaje. El juego de bomba de drenaje consta de una bomba de drenaje, cableado y tubos asociados. El número de pieza es KPMP.

Notas de instalación

Situaciones de empotramiento: Si se instalará un piso terminado en el área después de que se ha empotrado la máquina de hielo, se deben instalar cuñas del grosor esperado del piso bajo la unidad para mantener la máquina nivelada con el nivel del piso planificado.

Nota: La conexión del agua está en la parte posterior y suma algunos centímetros a la profundidad del gabinete.

Instalaciones en una losa: Use un modelo con bomba y bombee el agua hasta el punto de drenaje. Los modelos con bomba bombearán una altura de 1 piso (3 m [10 pies]).

Instalaciones sobre un semisótano o sótano:

Se pueden usar unidades con drenaje por gravedad o con bomba; si no hay suficiente espacio detrás de la máquina para un drenaje/receptáculo de desechos, el drenaje deberá estar bajo el piso.

Nota: Cuando se instale en una esquina, se puede limitar el giro de la puerta debido al contacto de la manilla con la pared o la superficie del gabinete.

Todos los modelos requieren un suministro de agua. Los suministros de agua varían en el grado de contenido de minerales. El agua con mayor contenido de minerales exigirá mantenimiento más frecuente. La filtración de agua puede mejorar el sabor del hielo, además de reducir parte de la acumulación de minerales.

Modelos:

- SRNP110A-1SU – Bomba, puerta sin acabado
- SRNG110A-1SU – Gravedad, puerta sin acabado
- SRNP110A-1SS – Bomba, puerta con acabado de acero inoxidable
- SRNG110A-1SS – Gravedad, puerta con acabado de acero inoxidable

SRN110

Manual del usuario

Características decorativas

Panel de puerta

La máquina de hielo viene con una cubierta de puerta convencional, de modo que se puede decorar según la preferencia del usuario. Scotsman ofrece una cubierta de acero inoxidable. Además, se puede colocar un panel personalizado en la puerta.

Paneles de puerta: Los paneles de puerta acabados están disponibles en Scotsman para colocarlos en la máquina, o se puede hacer un panel personalizado. Los juegos de paneles son:

Número de juego	Acabado del panel	Acabado de la manilla
KDFS	Acero inoxidable	Acero inoxidable

Accesorio de panel de puerta

Para instalar un panel suministrado por Scotsman:

Nota: Si se cambiará la oscilación de la puerta, se debe hacer antes de colocar el panel.

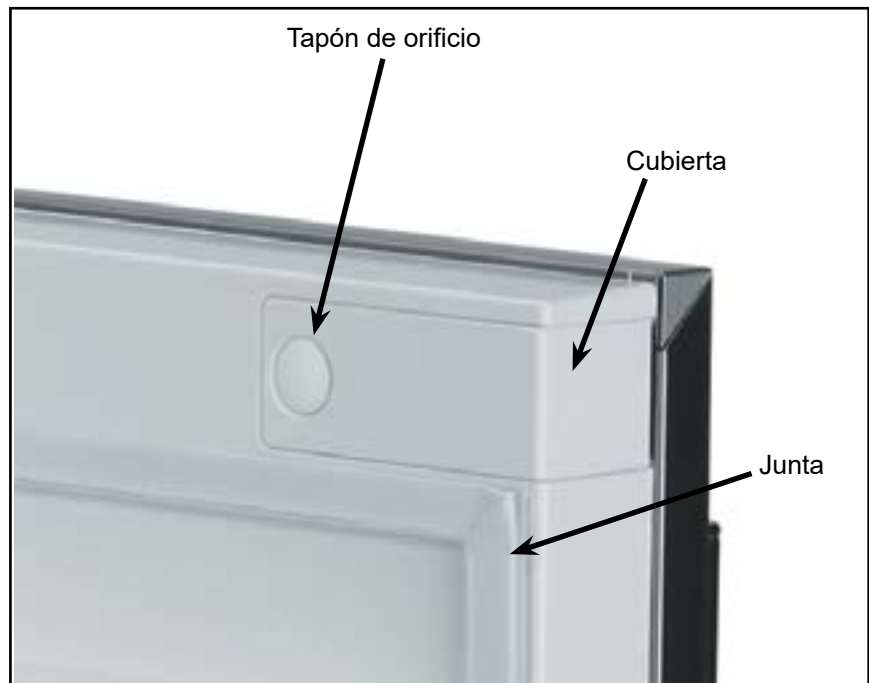
El panel se afirmará con 6 tornillos de chapa metálica y 2 tornillos maquinados.

1. Retire la junta y guárdela para usarla después.
2. Si el panel de la puerta es de acero inoxidable, retire e plástico que cubre el panel de acero inoxidable.
3. Coloque el panel en el exterior de la puerta, y fíjelo a la puerta con dos tornillos maquinados, ubicados en el centro a la izquierda y a la derecha.
4. Fije el panel a la puerta con los 6 tornillos de chapa metálica. En el área de la bisagra, use los orificios para tornillo más exteriores.
5. Coloque las cubiertas sobre las áreas de las bisagras, y fije cada cubierta a la puerta con un tornillo de chapa metálica.
6. Inserte el tapón de orificio sobre el tornillo instalados en el paso 5.
7. Regrese la junta a su posición original.

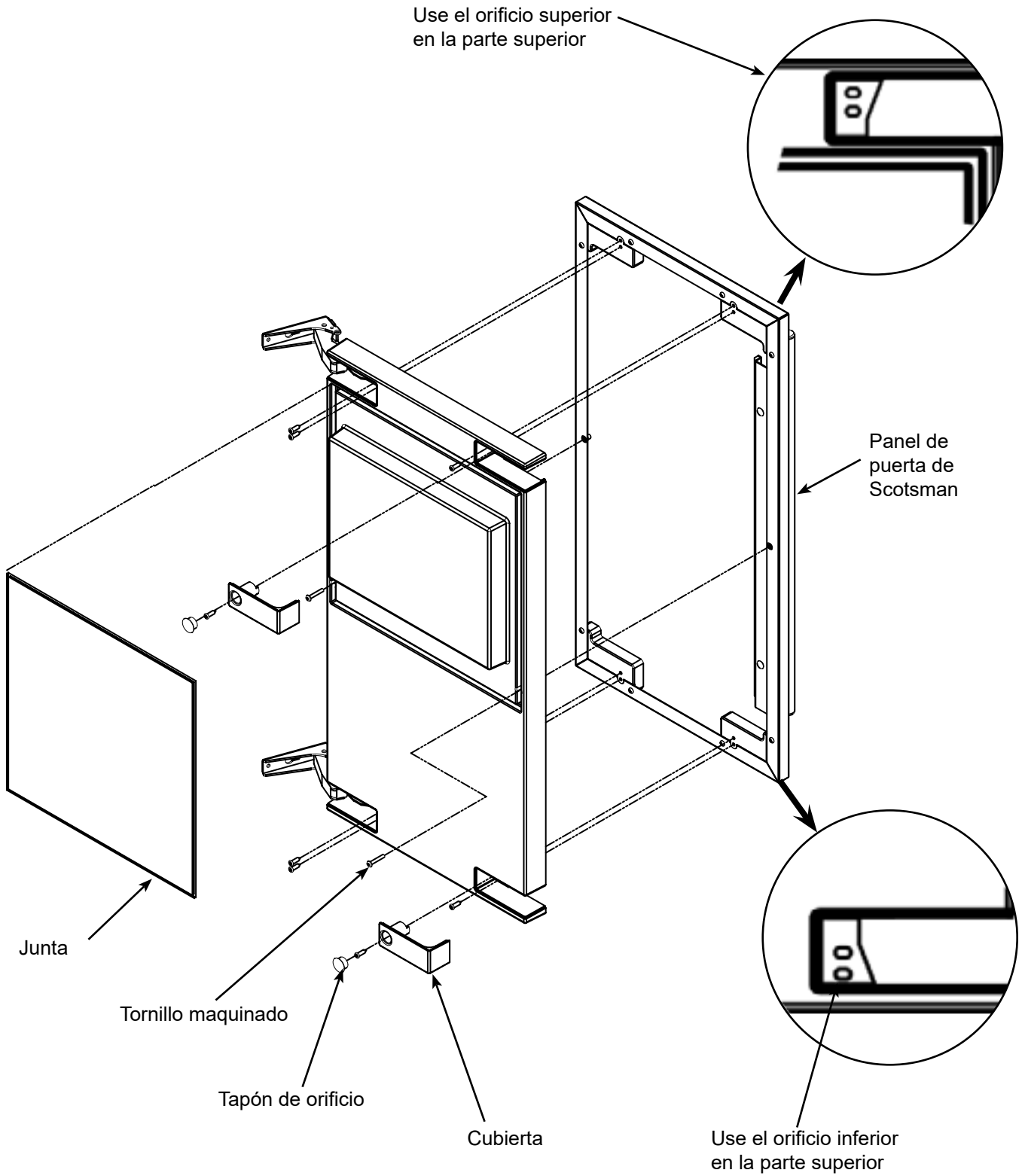
Panel personalizado

Se puede fijar a la puerta un panel de madera personalizado o de otro material que no supere los 6.8 kg (15 lb). Se fija desde el lado del hielo de la puerta. Se proporcionan orificios en la puerta para este fin.

Consulte las instrucciones en el paquete de información para crear y fijar un panel personalizado



SRN110
Manual del usuario
Accesorio de panel de puerta



SRN110

Manual del usuario

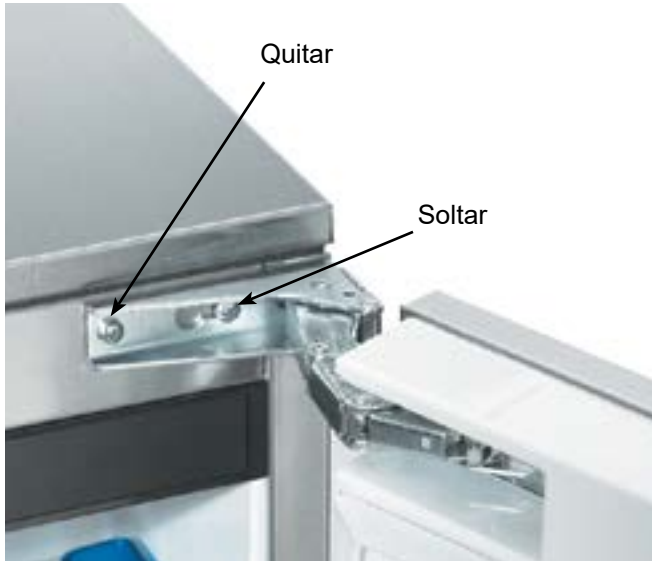
Oscilación de la puerta

Nota: Los modelos anteriores tenían soportes de bisagra separados y distintas direcciones para cambiar la oscilación.

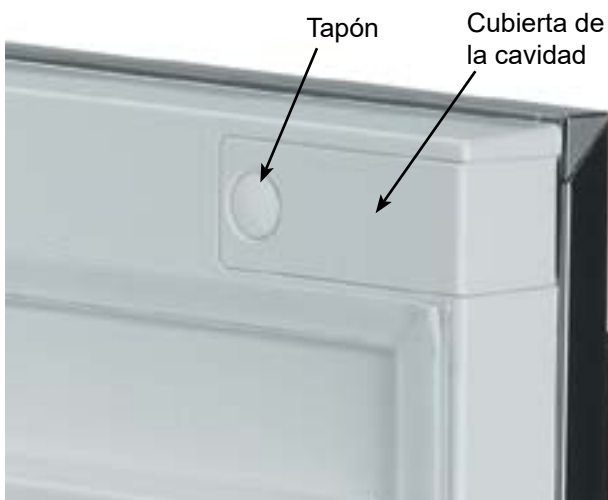
Mover las bisagras permite que la puerta se abra del lado izquierdo o derecho. Cambie la oscilación antes de instalar el panel de la puerta.

Para cambiar:

1. Retire el tornillo más interno que afirma cada bisagra al gabinete, y suelte el otro.



2. Deslice la puerta hacia el lado y sáquela del gabinete.



3. Retire el tapón y las cubiertas de la cavidad de la bisagra de la puerta.
-

Nota: Hay tapones o tornillos en los orificios donde se montarán las bisagras. Se deben mover.

4. Retire los tapones de los orificios o los tornillos de las ubicaciones de la nueva bisagra; déjelos a un lado.
 5. Mueva los tornillos que se soltaron en el paso 1 a la ubicación opuesta.
 6. Instale los nuevos tornillos o tapones que se retiraron en el paso 4 a la ubicación de la bisagra original de la unidad para rellenar los orificios.
 7. Retire la bisagra superior de la puerta y muévala a la ubicación inferior del lado opuesto de la puerta. Fíjela con los tornillos originales.
-

Nota: Si el panel de la puerta está instalado, se debe retirar para acceder a los tornillos de la bisagra e invertir la posición de la manilla.

8. Retire la bisagra inferior original y muévala a la ubicación superior del lado opuesto de la puerta. Fíjela con los tornillos originales.
9. Instale las cubiertas de las cavidades y los tapones de orificios en la puerta.
10. Instale la puerta en el gabinete con los tornillos originales.

SRN110

Manual del usuario

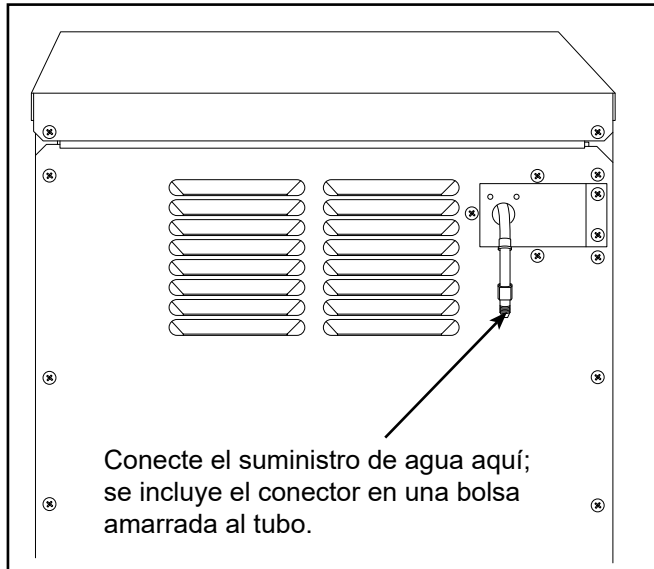
Plomería - Modelo con bomba

Suministro de agua

El tubo recomendado para el suministro de agua es de cobre de 1/4 pulgada de diámetro exterior (OD). También se puede utilizar tubo flexible de acero inoxidable o tubo de PVC reforzado. El instalador debe conectar estas líneas al suministro de agua y al sistema de desagüe del edificio. Todas las secciones horizontales de las líneas de desagüe deben tener una pendiente de 1/4" por pie. Probablemente se requiera una separación de aire (air gap) entre el tubo de desagüe de la máquina de hielo y el receptáculo de desagüe/aguas residuales.

La conexión de agua está en la parte posterior del gabinete.

Conecte con un conector de compresión, se suministra uno amarrado en el tubo de entrada de agua en la



parte posterior del gabinete. Cuando se empotra: Enrolle suficiente tubo detrás de la máquina, de modo que se pueda empujar hacia la cavidad sin torcer el tubo.

Nota: Se recomienda purgar las tuberías de suministro de agua antes de conectarlas a la máquina de hielo. Esto purgará los sedimentos de la tubería y evitará las restricciones de flujo de agua.

Drenajes

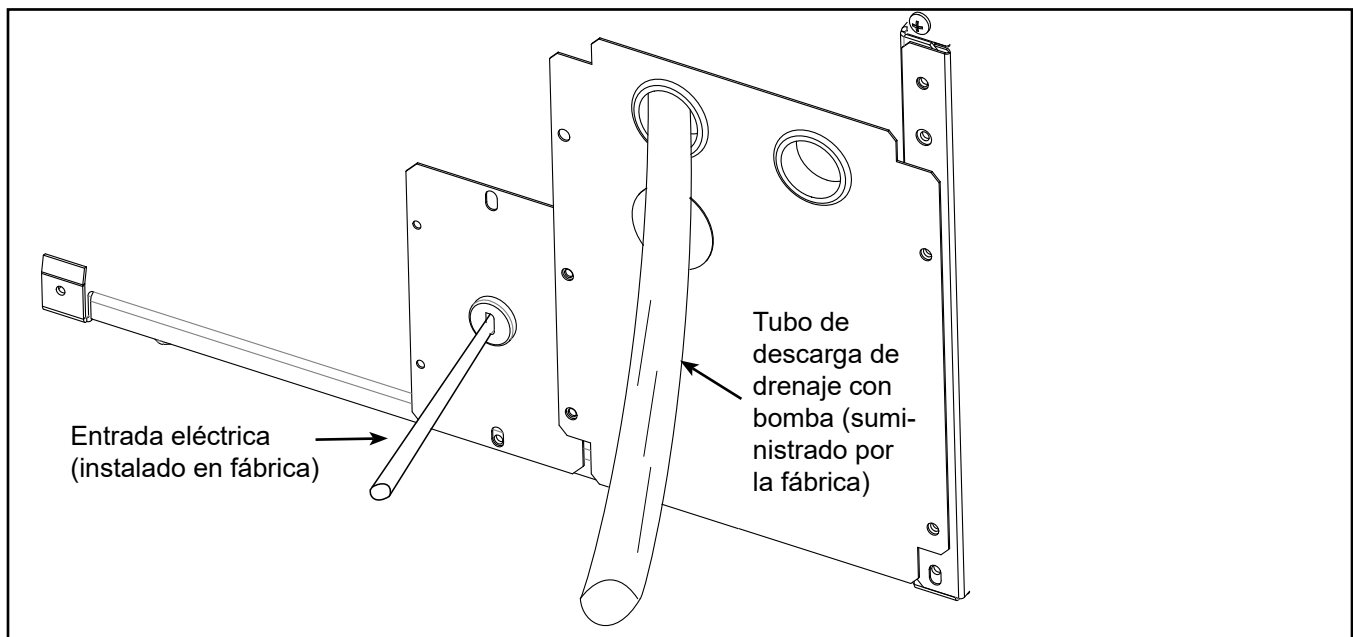
Hay dos tipos de modelos de máquinas de hielo, uno que drena por gravedad y otro que tiene una bomba de drenaje interna.

Instalación del drenaje del modelo con bomba de drenaje

1. Dirija el tubo de drenaje de plástico desde la parte trasera de la unidad hasta el punto de conexión de drenaje.
2. Revise todas las conexiones en busca de fugas y goteos de agua y asegúrese de que las mangueras estén firmes.

El punto de conexión de drenaje puede tener una altura de hasta 3 m (10 pies) sobre la máquina de hielo. La bomba de drenaje incluye una válvula de retención para evitar volver a bombear el agua en la manguera de drenaje.

NOTA IMPORTANTE: A menudo, los códigos locales exigen un espacio de aire entre el tubo de drenaje de la máquina de hielo y el receptáculo de drenaje.



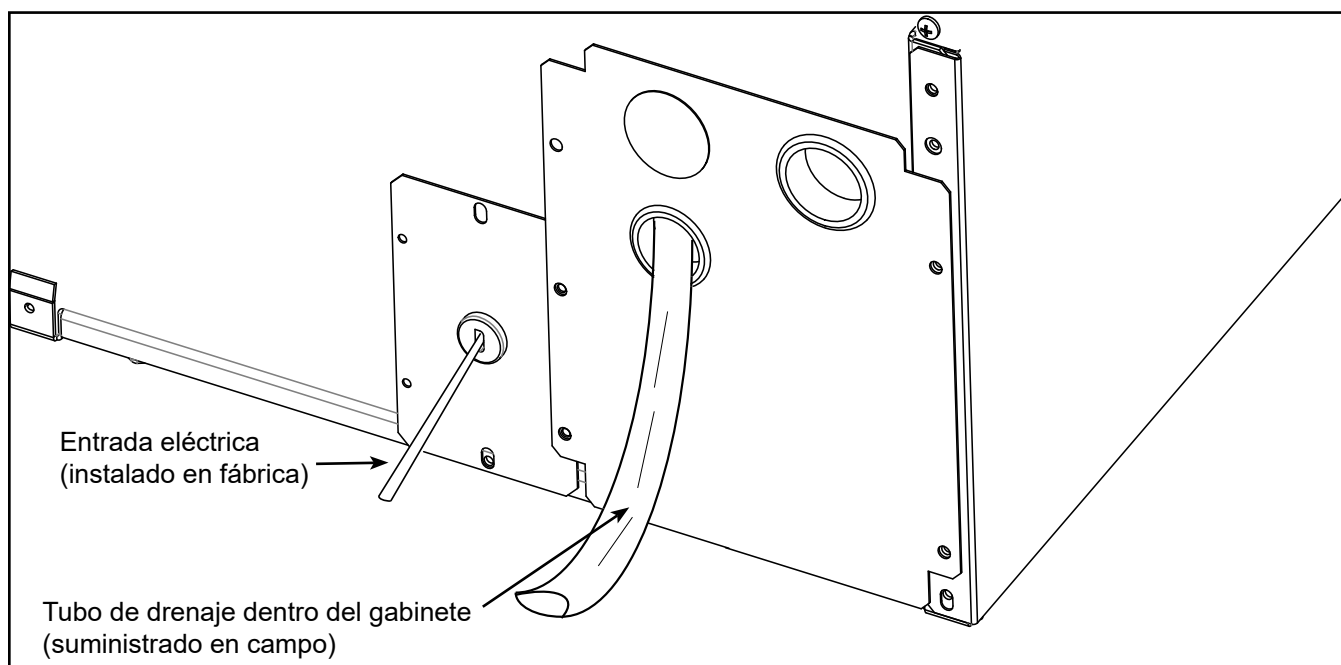
Precaución: Las restricciones en el sistema de drenaje hacia la máquina provocarán que el agua se devuelva al recipiente de almacenamiento de hielo y derrita el hielo. El tubo de drenaje por gravedad debe tener ventilación, no debe tener torceduras y debe estar inclinado hacia el drenaje del edificio. Generalmente el código local exige espacios de aire.

1. Coloque la máquina de hielo frente a la abertura de instalación. Ajuste las patas de nivelación a la altura aproximada.
2. Inserte el tubo de drenaje a través del orificio de enrutamiento en el panel posterior.
3. Retire el panel superior posterior si es necesario para acceder a la conexión de drenaje.

Nota: Si conecta un modelo de drenaje por gravedad y la abertura de drenaje está en el suelo bajo la base, de acuerdo con las especificaciones previas a la instalación, siga los pasos 4 al 7a para drenar la unidad a través de la base. De no ser así, continúe con el paso 7b.

4. Retire la abrazadera y el codo dentado y saque la cubierta de plástico en la bandeja de la base, bajo la manguera de drenaje.
5. Conecte un conector dentado recto de 5/8" a la manguera de drenaje y fíjelo con la abrazadera de manguera que se incluye.

6. Corte un trozo de 20 cm (8") de tubo Tygon (plástico transparente) de 5/8" D.I. X 7/8" D.E. Deslice un extremo del tubo en la salida del conector dentado y fíjelo con una abrazadera. Deje el otro extremo del tubo en el fondo de la bandeja de base hasta que la unidad se coloque sobre el drenaje del suelo.
7. Dirija el tubo de drenaje. Puede a) Insertar el tubo de drenaje a través de la bandeja de base hacia el drenaje del suelo, o bien, b) Dirigir el tubo de drenaje a través del orificio en el panel inferior posterior, conectarlo al codo dentado y fijarlo con una abrazadera. Revise todas las conexiones en busca de fugas y goteos de agua y asegúrese de que las mangueras estén firmes.
8. Vuelva a instalar los paneles que se retiraron para conectar el drenaje.



SRN110

Manual del usuario

Aspectos eléctricos y arranque

La máquina de hielo incluye un cable de alimentación. No retire la clavija de conexión a tierra del enchufe del cable.

No use cables de extensión. Siga todos los códigos.

Conecte la máquina a un circuito dedicado de 115 voltios, 15 amperios.

1. Si el tomacorriente eléctrico para la máquina de hielo está detrás de la unidad, enchufe la unidad.
2. Coloque la unidad en la abertura de instalación.
3. Después de purgar el suministro de agua, abra el suministro de agua. Asegúrese de que la máquina de hielo esté enchufada y que la energía esté encendida. Verifique que no haya fugas de agua.
4. Deslice la unidad en la abertura de instalación, y preste atención a las conexiones de suministro de agua y drenaje. ¡No las tuerza!
5. Vierta un par de litros de agua en el recipiente de almacenamiento de hielo; en máquinas equipadas con bomba de drenaje, la bomba de drenaje debería arrancar y se debería bombear el agua. Revise en busca de fugas y goteos y asegúrese de que las mangueras estén firmes.
6. Vuelva a colocar el panel de acceso de servicio.
7. Nivele la unidad según sea necesario.

Lista de revisión de instalación:

1. ¿Se conectó la unidad al suministro de agua correcto?
2. ¿Se revisó si el suministro de agua tiene fugas?
3. ¿Se conectó la unidad a un drenaje?
4. ¿Se probó el flujo del drenaje y si tiene fugas?
5. ¿Se conectó la unidad al suministro eléctrico correcto?
6. ¿Está nivelada la unidad?
7. ¿Se retiró todo el material de empaque de la máquina?
8. ¿Se instaló la cubierta de la puerta?

Encendido inicial

1. Abra el suministro de agua y revise si hay fugas.
2. Encienda la energía eléctrica.
3. Presione y suelte el interruptor de encendido/apagado para arrancar la máquina. La luz Making Ice (Producción de hielo) junto al interruptor de encendido/apagado brillará de color verde. Saldrá aire caliente por la rejilla delantera izquierda.

Tomará aproximadamente 10 minutos que la máquina de hielo comience a soltar el hielo tipo nugget en el recipiente de almacenamiento. Es normal que el hielo se derrita y se seguirá derritiendo, pero con menos velocidad. Tomará aproximadamente 6 a 7 horas llenar el recipiente de almacenamiento de hielo. El recipiente contiene aproximadamente 9 kg (20 lb) de hielo cuando está lleno.

Control de nivel de hielo

El control de nivel de hielo de la SRN110 es un sensor ultrasónico, ubicado sobre el área de almacenamiento de hielo. Es automático y no necesita ajustes. Cuando se derrite o se usa el hielo, y el nivel de hielo cae por debajo de una distancia predeterminada, el control vuelve a encender el sistema de producción de hielo. Produce hielo hasta que se alcanza el nivel predeterminado. Colocar su mano en la unidad para retirar el hielo no afecta el nivel del hielo.

SRN110

Manual del usuario

Uso

No se necesitan instrucciones especiales para usar. Solo tome la cantidad de hielo que necesite, y la máquina lo reemplazará. Se incluye un cucharón y se puede almacenar en la máquina con el bucle de tubo en el costado derecho como un soporte.

Para apagar la máquina en cualquier momento, solo presione y suelte el botón de encendido/apagado.

¿Qué no se debería hacer?

Nunca guarde nada en el recipiente de almacenamiento de hielo que no sea hielo. Objetos como botellas de vino o cerveza no son solo antihigiénicas, sino que las etiquetas se pueden despegar y tapar el drenaje.

Nunca deje que la máquina funcione sin una limpieza regular. La máquina durará más si se mantiene limpia. La limpieza regular se debe hacer una vez por año, y preferentemente, dos veces por año. Algunas condiciones del agua dictarán la limpieza más frecuente de la sección de producción de hielo, y tener alfombras o mascotas dictarán una limpieza más frecuente del condensador.


Nota: La luz Time to Clean (Tiempo de limpiar) se encenderá después de 6 meses de uso. Permanecerá encendida hasta que se limpie el sistema de producción de hielo con el proceso de la página 13.

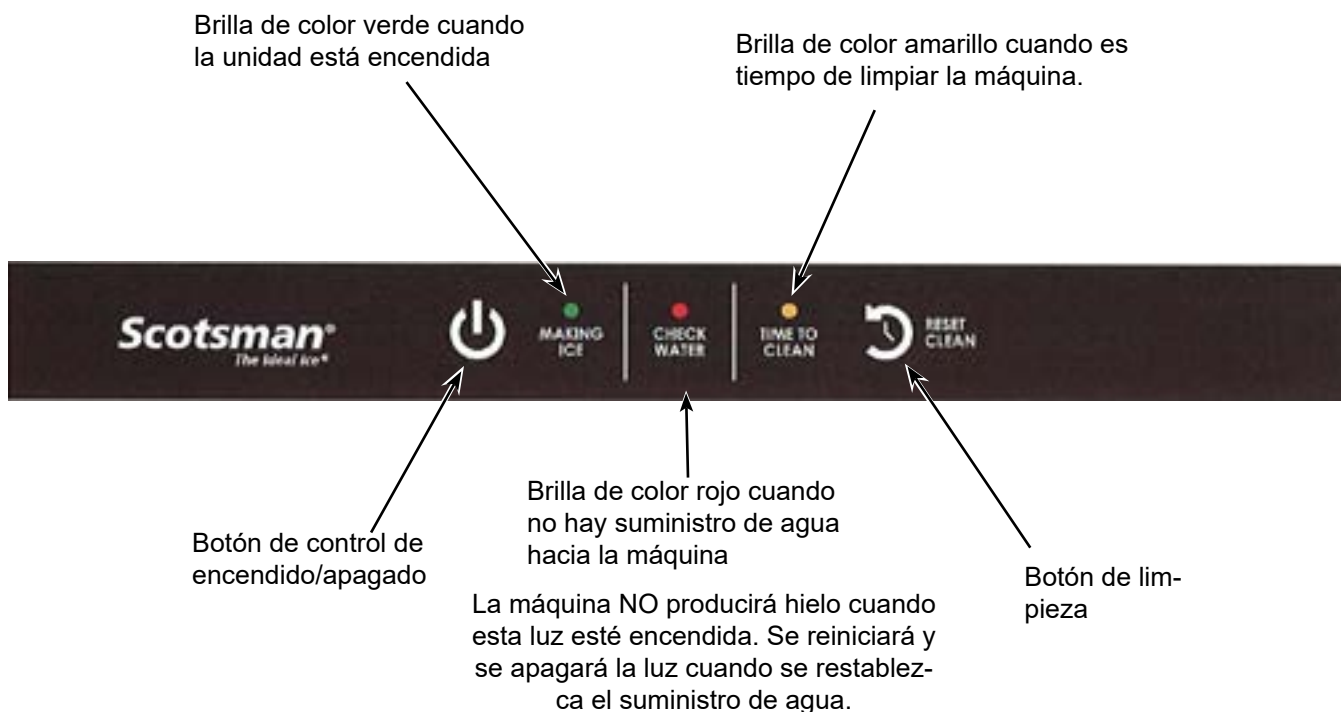
Ruido:

La máquina de hielo está diseñada para un funcionamiento silencioso, pero hará algo de ruido durante el ciclo de producción de hielo.

Producción de hielo

Durante la producción de hielo, el hielo tipo nugget caerá en el recipiente a un ritmo irregular; a veces puede caer poco hielo, mientras que, otras veces, caerá un grupo de nuggets. Algunas gotas de agua también pueden caer con el hielo. Ambas condiciones son normales.

	<p>Precaución No desenchufe ni desconecte la energía hacia la máquina de hacer hielo sin cerrar el suministro de agua.</p> <p>Nota: Esta máquina de hacer hielo debería estar en su propio circuito dedicado sin otros artefactos o dispositivos.</p>
---	---



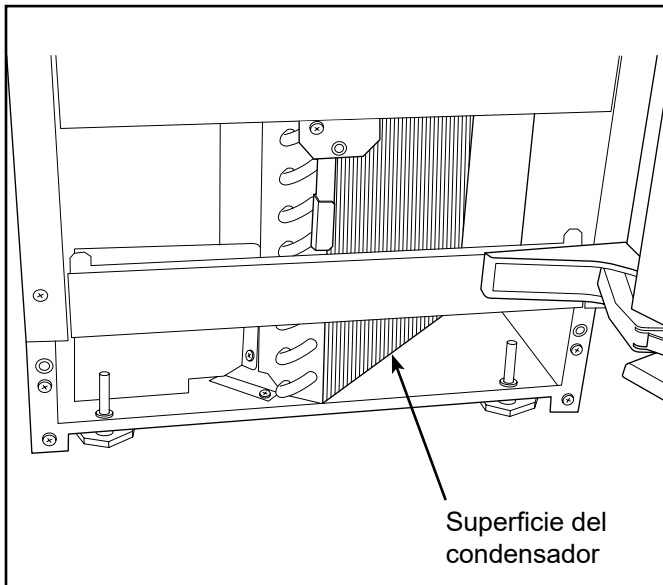
Scotsman recomienda encarecidamente el mantenimiento regular de esta máquina de hielo. Durante el funcionamiento normal, el sarro mineral que está en el suministro de agua gradualmente se acumulará en las superficies de producción de hielo. Esa acumulación puede causar una carga excesiva del sistema de producción de hielo, lo que puede causar falla prematura. La eliminación regular del sarro mineral prolongará la vida útil del producto.

Programa de mantenimiento sugerido: cada 6 meses. Tipo de mantenimiento: Eliminación de sarro, revisión de sello de agua, revisión de depósito de agua, revisión del drenaje del recipiente, limpieza del condensador enfriado por aire y desinfección del recipiente de almacenamiento.

Limpieza del condensador

El condensador es como el radiador de un automóvil, tiene aletas y tubos que se pueden tapar con suciedad y pelusas. Para limpiar:

1. Retire la placa de protección y el panel de servicio delantero.



2. Ubique la superficie del condensador.
3. Aspire la superficie para retirar todo el polvo y las pelusas.

Precaución: No abolle las aletas.

4. Regrese la placa de protección y el panel de servicio delantero a sus posiciones originales. Fíjelos al gabinete con los tornillos originales.

Preparación para el invierno

1. Limpie el sistema de producción de hielo conforme a las instrucciones de la sección Mantenimiento.
2. Abra la puerta y presione y suelte el interruptor de encendido/apagado para apagar la máquina.
3. Cierre el suministro de agua.
4. Retire la pared posterior del recipiente de almacenamiento de hielo.
5. Retire el tapón de drenaje y drene el depósito de agua; luego vuelva a colocar el tapón en la posición original.
6. Se debería verter 1.9 L (1/2 galón) de anticongelante RV (propilenglicol) en el drenaje del recipiente de almacenamiento de hielo de los modelos con bomba de drenaje.

Nota: NO se debe usar anticongelante automotor.

7. Apague y desenchufe la máquina.

Recipiente y sistema de drenaje

Con el tiempo, se puede desarrollar una biopelícula en el interior del sistema de drenaje que puede afectar la capacidad del sistema de drenaje de evacuar el agua de drenaje. En los modelos con bomba, esto también puede causar la falla de la bomba. Esto incluye que la bomba se atasque o que funcione en seco. Los problemas de biopelícula y ciclos de la bomba finalmente provocarán una baja producción y agua estancada en el recipiente. Para asegurarse de que esto no se vuelva un problema, es posible que necesite desinfección frecuente del recipiente.

El recipiente de almacenamiento de hielo se debe desinfectar ocasionalmente. Generalmente, es conveniente desinfectar el recipiente después de limpiar el sistema de producción de hielo y el recipiente de almacenamiento está vacío. Se puede hacer una solución desinfectante mezclando 4 litros (1 galón) de agua potable limpia tibia (41 a 46 °C [105 a 115 °F]) con 47 ml (1.6 oz) de desinfectante localmente aprobado. Con un paño limpio, limpie el interior del recipiente de almacenamiento de hielo con la solución desinfectante, y vierta parte de la solución por el drenaje. Deje que se seque al aire.

SRN110

Manual del usuario

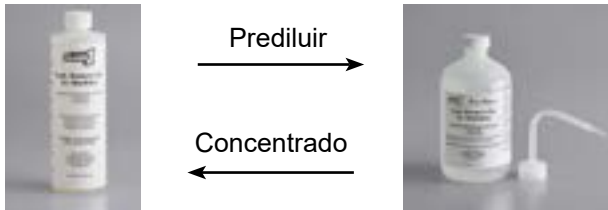
Cómo eliminar el sarro del sistema de producción de hielo

La limpieza de esta máquina implica agregar una solución de producto para quitar el sarro y agua a la máquina de hielo y seguir agregándolo mientras produce hielo. El producto para quitar el sarro se debe diluir en la proporción correcta. Una botella rociadora facilitará mucho la aplicación del producto para quitar el sarro cuando la unidad está empotrada. Si no está empotrada, retire el panel superior para acceder al depósito.

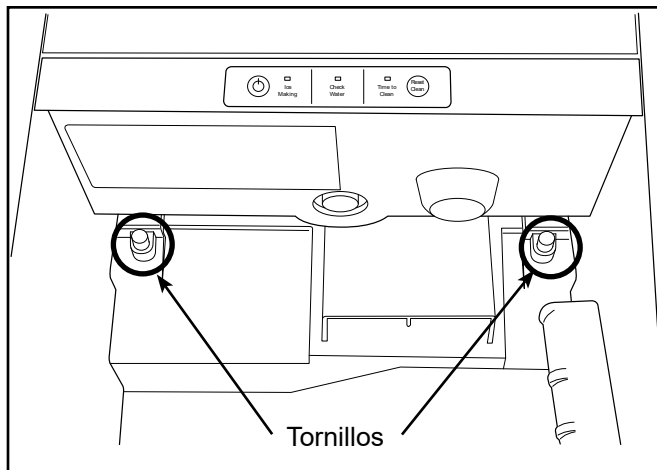
Herramientas recomendadas: Guantes de goma, botella rociadora y producto para quitar el sarro. La botella rociadora premezclada de 473 ml (16 oz) de producto para quitar el sarro tiene el número de pieza 19-0664-01. Concentrado 16 oz. El removedor de sarro es el número de pieza 19-0653-01.*

Nota: Cuando utilice un eliminador de incrustaciones concentrado, utilice una proporción de 1,25 oz. de removedor de sarro a 16 oz. de agua tibia. Se necesita una botella exprimible con un codo de 90 grados.

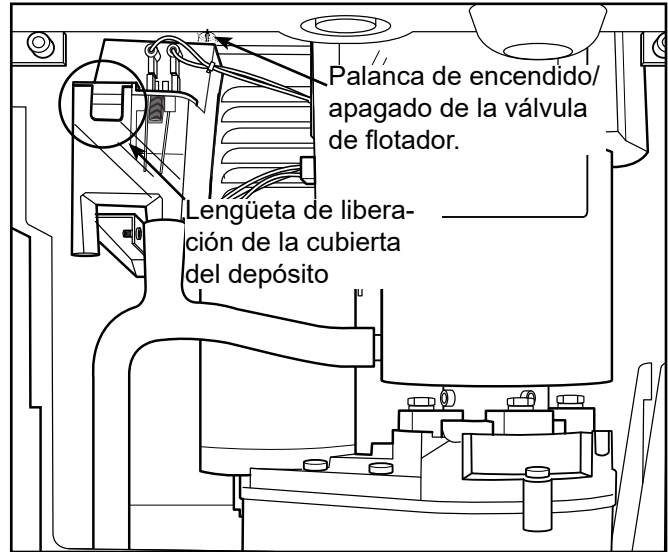
ADVERTENCIA: No utilice un eliminador de incrustaciones concentrado sin diluir, ya que puede provocar daños a la máquina.



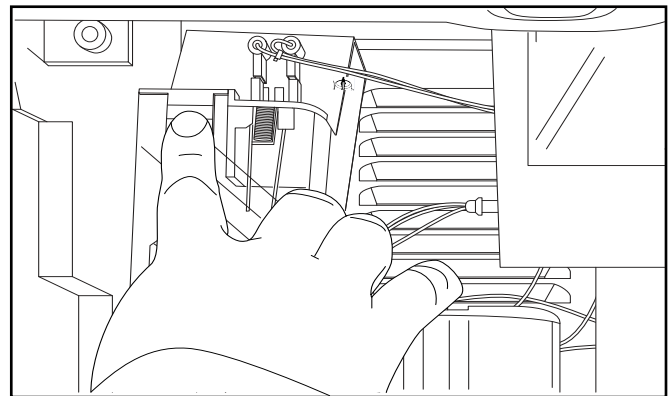
1. Con un cucharón, saque y deseche todo el hielo.
2. Presione y suelte el botón de encendido/apagado.
3. Abra la puerta y ubique los tornillos de la pared posterior superior del recipiente. Retire los dos tornillos.



4. Para retirar el panel posterior del recipiente, bájelo pasado el soporte del cucharón; puede girar el bucle de soporte del cucharón hacia abajo para tener más espacio.

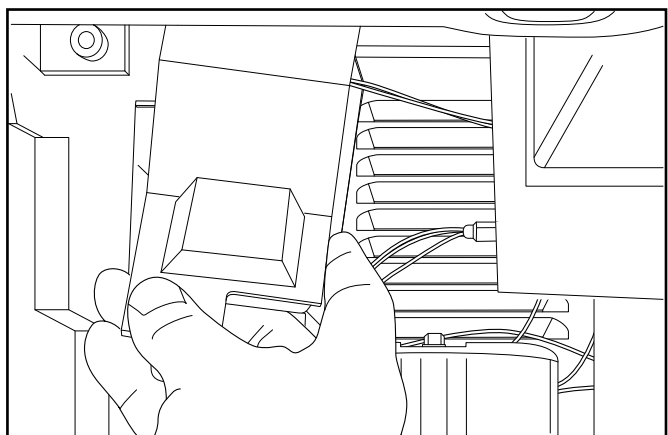


5. Ubique el interruptor de encendido/apagado de la válvula de agua. Para cerrar el agua, gire la perilla hacia la derecha 90 grados. La válvula se debe cerrar antes de que se pueda retirar la cubierta.



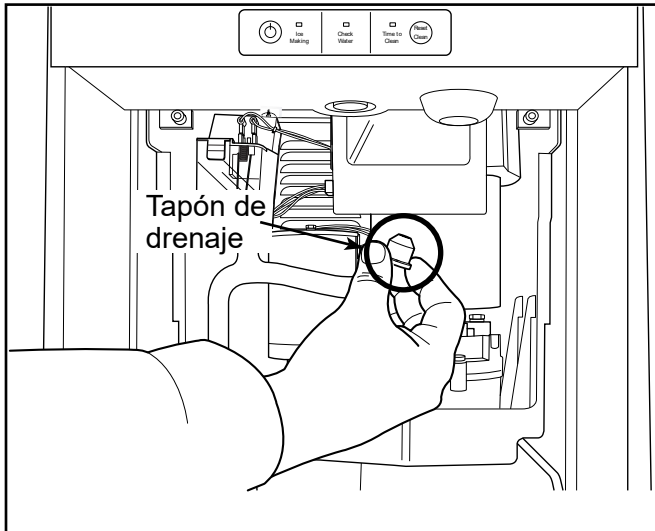
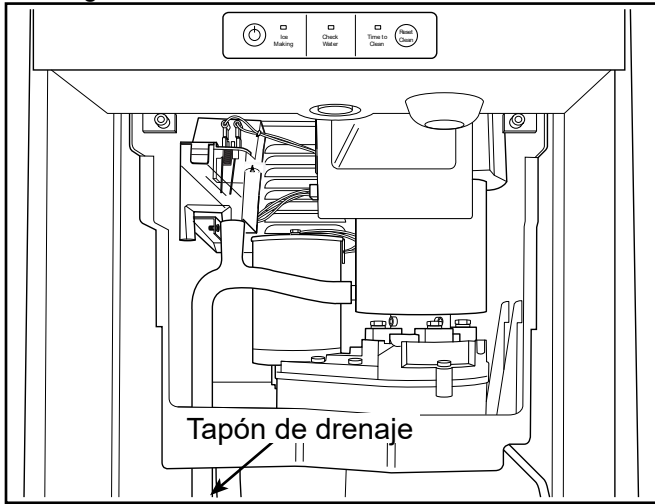
Lengüeta de presión

6. Empuje la lengüeta en el borde delantero de la cubierta del depósito y quite la tapa. Nota: Los hilos adyacentes son de bajo voltaje y no son peligrosos.



Levante la cubierta del depósito para retirarla

- Encuentre el tapón de drenaje y quite el tapón para drenar el depósito y el evaporador. Cuando termine el drenaje vuelva a colocar el tapón en su posición original.

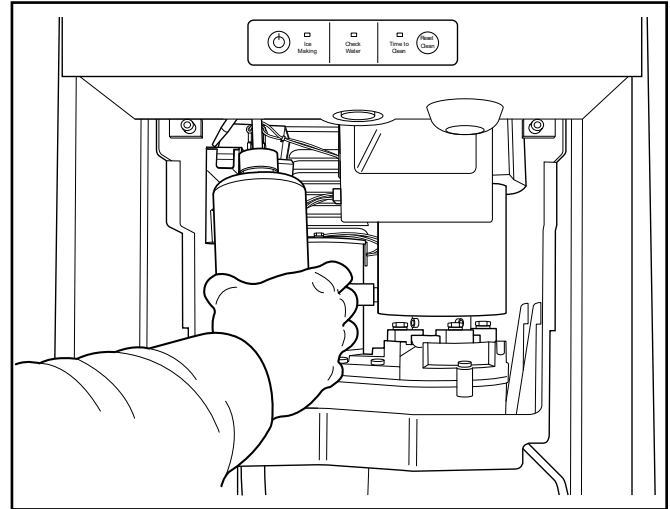


- Obtenga una solución de producto para quitar el sarro Clear 1 premezclada de Scotsman (con botella rociadora) o mezcle una solución de Clear 1 con agua: 74 ml (2.5 oz) de Clear 1 con 946 ml (1 qt) de agua tibia.

<p>⚠ ADVERTENCIA</p>	<p>El producto para quitar el sarro de la máquina de hielo contiene ácidos. El ácido puede provocar quemaduras.</p>
	<p>Si el limpiador concentrado entra en contacto con la piel, enjuague con agua. Si se traga, NO induzca al vómito. Beba grandes cantidades de agua o leche. Llame a un médico de inmediato. Mantenga fuera del alcance de los niños.</p>

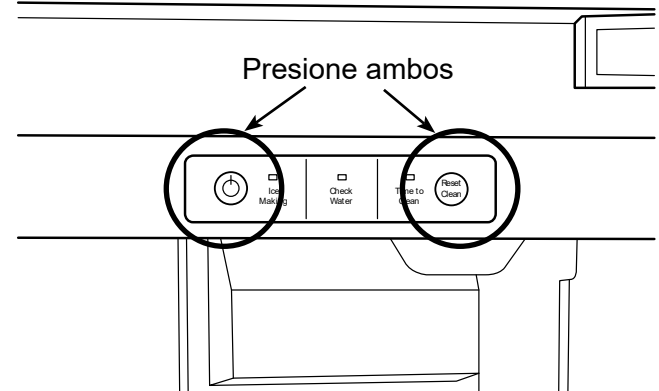
Nota: Tenga cuidado de no derramar eliminador de sarro en superficies cercanas. Limpie inmediatamente los derrames con bicarbonato de sodio y agua.

- Si mezcla, llene la botella rociadora de 473 ml (16 oz) con el producto para quitar el sarro diluido.
- Llene el depósito con solución de producto para quitar el sarro con una botella rociadora u otro recipiente. Eso será aproximadamente 237 ml (8 oz) o media botella rociadora.



Llene el depósito con la botella rociadora

- MANTENGA presionado los botones Reset-Clean (Restablecimiento de limpieza) y encendido/apagado durante 5 segundos. La luz Time To Clean parpadeará.



- El motor de la barrena por sí solo funcionará durante 10 minutos, después de eso, el compresor arrancará y, después de 5 a 8 minutos, la máquina comenzará a producir hielo. La luz Time to Clean ahora brillará fija hasta que se complete el ciclo de limpieza.

Precaución: Mantenga los dedos alejados de las piezas móviles.

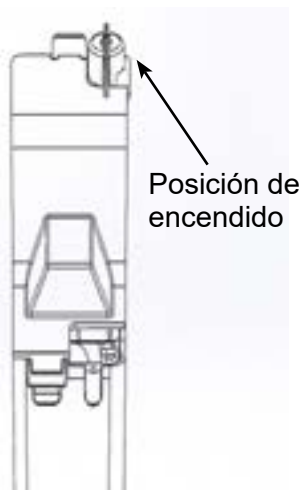
Después de que comience la producción de hielo, agregue continuamente eliminador de sarro al depósito para mantenerlo hasta la mitad.

Cuando se usen los 473 ml (16 oz) de solución, gire la perilla de la válvula de agua hacia la izquierda 90 grados para volver a abrir el agua.

Después de 40 minutos, se apagará la máquina de hielo y todas las luces del panel de control.

13. Saque nuevamente el tapón de drenaje para drenar el sistema, luego vuelva a colocarlo.
14. Regrese la cubierta del depósito a su posición original. La válvula de agua se debe cerrar antes de que se pueda volver a colocar la cubierta.

15. Vuelva a poner la pared superior posterior del recipiente en su posición original y fíjela con los tornillos originales. Empújela para que encaje en posición.



16. Vierta 3.8 L (un galón) de agua caliente (35 °C/95 °F a 46 °C/115 °F) en el recipiente para enjuagar el drenaje y derretir todo el hielo que se hizo durante el proceso de limpieza. Asegúrese de que se derrita todo el hielo.

*Para modelos solo con bomba

17. Friegue el sarro mineral del revestimiento del recipiente con lo que quede de solución de producto para quitar el sarro del revestimiento. Si no queda, mezcle una solución de 74 ml (2.5 oz) de producto para quitar el sarro Clear 1 y 0.9 L (1 cuarto de galón) de agua.

*17a. Después de que se derrita el hielo, vierta 0.9 L (1 cuarto de galón) de agua por el drenaje del recipiente hasta que se encienda la bomba. Una vez que la bomba se encienda, deténgase INMEDIATAMENTE.

*17b. Una vez que se apague la bomba, agregue una mezcla de 296 ml (10 oz) de agua y 118 ml (4 oz) de producto para quitar el sarro Clear 1 de Scotsman en el drenaje del recipiente. Si la bomba funciona durante este proceso, repita el paso 17a; asegúrese de dejar de verter tan pronto como se encienda la bomba. Luego, repita el paso 17b. Deje que la máquina se mantenga en estado apagado por 1/2 hora.

18. Enjuague el revestimiento con agua caliente.

Desinfecte el interior del recipiente

*Para modelos solo con bomba

19. Cree una solución de 4 litros (1 galón) de agua potable limpia tibia (41 a 46 °C [105 a 115 °F]) con 47 ml (1.6 oz) de desinfectante localmente aprobado y desinfecte el interior del recipiente y purgue el drenaje.

*19a. Vierta 0.9 L (1 cuarto de galón) de agua por el drenaje del recipiente hasta que se encienda la bomba. Una vez que la bomba se encienda, deténgase INMEDIATAMENTE.

*19b. Una vez que la bomba se apague, mezcle 384 ml (13 oz) de agua potable limpia tibia (41 a 46 °C [105 a 115 °F]) con 30 ml (1 oz) de desinfectante localmente aprobado para desinfectar el interior del recipiente. Si la bomba funciona durante este proceso, repita el paso 19a; asegúrese de dejar de verter tan pronto como se encienda la bomba. Luego, repita el paso 19b. Deje que la máquina se mantenga en estado apagado por 10 minutos.

20. Enjuague el revestimiento con agua caliente.

21. Presione y suelte el botón de encendido/apagado para reiniciar la producción de hielo.

El cucharón de hielo se debe lavar con regularidad; lávelo como cualquier otro recipiente de alimentos.

Otros mantenimientos

Nota: Es normal que se forme algo de sarro en la cubierta del reductor de engranajes. Limpie el sarro suelto.

Inspección del cojinete sellado

1. Retire la máquina de hielo del mostrador.
2. Saque el panel superior.
3. Este es un cojinete sin grasa. Puede haber oxidación negra, lo que es normal; revise si hay y limpie. Inspeccione si hay desgaste y óxido en el sello del cojinete. Llame al servicio técnico si encuentra uno de estos.

Baja capacidad

- Revise si hay un drenaje restringido o agua estancada en el recipiente
- Limpie las aletas del condensador enfriado por aire
- Limpie el sistema de producción de hielo

No hay hielo

- Revise el interruptor de encendido/apagado
- Revise el disyuntor eléctrico
- Si la luz Check Water (Revisar agua) parpadea de color rojo, revise el suministro de agua. El sistema de control revisa el agua cada 20 minutos. Cuando se restaure el suministro de agua, la máquina reiniciará automáticamente la producción de hielo.
- Si todas las luces están parpadeando, el motor de la barrena se ha sobrecargado o no está funcionando. Llame al servicio técnico.*

La luz Time to Clean está encendida

- Limpie el sistema de producción de hielo.

Funcionamiento errático de la bomba de drenaje (solo modelos con bomba)

- Elimine el sarro y desinfecte el recipiente. Consulte las páginas 13-15.
 - » Si el problema continúa, comuníquese con un proveedor de servicio local.

* Nota técnica: Un parpadeo reiterado indica una sobrecarga, dos parpadeos reiterados indican un motor abierto. Para restablecer, presione el botón de encendido/apagado.

Un parpadeo reiterado indica una sobrecarga.

Dos parpadeos reiterados indican un motor abierto. Para restablecer, presione el botón de encendido/apagado.

Exceso de hielo debido a la gran altitud

Las máquinas de hielo instaladas a altitudes superiores a 6,000 pies (1,800 metros) sobre el nivel del mar requieren un ajuste de altitud para garantizar que el termostato del depósito mantenga el nivel de hielo adecuado.

El tornillo de ajuste de altitud se encuentra dentro del termostato del depósito. Puede localizarse a través de la abertura situada justo delante de los conectores terminales.

Instrucciones de ajuste de altitud

1. Desconecte la alimentación eléctrica o desenchufe la máquina.
2. Retire el panel de acceso frontal.
3. Ubique y retire el termostato del depósito quitando los dos tornillos que lo sujetan a la máquina.
4. Dentro del termostato del depósito, localice el tornillo interno de ajuste de altitud.
5. Utilizando una llave hexagonal en forma de L de 1/16 pulgada (1,6 mm), coloque la llave en la posición de las 12 en punto para comenzar.
6. Usando la tabla que aparece a continuación, gire la llave en sentido antihorario hasta alcanzar la altitud deseada.
7. Una vez ajustado correctamente según la altitud del lugar de instalación, reinstale el termostato del depósito en su posición original.
8. Vuelva a colocar el panel de acceso inferior, restablezca la alimentación eléctrica y luego encienda la máquina para reanudar la producción de hielo.
9. Con un cubo de hielo, verifique el funcionamiento correcto del termostato del depósito después del ajuste.

Pies / Metros sobre el nivel del mar	Rotación en sentido antihorario desde la posición de las 12 en punto
6000 ft. / 1800 m	9:45
8000 ft. / 2400 m	9:00
10,000 ft. / 3000 m	8:00

Solo use a un técnico calificado que esté familiarizado con el refrigerante R290 para retirar de servicio, ya que se requieren herramientas y recipientes especiales para el retiro, el transporte y la eliminación de propano altamente inflamable.

Se recomienda el uso de buenas prácticas de operación para mantener la seguridad y seguir las pautas locales, estatales y federales para la eliminación adecuada.

- Antes de intentar realizar el procedimiento, asegúrese de contar con todas las herramientas y equipos mecánicos necesarios.
- Se debe usar toda la indumentaria de protección todo el tiempo y tener equipos de recuperación y cilindros a mano.
- Todos los recipientes que se usen para la recuperación deben tener etiquetas adecuadas que muestren que se pueden usar para refrigerante R290.
- Antes de comenzar con la recuperación del refrigerante, coloque los refrigerantes en básculas. Al llenar los recipientes, no supere el 80 % del volumen y no exceda la presión de trabajo del recipiente.
- Antes de usar la máquina de recuperación, asegúrese de que esté en buenas condiciones y de que los componentes eléctricos estén correctamente sellados para evitar cualquier tipo de ignición.
- El refrigerante recuperado no se debe cargar en otro sistema de refrigeración ni se debe mezclar en otro recipiente.
- Cuando traslade el refrigerante de un sistema, use buenas prácticas para trasladar todos los refrigerantes de manera segura.
- Todo el refrigerante recuperado se debe devolver al proveedor de refrigerante para su eliminación adecuada.
- Si se retira el compresor o los aceites del compresor, asegúrese de que se han retirado a un nivel aceptable, de modo que el refrigerante inflamable no quede en el lubricante.

SCOTSMAN ICE SYSTEMS
101 Corporate Woods Parkway
Vernon Hills, IL 60061
800-726-8762
www.scotsman-ice.com