

DCE33 - 30 lb Gourmet Clear Ice Machine

Legacy Under-Counter Gourmet Ice Machine



Features

- 15" cabinet width
- Produces up to 30 lbs. of gourmet ice in 24 hours
- Maintains ideal bin capacity with automatic shut-off and restart
- Accepts custom wood panels to match your decor
- Aluminum door with brushed stainless steel finish and matching exposed door frame
- Available with built-in drain pump
- Available in stainless steel finish only
- Field reversible door
- Stainless wrap-around door with towel bar handle available as an accessory (KSS model)

24 Hour Ice Production & Storage Capacity

| 70°F/21°C Air 50°F/10°C Water lb / kg | 90°F/32°C Air 70°F/21°C Water lb / kg | Bin Storage Capacity lb / kg |
|---|---|---------------------------------|
| 30 / 13.6 | 16 / 7.2 | 26 / 12 |



Gourmet Clear Ice



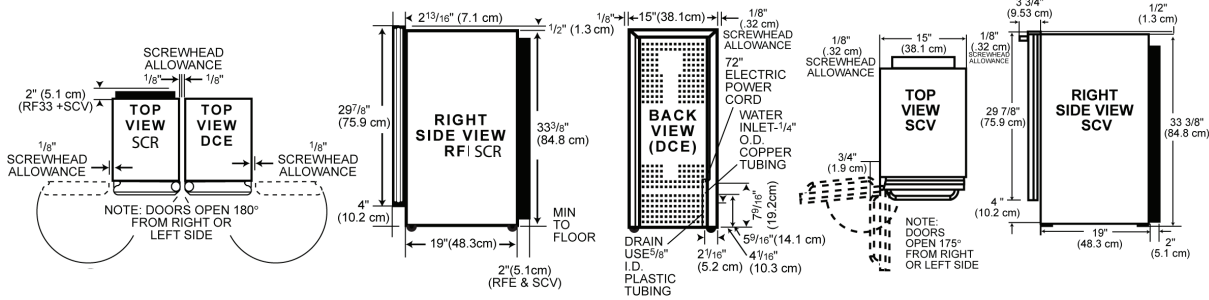
Gourmet Cube
1" x 1 1/8" x 1 1/4"
(2.54 x 2.86 x 3.18 cm)

Large, slow-melting ice form, ideal for beverages.

Warranty

- 1 years parts and labor on all components.
- 5 years parts on the compressor only.

Warranty valid in North America.



- Water supply line not included.
- Pump model: 3/8" drain line "included"
- Gravity model: 5/8" drain line "field supplied"

All Models

24 Hour Ice Production:
(70 deg. Air/50 deg. Water)
30 lb / 13.6 kg
(90 deg. Air / 70 Deg. Water)
16 lb / 7.2 kg

Bin Storage Capacity:
26 lb / 12 kg

Condenser Type:
Air

Basic Electrical:
(Volts/Hz/Phase)
115/60/1

Amps:
3.6

Maximum Fuse Size:
15

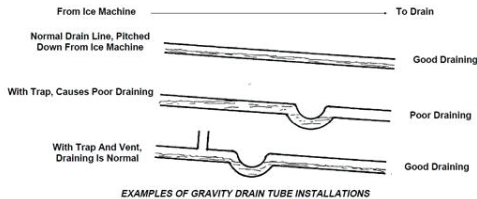
Refrigerant:
R-134A

Dimensions (W x D x H):
Unit (without legs adjusted):
15" x 22.8125" x 33.875"
(38.1 x 57.94 x 86.04 cm)

Shipping Carton:
18" x 28" x 38"
(45.7 x 71.1 x 96.5 cm)

Specifications

| Model | Finish Cabinet / Front | Drain Type | Shipping Weight lb / kg |
|--------------|----------------------------|------------|-------------------------|
| DCE33A-1SSD | Stainless Steel / Aluminum | Gravity | 83 / 38 |
| DCE33PA-1SSD | Stainless Steel / Aluminum | Pump | 83 / 38 |



DCE33A: Gravity flow drain tube
DCE33PA: Built-in pump to expel drain water which includes 10' drain tube

Accessories

| Model | Description | Shipping Weight lb / kg |
|--------------|--|-------------------------|
| KHAND | Custom Handle Trim Piece (Top) | 1 / 0.45 |
| KSS SS-33 | Wrap Around Stainless Steel Door Sleeve Kit Stainless Steel Front Panel Kit | 12 / 5.5 9 / 4 |

Operating Requirements

| | Minimum | Maximum |
|---------------------------|-------------------|-------------------|
| Air Temperatures | 50°F (10°C) | 100°F (38°C) |
| Water Temperatures | 40°F (4.4°C) | 100°F (38°C) |
| Water Pressures | 20 PSIG (1.4 bar) | 80 PSIG (5.5 bar) |
| Electrical Voltage | -10% | +10% |

Machine requires voltage indicated on rating name plate. Failures caused by improper voltage are not considered factory defects. Scotsman products, except model SCCG50MB-1SS & SCCP50MB-1SS, SCN60 are not designed for outdoor installations nor for installation where air temperatures fall below 50°F. or exceed 100°F., nor where water temperatures fall below 40°F. or exceed 100°F. Extended periods of operation at temperatures exceeding these limitations constitute misuse under the terms of Scotsman Manufacturer's Limited Warranty, resulting in a loss of warranty coverage. Refer to owner's manual for all installation requirements. Please note: when installed in a corner, the door swing may be limited due to handle contact with the wall or cabinet face.